

Excellent Integrated System Limited

Stocking Distributor

Click to view price, real time Inventory, Delivery & Lifecycle Information:

[FCI](#)
[77427-103LF](#)

For any questions, you can email us directly:
sales@integrated-circuit.com

| LEAD-FREE PART NUMBER | DIM A ϕ | DIM B ϕ | DIM C ϕ | DIM D ϕ | CABLE TYPE | IMPEDANCE | PLATING CODE X | PLATING CONTACT AREA 1 AND 3 | PLATING CONTACT AREA 2 AND 4 |
|-----------------------|--------------|--------------|--------------|--------------|---------------------------------|-----------|----------------|------------------------------|------------------------------|
| | | | | | | | | | |
| 77427-X21LF | 1.70 | 2.70 | 3.20 | 3.80 | RG174 A/U RG188 A/U RG316 /U | 50 Ohm | | | |
| 77427-X31LF | 1.70 | 2.70 | 3.58 | 4.30 | RG316/U2 SHIELDED | 50 Ohm | | | |

A

B

C

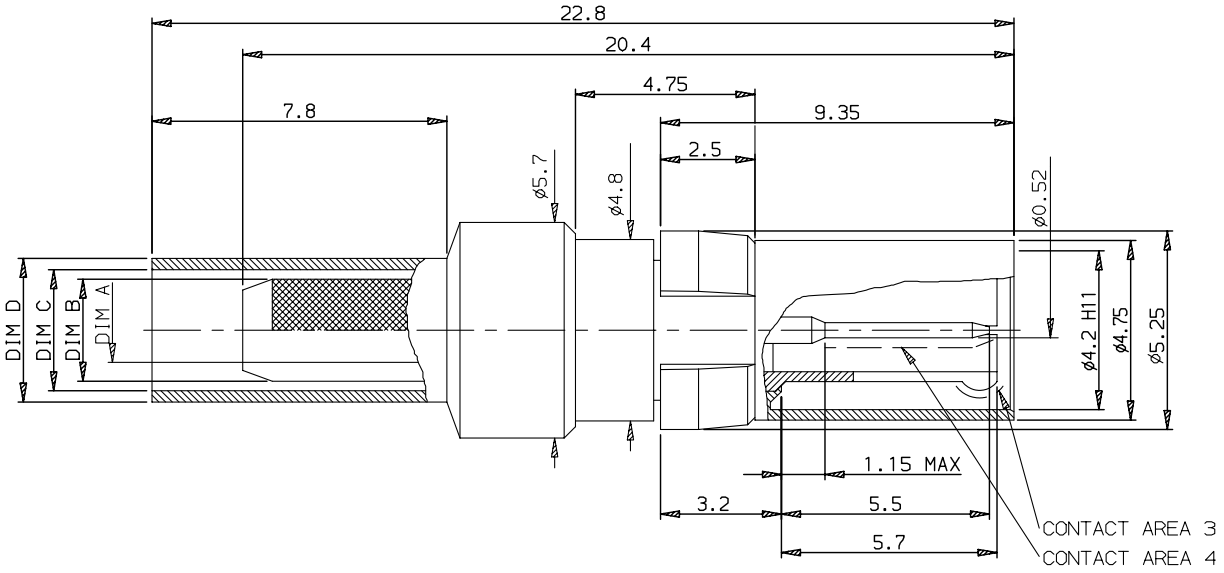
D

A

B

C

D



NOTES:

- 1.UNDERPLATING Ni
- 2.DIMENSIONS ACCORDING DIN 41626
- 3.THIS PRODUCT WITH "LF" SUFFIX MEETS EUROPEAN UNION DIRECTIVES AND OTHER COUNTRY REGULATIONS AS DESCRIBED IN GS -22-008.
- 4.THE PRODUCT IS NOT INTENDED TO BE EXPOSED TO A MANUFACTURING SOLDER PROCESS.
- 5.PACKAGING SPEC: SEE GS-14-920

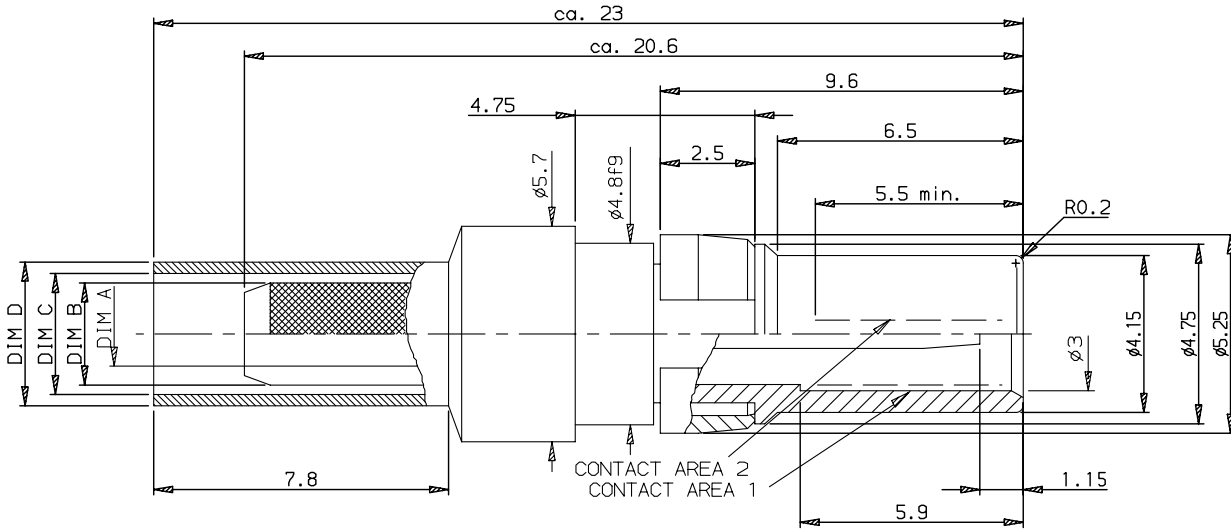
European Views

| | | | | | | |
|---------------------------------------|----------|------------|---|-----------------------------------|----------------|-----------------------|
| www.fciconnect.com | | | surface 150 1302 <input checked="" type="checkbox"/> | tolerance std 150 406 150 1101 | projection | mm |
| TOLERANCES UNLESS OTHERWISE SPECIFIED | | | | | | |
| Dr | GOISNARD | 2006/03/06 | ANGULAR | 0.X | ±0.1 | size |
| Eng | GOISNARD | 2006/03/06 | LINEAR | 0.XX | ±0.1 | A3 |
| Chr | LEGARE | 2006/03/06 | 0.XX* | 0.XXX | ±0.1 | Scale 10 |
| Appr | LEGARE | 2006/03/06 | Product family | BACKPANEL | | ECN L508-0057 |
| | | | | | Spec ref - | |
| FCI MALE COAX | | | | | | cat no |
| INSERT STRAIGHT CTW | | | | | | 77427 |
| catalog no | | | | | | CUSTOMER sheet 1 of 5 |

| rev | ecn no | dr | date |
|-----|-----------|-----|------------|
| N | L508-0022 | LGO | 2006/03/06 |
| P | L507-0214 | LGO | 2007/08/20 |
| R | L508-0057 | LGO | 2008/02/18 |
| - | - | - | - |
| - | - | - | - |
| - | - | - | - |
| - | - | - | - |

REV F - 2008-04-17

| LEAD-FREE PART NUMBER | DIM A ϕ | DIM B ϕ | DIM C ϕ | DIM D ϕ | CABLE TYPE | IMPEDANCE |
|-----------------------|--------------|--------------|--------------|--------------|--|-----------|
| 77427-X12LF | 1.05 | 1.70 | 2.25 | 3.20 | R6178B/U R6196A/U | 50 Ohm |
| 77427-X22LF | 1.70 | 2.70 | 3.20 | 3.80 | R6174A/U R6179B/U R6187A/U R6188A/U R6316/U | 50 Ohm |
| 77427-X32LF | 1.70 | 2.70 | 3.58 | 4.30 | L910/9-/19 | 50 Ohm |

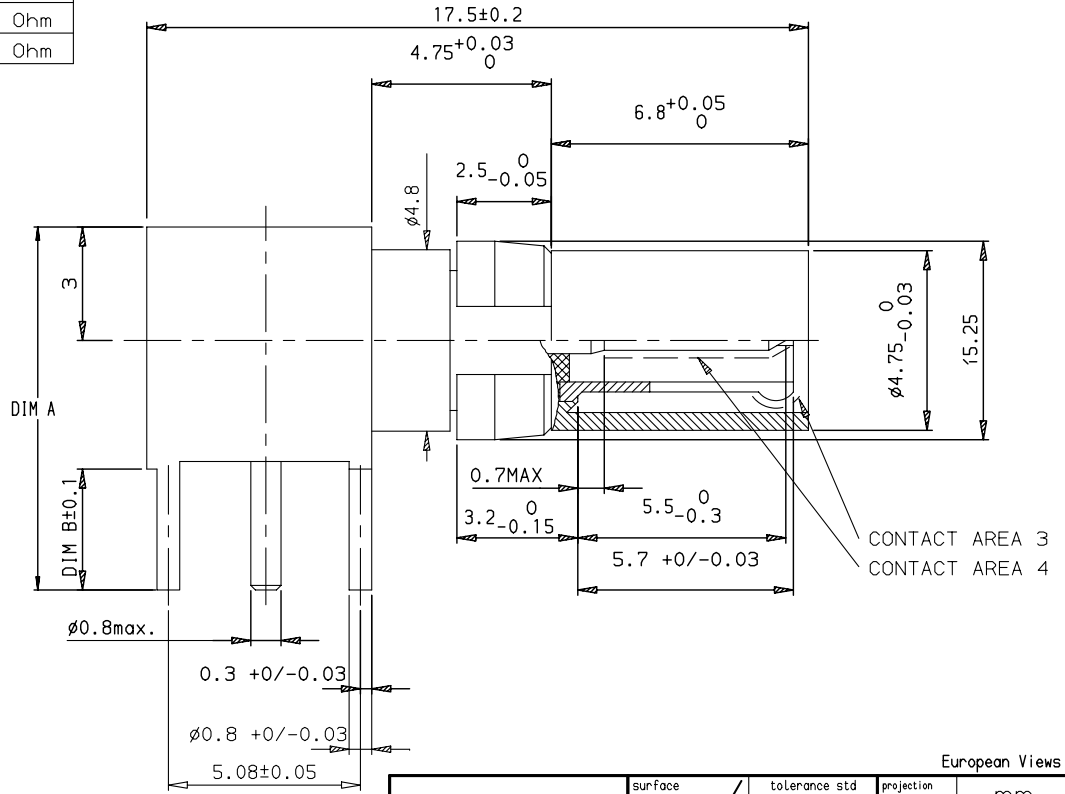


- NOTES:
1. UNDERPLATING Ni
 2. DIMENSIONS ACCORDING DIN 41626
 3. THIS PRODUCT WITH "LF" SUFFIX MEETS EUROPEAN UNION DIRECTIVES AND OTHER COUNTRY REGULATIONS AS DESCRIBED IN GS-22-008.
 4. THE PRODUCT IS NOT INTENDED TO BE EXPOSED TO A MANUFACTURING SOLDER PROCESS.
 5. PACKAGING SPEC: SEE GS-14-920
 6. CONTACT AREA PLATING: SEE SHEET 1

| | | | | | |
|---|----------|---------------------------------------|-----------------------------------|------------------|----------------|
| www.fciconnect.com | | surface ISO 1302 | tolerance std ISO 406 ISO 1101 | projection mm | European Views |
| | | TOLERANCES UNLESS OTHERWISE SPECIFIED | | | |
| Dr | GOISNARD | 2006/03/06 | ANGULAR | 0.X | ±0.1 |
| Eng | GOISNARD | 2006/03/06 | LINEAR | 0.XX | ±0.1 |
| Chr | LEGARE | 2006/03/06 | 0.XX ±2° | 0.XXX | ±0.1 |
| Appr | LEGARE | 2006/03/06 | Product family | BACKPANEL | Spec ref - |
| FCI COAX INSERT FEMALE STRAIGHT CTW | | | catLog no | 77427 | Rev. R |
| | | | | CUSTOMER | sheet 2 of 5 |

REV F - 2006-04-17

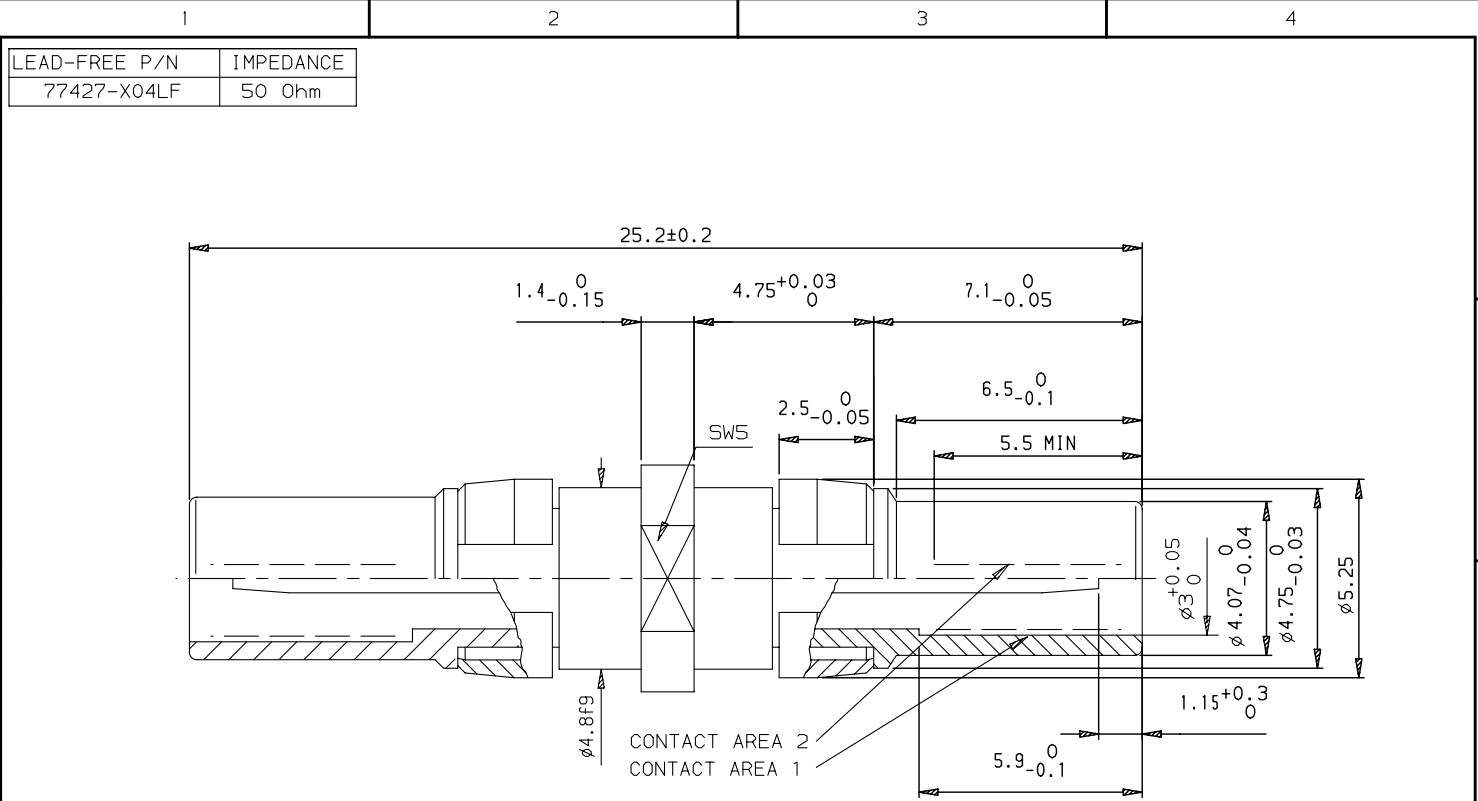
| LEAD-FREE PART NUMBER | DIM A | DIM B | IMPEDANCE |
|-----------------------|-------|-------|-----------|
| 77427-X03LF | 9.6 | 3.2 | 50 Ohm |
| 77427-X13LF | 10.4 | 4.0 | 50 Ohm |



- NOTES:
1. UNDERPLATING Ni
 2. DIMENSIONS ACCORDING TO DIN 41626
 3. GENERAL TOLERANCE ±0.10
 4. THIS PRODUCT WITH "LF" SUFFIX MEETS EUROPEAN UNIDIRECTIVES AND OTHER COUNTRY REGULATIONS AS DESCRIBED IN GS -22-008.
 5. THE PRODUCT WILL WITHSTAND 260 DEGREE PEAK TEMPERATURE FOR 30 SECONDS IN A WAVE SOLDER APPLICATION WITH 1.6mm MINIMUM THICK CIRCUIT BOARD, MANUFACTURING SOLDER PROCESS.
 6. PACKAGING SPEC: SEE GS-14-920

| | | | | | |
|----------------------|----------|---------------------------------------|-----------------------------------|------------------|----------------|
| www.fciconnect.com | | surface ISO 1302 | tolerance std ISO 406 ISO 1101 | projection mm | European Views |
| | | TOLERANCES UNLESS OTHERWISE SPECIFIED | | | |
| Dr | GOISNARD | 2006/03/06 | ANGULAR | 0.X | ±0.1 |
| Eng | GOISNARD | 2006/03/06 | LINEAR | 0.XX | ±0.1 |
| Chr | LEGARE | 2006/03/06 | 0.XX | ±2° | ±0.1 |
| Appr | LEGARE | 2006/03/06 | Product family | BACKPANEL | Spec ref - |
| FCI MALE COAX | | | | size | A3 |
| INSERT R. A. STB | | | | Scale | 10 |
| catalog no | | | | ECN | LS08-0057 |
| | | | | Rev. | R |
| | | | | 77427 | |
| | | | | CUSTOMER | sheet 3 of 5 |

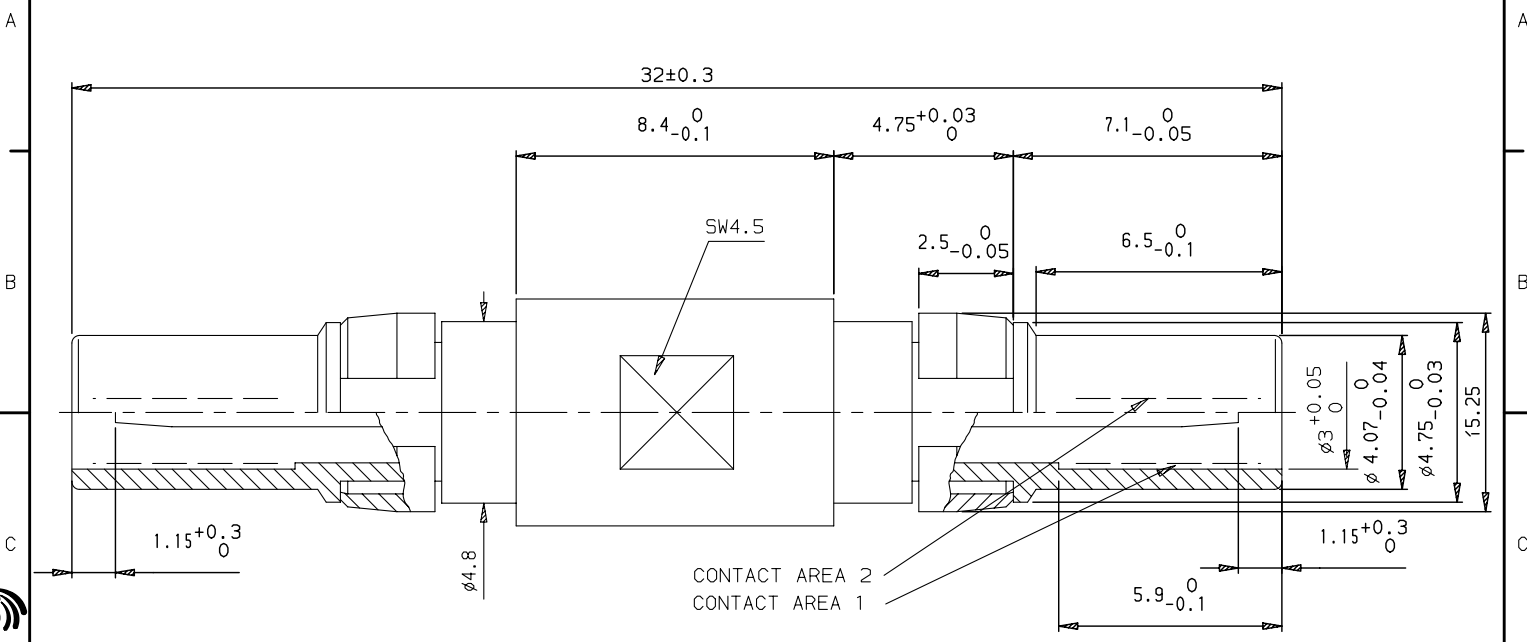
REV F - 2006-04-17



- NOTES:
- 1.UNDERPLATING Ni
 - 2.DIMENSIONS ACCORDING TO DIN 41626
 - 3.GENERAL TOLERANCE ±0.10
 - 4.THIS PRODUCT WITH "LF" SUFFIX MEETS EUROPEAN UNION DIRECTIVES AND OTHER COUNTRY REGULATIONS AS DESCRIBED IN GS -22-008.
 - 5.THE PRODUCT IS NOT INTENDED TO BE EXPOSED TO A MANUFACTURING SOLDER PROCESS.
 - 6.PACKAGING SPEC: SEE GS-14-920
 - 7.CONTACT AREA PLATING: SEE SHEET 1

| | | | | | |
|--|----------|---------------------------------------|-----------------------------------|------------------|-----------------------|
| www.fciconnect.com | | surface ISO 1302 | tolerance std ISO 406 ISO 1101 | projection mm | European Views |
| | | TOLERANCES UNLESS OTHERWISE SPECIFIED | | | |
| Dr | GOISNARD | 2006/03/06 | ANGULAR | 0.X | ±0.1 |
| Eng | GOISNARD | 2006/03/06 | LINEAR | 0.XX | ±0.1 |
| Chr | LEGARE | 2006/03/06 | 0.XX ±2° | 0.XXX | ±0.1 |
| Appr | LEGARE | 2006/03/06 | Product family | BACKPANEL | Spec ref - |
| FCI COAX COUPLER FEMALE 50 SHORT | | | | cat no | 77427 |
| catalog no | | | | | CUSTOMER sheet 4 of 5 |

| | |
|---------------|-----------|
| LEAD-FREE P/N | IMPEDANCE |
| 77427-X05LF | 50 Ohm |



- NOTES:
- 1.UNDERPLATING Ni
 - 2.DIMENSIONS ACCORDING TO DIN 41626
 - 3.GENERAL TOLERANCE ±0.10
 - 4.THIS PRODUCT WITH "LF" SUFFIX MEETS EUROPEAN UNIDIRECTIVES AND OTHER COUNTRY REGULATIONS AS DESCRIBED IN GS -22-008.
 - 5.THE PRODUCT IS NOT INTENDED TO BE EXPOSED TO A MANUFACTURING SOLDER PROCESS.
 - 6.PACKAGING SPEC: SEE GS-14-920
 - 7.CONTACT AREA PLATING: SEE SHEET 1

| | | | | | | | |
|-------------------------|----------|------------|----------------|---------------------------------------|-----------------------------------|------------------|--------------|
| www.fciconnect.com | | | | surface 150 1302 | tolerance std 150 406 ISO 1101 | projection mm | Scale 10 |
| | | | | TOLERANCES UNLESS OTHERWISE SPECIFIED | | | |
| Dr | GOISNARD | 2006/03/06 | ANGULAR | 0.X | ±0.1 | size A3 | Scale 10 |
| Eng | GOISNARD | 2006/03/06 | LINEAR | 0.XX | ±0.1 | ECN | LS08-0057 |
| Chr | LEGARE | 2006/03/06 | 0.XX ±2° | 0.XXX | ±0.1 | Spec ref | - |
| Appr | LEGARE | 2006/03/06 | Product family | BACKPANEL | | | |
| FCI COAX COUPLER | | | | | | 77427 | Rev. R |
| FEMALE 50 LONG | | | | | | CUSTOMER | sheet 5 of 5 |
| catalog no | | | | | | | |

REV F - 2006-04-17