

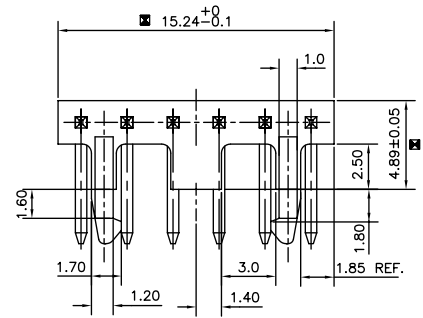
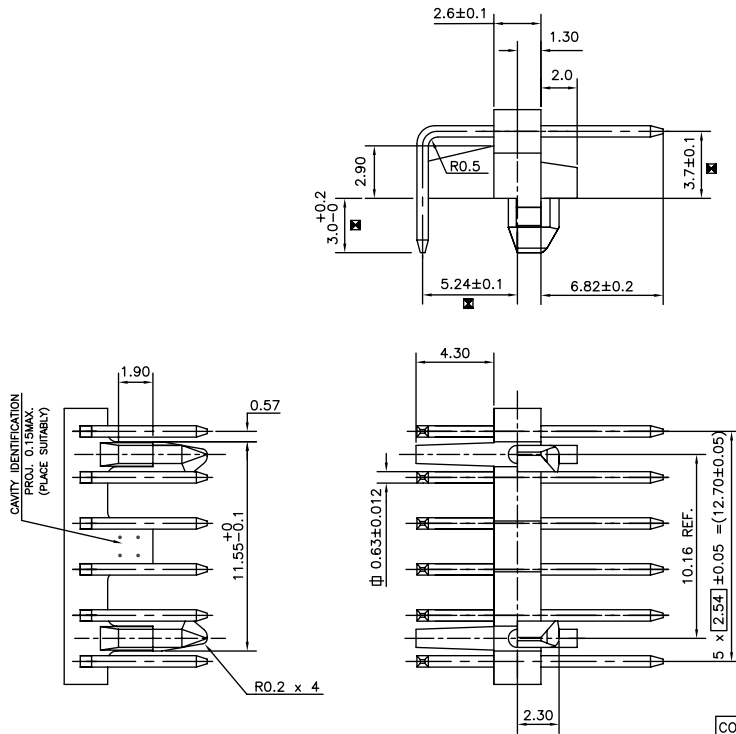
Excellent Integrated System Limited

Stocking Distributor

Click to view price, real time Inventory, Delivery & Lifecycle Information:

[FCI](#)
[861400061LO1LK2](#)

For any questions, you can email us directly:
sales@integrated-circuit.com



NOTE

1. RETENTION FORCE PER CONTACT IS 20 N MIN.
2. LENGTH OF CONTACT TO BE USED IS 19.90±0.1
3. SIGNIFICANT CHARACTERISTIC
4. PLATING: 3-5μ Sn/SnPb Ni UNDERCOAT 1.27μ .
5. THE PRODUCT (LF) MEETS EUROPEAN UNION DIRECTIVES AND OTHER COUNTRY REGULATIONS AS DESCRIBED IN GS-22-008

CONNECTOR PART NO :- 8614-00-06-1-LO-1-LK2-XX

LF :-LEAD FREE

mat'l. code		REF TECH SPEC		surface		tolerance		projection		product family	
ltr	ecn no	dr	date	ISO 1302	ISO 406	ISO 1101	tolerances unless otherwise specified	MM	MM	8614	
C	106-0124	MKV	2003-06-20	angles	linear	0±0.1		scale		title	
D	106-0116	AB	2006-07-20	0°±1°						6-PIN A/S HEADER ASSEMBLY	
				dr	MINI K VANDANATHI	1998-01-28				dwg no	sheet 1 of 1
				enr	BIJU K P	1998-01-28				C-8614-0039	size
				chr	ALEX BABU	2006-01-20					A3
				appd	BIJU K P	2006-07-20				type	Product Customer Drawing
sheet index	revision sheet	C	D								
		1	1								

PDM: Rev:D

STATUS:Released

Printed: Aug 01, 2006