

## Excellent Integrated System Limited

Stocking Distributor

Click to view price, real time Inventory, Delivery & Lifecycle Information:

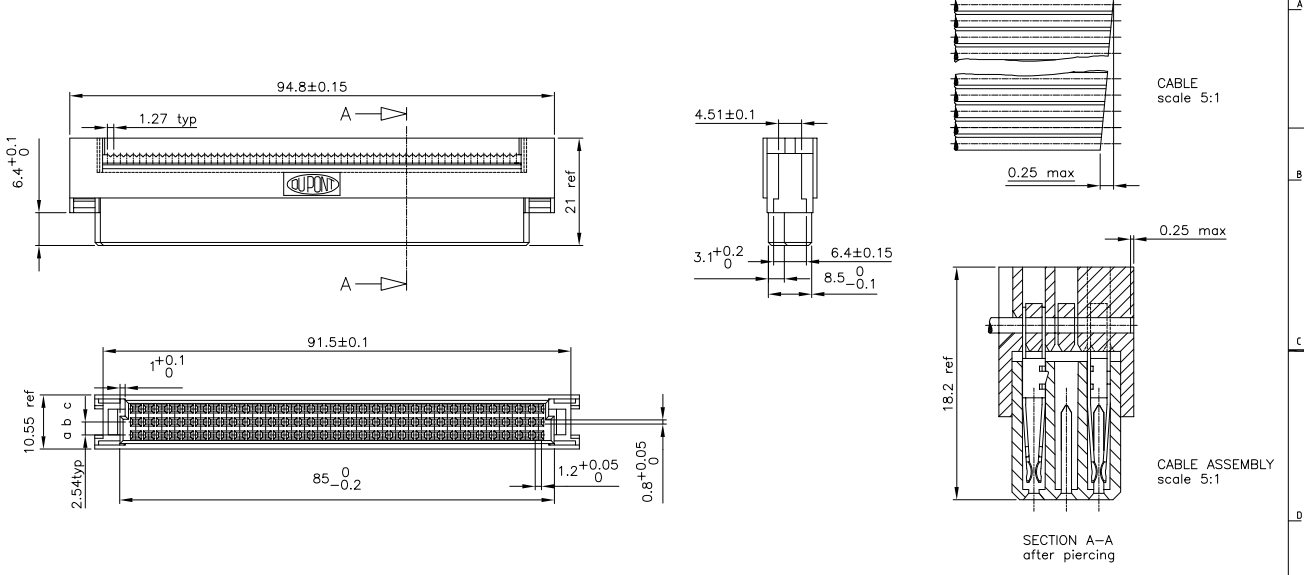
[FCI](#)

[75859-101LF](#)

For any questions, you can email us directly:

[sales@integrated-circuit.com](mailto:sales@integrated-circuit.com)

PRODUCT NUMBER	ROW	1	2	3	4	5	6	7	8	9	10	11	12	13	14	15	16	17	18	19	20	21	22	23	24	25	26	27	28	29	30	31	32	
75859-X01	a	X	X	X	X	X	X	X	X	X	X	X	X	X	X	X	X	X	X	X	X	X	X	X	X	X	X	X	X	X	X	X	X	X
	b	X	X	X	X	X	X	X	X	X	X	X	X	X	X	X	X	X	X	X	X	X	X	X	X	X	X	X	X	X	X	X	X	X
	c	X	X	X	X	X	X	X	X	X	X	X	X	X	X	X	X	X	X	X	X	X	X	X	X	X	X	X	X	X	X	X	X	X
75859-X02	a	X	X	X	X	X	X	X	X	X	X	X	X	X	X	X	X	X	X	X	X	X	X	X	X	X	X	X	X	X	X	X	X	X
	b	X	X	X	X	X	X	X	X	X	X	X	X	X	X	X	X	X	X	X	X	X	X	X	X	X	X	X	X	X	X	X	X	X
	c	X	X	X	X	X	X	X	X	X	X	X	X	X	X	X	X	X	X	X	X	X	X	X	X	X	X	X	X	X	X	X	X	X



NOTES:  
 1. MATERIAL HOUSING: THERMOPLASTIC POLYESTER 30% GLASS FILLED, FLAME RETARDANT PER UL-94-V0  
 COLOUR HOUSING: GREY, COLOUR COVER: BLACK  
 2. MATERIAL CONTACT: PHOSPHOR BRONZE  
 3. CAN BE MATED WITH 3 ROW MALE CONNECTOR CONFORM DIN 41612 - FORM C  
 4. CAN BE USED WITH STRAINRELIEF P/N 65142-001  
 5. "LF" SUFFIX TO THE PRODUCT NUMBER FOR LEAD FREE OR RoHS COMPATIBLE PRODUCTS.

NOTE:  
 1. THE "LF" PRODUCTS MEET EUROPEAN UNION DIRECTIVES AND OTHER COUNTRY REGULATIONS AS DESCRIBED IN GS-22-008.  
 2. LEAD FREE OR RoHS DIRECTIVE LABELLING TO BE PROVIDED AS PER GS-14-920 FOR LEAD FREE VERSION.

75859-4YY	2.0 umAu	min over 3 umNi	0.1-0.2 umNi
75859-2YY	0.5 umAu <td>min over 3 umNi</td> <td>0.1-0.2 umNi</td>	min over 3 umNi	0.1-0.2 umNi
75859-1YY	1.0 umAu <td>min over 3 umNi</td> <td>0.1-0.2 umNi</td>	min over 3 umNi	0.1-0.2 umNi
75859-0YY	3.0 umAu <td>min over 3 umNi</td> <td>0.1-0.2 umNi</td>	min over 3 umNi	0.1-0.2 umNi
PLATING CODE X	contact area	PLATING	piercing area

mat'l. code	surface	tolerance	projection	product family
see table	ISO 1302	ISO 456	ISO 10118	BACKPANEL
Utr. etch no. dr. date	tolerances unless otherwise specified	mm	mm	title
X H200905 MM 1999-09-31	linear	scale	scale	QUICKIE FEMALE
L H20166 MM 1999-03-31				64 Pos P.L. ASSEMBLY
M 105-01388 MM 2008-08-06				dwg no. 75859
N 105-00862 MM 2008-08-06	Engl. M. Vischers 1992-03-31			sheet 1 of 1 size A2
	Engl. RAMES GEORGE 2008-08-01			Type CUSTOMER Drawing
	DDP RAMES GEORGE 2008-08-01			
sheet index	revision N			
	sheet 1			