

## Excellent Integrated System Limited

Stocking Distributor

Click to view price, real time Inventory, Delivery & Lifecycle Information:

[FCI](#)

[86552220TLF](#)

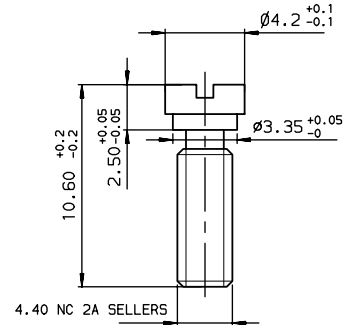
For any questions, you can email us directly:

[sales@integrated-circuit.com](mailto:sales@integrated-circuit.com)

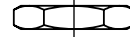
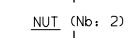
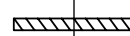
SHELL	PART NUMBERS	A <sup>+0.25</sup>	B <sup>+0.15</sup>	C <sup>+0.25</sup>	D <sup>+0.25</sup>	E <sup>+0.25</sup>	F <sup>+0.25</sup>	G <sup>+0.25</sup>	Packaging
25	86552220T	57.75	49.55	43.40	50.70	12.50	8.65	9.85	1 piece
25	86552220TLF	57.75	49.55	43.40	50.70	12.50	8.65	9.85	1 piece

MATERIAL:  
Metal plate:stainless steel  
Screw,nut and washer:steel

SCREW THREAD UNC 4.40 (Nb: 2)



LOCKING WASHER (Nb: 2)



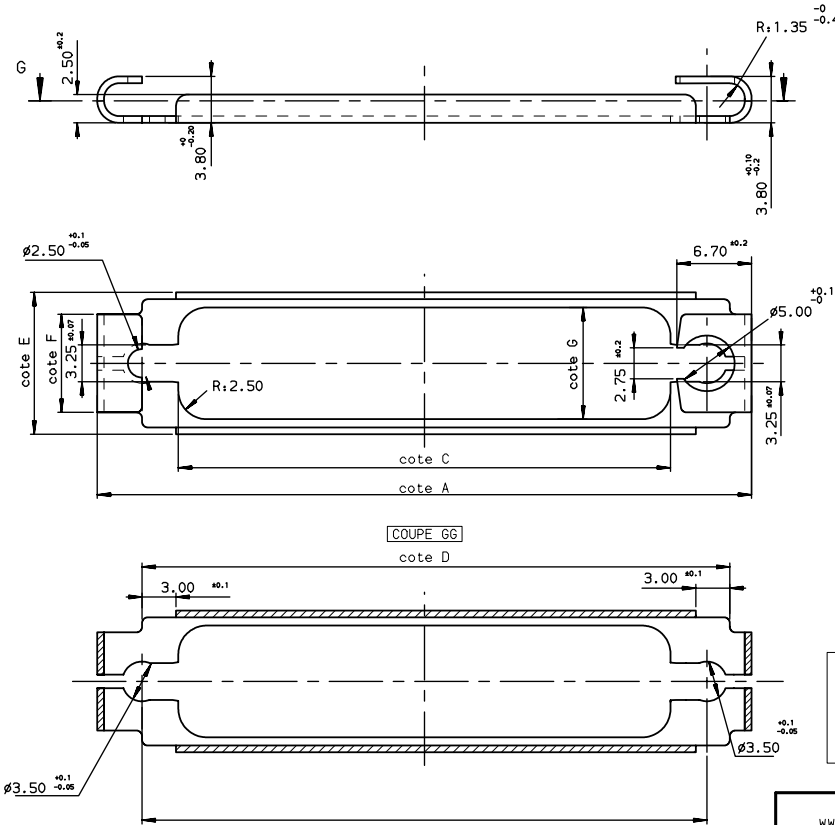
NOTE:RoHS INFORMATIONS

- The "LF" products meet European union Directives and other country regulations as described in GS-22-008.
- Plating :zinc or3 white or transparent color
- Packaging spec: see GS-14-920

European Views

www.fciconnect.com		surface ISO 1302	tolerance std ISO 406 ISO 1101	projection mm
		TOLERANCES UNLESS OTHERWISE SPECIFIED		mm
Dr	JARRY	2003/08/27	ANGULAR	size A3
Eng	LEGARE	2003/08/27	LINEAR	Scale 3
Chr	LEGARE	2003/08/27	0.XX ±0.1	ECN LS06-0097
Appr	LEGARE	2003/08/27	0.XXX ±0.1	Product family D-SUB Spec ref -
FCI		SLIDE LOCKS		Rev. D
REINFORCED PLATE		C01-8655-1585		sheet 1 of 1
catalog no		CUSTOMER		

rev	ecn no	dr	date
A	-	CJA	2003/08/27
B	LS06-0026	MPE	2005/07/25
C	LS06-0041	MPE	2006/03/20
D	LS06-0097	LG0	2006/07/28
-	-	-	-
-	-	-	-



Copyright FCI.

REV F - 2008-04-17