

Excellent Integrated System Limited

Stocking Distributor

Click to view price, real time Inventory, Delivery & Lifecycle Information:

[FCI](#)
[863009A](#)

For any questions, you can email us directly:
sales@integrated-circuit.com

Copyright FCI.



D

C

B

A

REV F - 2006-04-17

1

2

3

4

1

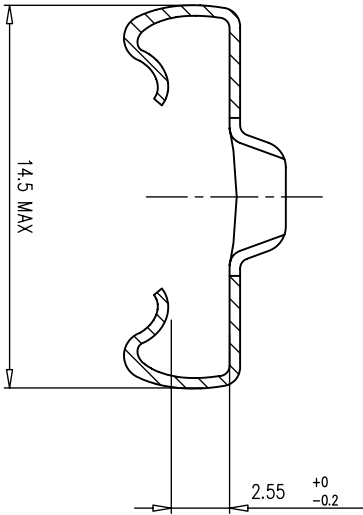
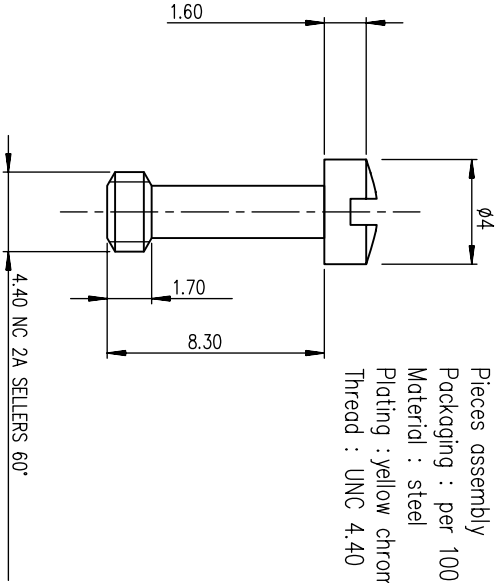
2

3

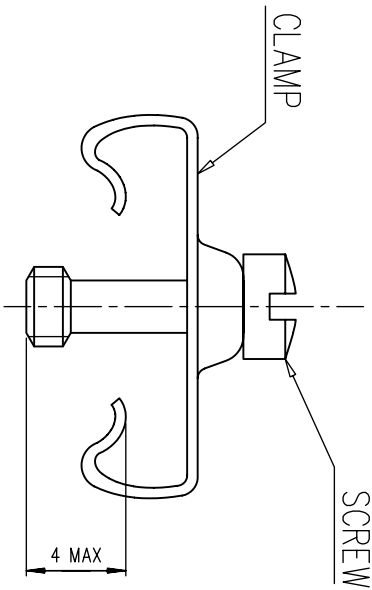
4

NOTES

Pieces assembly
Packaging : per 100 piece
Material : steel
Plating : yellow chromate cadmium
Thread : UNC 4.40



VIEW ASSEMBLY



Part Number
863009A

European View

rev	ben no	dr	date
B	-	LGO	2004/10/01
C	LS06-0101	MPE	2006/06/27
D	LS07-0001	MPE	2007/01/02
E	LS09-0006	PCR	2009/01/08
ELI	-	PK	2012/03/22
F	ELX-H-011663	PK	2012/05/09
G	ELX-H-011666	PK	2012/05/21

www.fciconnect.com		surface ISO 1302		tolerance std ISO 406 ISO 1101		projection		mm	
Dr	JOUBERT	1997/04/01	ANGULAR	0.X	±0.1	size	A3	Scale	5
Eng	COISNARD	2004/01/10	LINEAR	0.XX	±0.1	ECN	ELX-H-011668		
Chr	P.LEGARE	1997/04/01	0.XX ±.2	0.XXX	±0.1	Product family	D-SUB	Spec ref	-
Appr	P.LEGARE	1997/04/01							
FCI		MALE SCREW LOCKS		D SUB ACCESSORIES		C01-8655-0706		CUSTOMER sheet 1 of 1	