

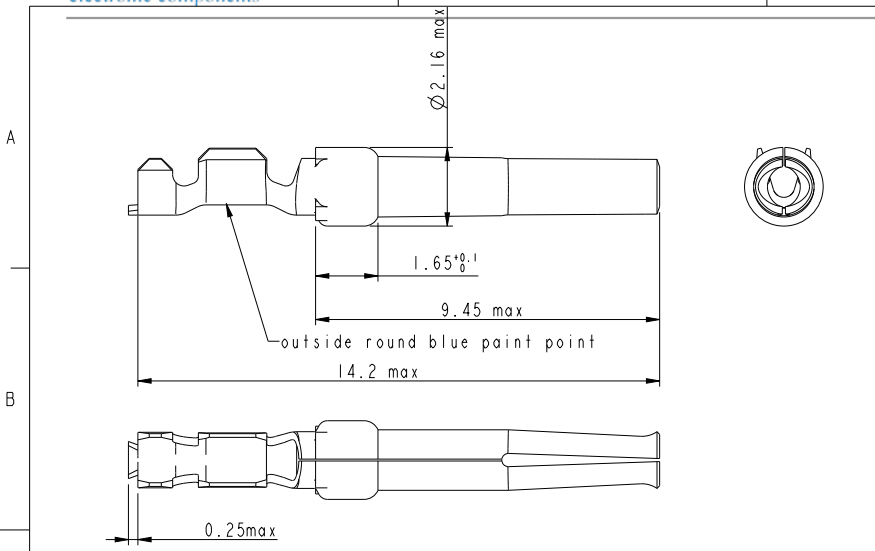
Excellent Integrated System Limited

Stocking Distributor

Click to view price, real time Inventory, Delivery & Lifecycle Information:

[FCI](#)
[8656451067LF](#)

For any questions, you can email us directly:
sales@integrated-circuit.com



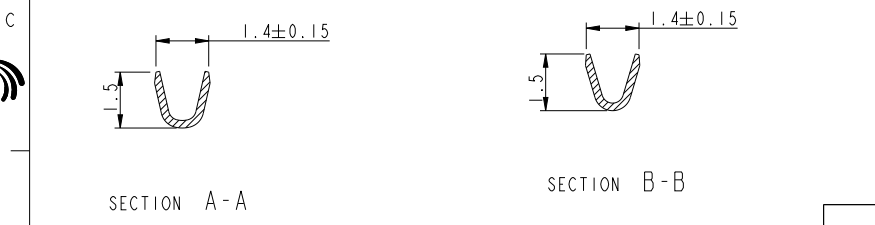
NOTES:

- 1-Material:phosphor bronze,thickness 0.20
- 2-Finish on contact area:see table
finish on termination:bright tin over nickel
- 3-Wire range:24-28 AWG
- 4-Max outer dia of wire insulator:1.02 mm
- 5-Current carrying capacity per contact:
3.Amps max when crimped to #24 AWG
2 Amps max when crimped to #26 AWG
1 Amps max when crimped to #28 AWG
- 6-After 5 insertions into connector,
contact retention must be 5 pounds axial load min
- 7-When contact is crimped to 24 AWG,the insulation
support crimped height must be 1.78 mm max to ensure
a proper insertion into housing
- 6-Packaging:Box of 500 contacts

NOTE : ROHS INFORMATIONS

The LF products meet European union directives and other country regulations as described in GS-22-008
Terminations plating spec : 2um Nickel min + 2um Sn min
Packaging Spec : see GS-14-920

PART NUMBER	Plating
8656451067LF	0.4μ Au / GXT
8656451067	0.4μ Au / GXT



rev	ecn no	dr	date
C	LS06-196	MPE	27/11/2006
D	LS08-0127	MPE	13/05/2008
E	LS08-0216	MPE	26/11/2008
F	109-0128	AMR	2009-07-07
G	109-0152	AMR	2009-07-29
H	110-0070	AMR	2010-03-09
J	111-0003	AMR	2011-01-06

www.fciconnect.com		surface ISO 1302	tolerance std ISO 406 ISO 1101	projection mm
		TOLERANCES UNLESS OTHERWISE SPECIFIED		
Dr	C JARRY	1997-01-28	ANGULAR	0.X ±0.3
Eng	ABHILASH M R	2009-07-07	LINEAR	0.xx ±0.1
Chr	ABHILASH M R	2009-07-07	0° ±2°	0.xxx ±0.05
Appr	SUDHIR VARMA	2009-07-07	Product family	- Spec ref
FCJ			title	CRIMP SOCKET
			#Wire	24-28 Ø1.02 max
			catalog no	
			size	A3
			Scale	10:1
			ECN	111-0003
			Part no	C01-8656-0418
			Rev.	J
			CUSTOMER	sheet 1 of 1

Copyright FCI.

REV F - 2008-08-17