

Excellent Integrated System Limited

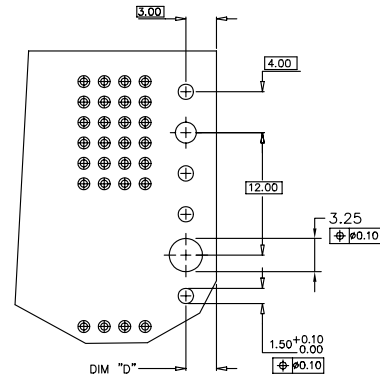
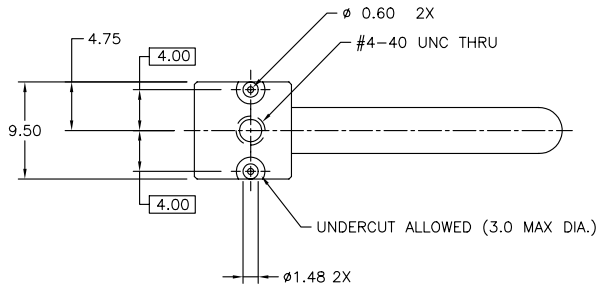
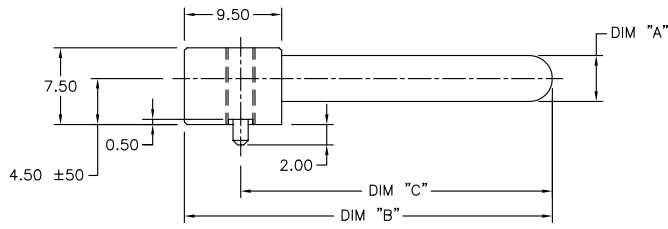
Stocking Distributor

Click to view price, real time Inventory, Delivery & Lifecycle Information:

[FCI](#)
[72019-101](#)

For any questions, you can email us directly:
sales@integrated-circuit.com

PRODUCT NO.	DIM "A"	DIM "B"	DIM "C"	DIM "D"	PLATING	LEAD FREE
72019-101LF	4.50	36.00	30.50	3.00	1.3um NICKEL	NOTE 2
72019-102LF	3.60	33.26	27.76	4.00	4um NICKEL	



REQUIRED PC BOARD LAYOUT COMPONENT

NOTES:

- ① MATERIAL: BRASS
- ② ADD "LF" SUFFIX AT THE END OF PART NUMBER FOR LEAD FREE OPTION.
3. THIS PRODUCT MEETS EUROPEAN UNION DIRECTIVES AND OTHER COUNTRY REGULATION AS DESCRIBED IN GS-22-008.



Copyright FCI.

rev	ecr no	dr	date
E	M05-0198	MHT	2005-09-13
F	M06-0286	MNR	2006-07-27
G	N11-0090	AZH	2011-04-07

www.fciconnect.com		surface ISO 1302	tolerance ISO 406 ISO 1101	projection	MM
		TOLERANCES UNLESS OTHERWISE SPECIFIED			
Dr	S.RDYER	1996-12-06	ANGULAR	size	A4
Eng	C.PENDLETON	1996-12-06	LINEAR	0.X	± 0.30
Chr	C.PENDLETON	1996-12-06	0' ± 20'	0.XX	± 0.15
Appr	C.PENDLETON	1996-12-06	Product family	0.XXX	± 0.05
				METRAL	Spec ref
title				72019	Rev.
RIGHT ANGLE GUIDE PIN MODULE					G
catalog no				CUSTOMER	sheet 1 of 1

REV F - 2006-06-17

PDM: Rev:G

STATUS Released

4 Printed: Apr 14, 2011