

Excellent Integrated System Limited

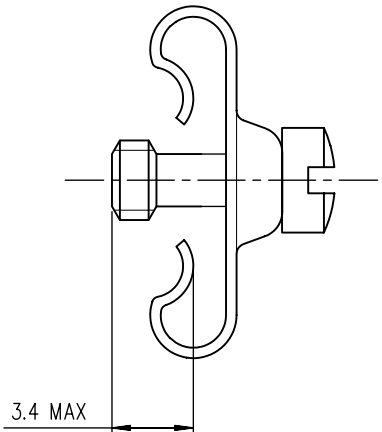
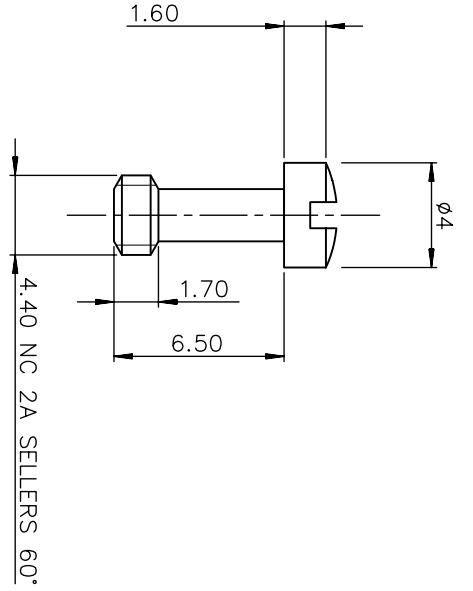
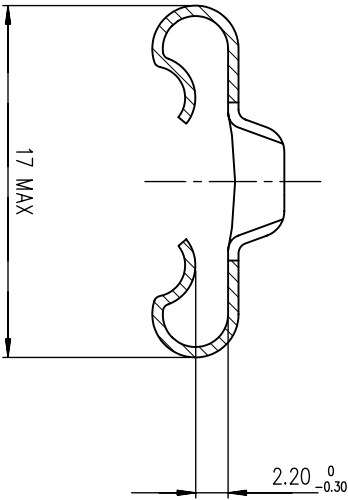
Stocking Distributor

Click to view price, real time Inventory, Delivery & Lifecycle Information:

[FCI](#)
[863002ATLF](#)

For any questions, you can email us directly:
sales@integrated-circuit.com

Copyright FCI.



ASSEMBLY VIEW

NOTES

- Pieces assembly
- Packaging : per 100 piece
- Material : steel
- Plating : tin plating
- Thread : UNC 4.40

NOTE: RoHS INFORMATION

- The "LF" product meets European union Directives and other country regulations as described in GS-22-008.
- The product is not intended to be exposed to a manufacturing solder process.
- Plating: Sn pure bright over Copper.
- Packaging spec: see GS-14-920.

LEAD-FREE PART-NUMBER

Part number **863002ATLF**

European View

www.fciconnect.com		surface	ISO 1302	tolerance std	ISO 406 ISO 1101	projection	mm
Dr GOISNARD		2006/06/23	ANGULAR	0.X	±0.1	⊕	Scale
Eng PESSION		2006/06/23	LINEAR	0.XX	±0.1	A3	5:1
Chr ABHILASH		2011/01/25	0.XX ±2	0.XXX	±0.1	ECN	ELX-H-011666
Appr SUDHIR		2011/01/25	Product family	D-SUB Spec ref -			
		MALE SCREW LOCKS FOR CONNECTOR 50 PTS		C01-8655-1675 CUSTOMER sheet 1 of 1			

rev	ben no	dr	date
A	LS06-0101	LG0	2006/06/23
B	I11-0022	AMR	2011/01/25
C	ELX-H-011666	PK	2012/05/09
D	ELX-H-011666	PK	2012/05/21