

Excellent Integrated System Limited

Stocking Distributor

Click to view price, real time Inventory, Delivery & Lifecycle Information:

[FCI](#)
[863025A](#)

For any questions, you can email us directly:
sales@integrated-circuit.com

Copyright FCI.

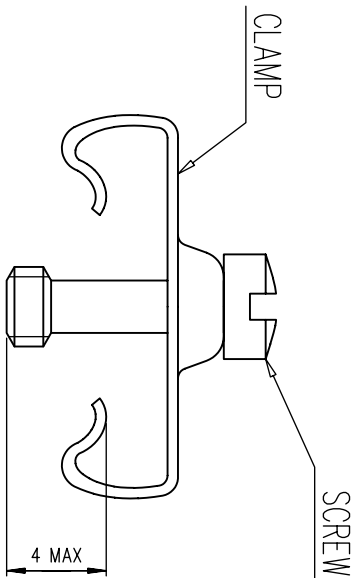
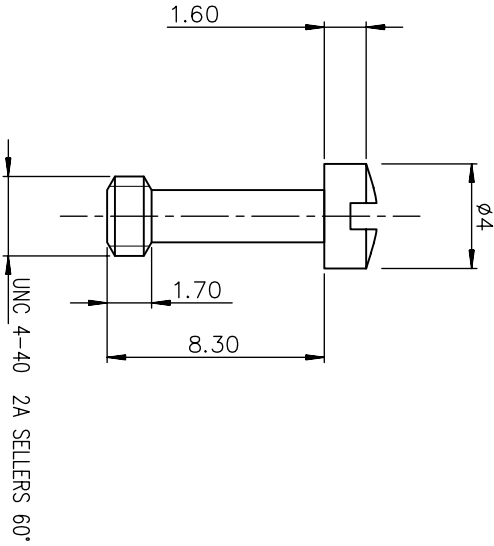
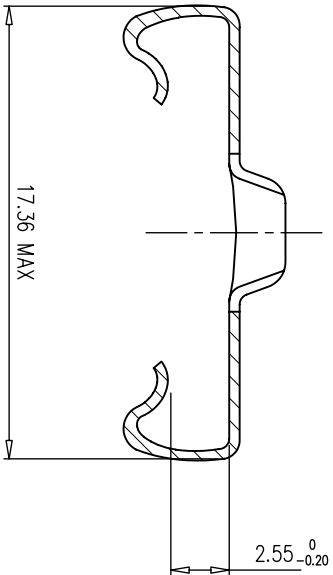


D

C

B

A



VIEW ASSEMBLY

NOTES

- Pieces assembly
- Packaging : per 100 piece
- Material : steel
- Plating : yellow chromate cadmium
- Thread : UNC 4.40

Part Number	863025A
-------------	---------

rev	ben no	dr	date
A	-	SJO	1998/04/29
B	LS06-0101	MPE	2006/06/27
C	LS06-0001	MPE	2007/01/02
D	LS09-0006	PCR	2009/01/08
E	ELX-H-011684	PK	2012/05/09
F	ELX-H-011686	PK	2012/05/21

www.fciconnect.com		surface ISO 1302		tolerance std ISO 406 ISO 1101		projection		mm	
Dr JOUBERT		ANGULAR		TOLERANCES UNLESS OTHERWISE SPECIFIED		A3		Scale 5	
Eng -		LINEAR		0.X		±0.1		size	
Chr -		0.XX		0.XXX		±0.1		ECN	
Appr -		Product family		D-SUB		Spec ref -		ELX-H-01168	
FCI		MALE SCREW LOCKS		50 PTS (P ET S)		C01-8655-0712		CUSTOMER sheet 1 of 1	

European View