

## Excellent Integrated System Limited

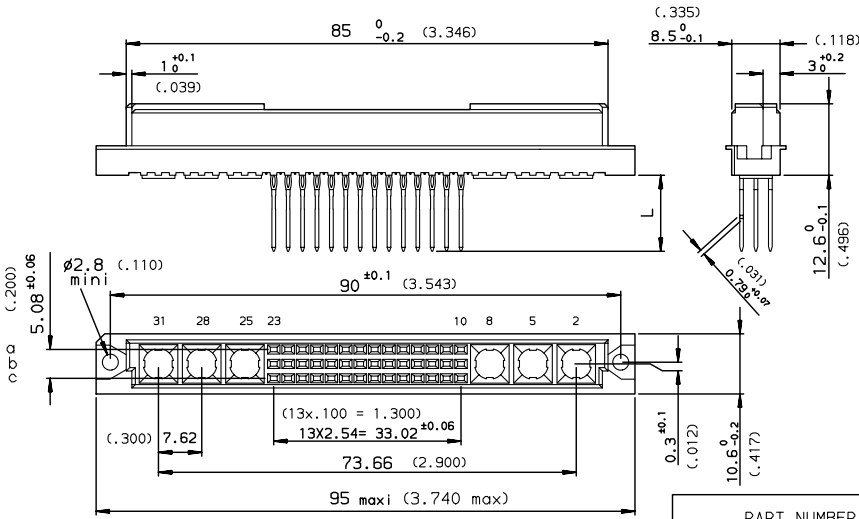
Stocking Distributor

Click to view price, real time Inventory, Delivery & Lifecycle Information:

[FCI](#)  
[8609428F194755000E3](#)

For any questions, you can email us directly:  
[sales@integrated-circuit.com](mailto:sales@integrated-circuit.com)

**DIMENSIONS** mm (inches)



**ELECTRICAL DATA** (For signal contacts)

- Current at AMB. 1.5 A at 20° C / 1 A at 70° C
- I max 2A
- Contact resistance <20ma according to DIN 41640 Teil 4 test 2a
- Insulation resistance >10<sup>10</sup>Ma according to DIN 41640 teil 7 test 3a
- TEST VOLTAGE according to DIN 41640 teil 21
- contact/contact 1000V eff (0.5 mA / 50 Hz)
- contact/ground 1550V eff (0.5 mA / 50 Hz)
- Press Fit termination resistance < 1 ma

**MECHANICAL DATA** (For signal contacts)

- Mating Force 42 Cts : <40N (9 lb) / 28 Cts : <26N (5.85 lb)
- Unmating Force 42 Cts : >6.5N (1.45 lb) / 28 Cts : >4.3N (1 lb)
- Mechanical endurance class 1 500 matings unmatings according to DIN41640 teil 21
- class 2 400
- class 3 50
- Press in insertion force per pin 180 N (40.7 lb) max / 75 N (17 lb) standard
- Material insulator Polyester thermoplastic UL94V0
- Material contacts Phosphor bronze
- Finishing contact surface Gold over Nickel
- Finishing termination Tin Lead
- Shock <40ma according to DIN 41640 Teil 14 test 6c
- Vibration class 1 10-2000Hz/20g according to DIN 41640 Teil 15
- class 2 10-500Hz/5g
- class 3 10-500Hz/5g
- Backpanel or PCB thickness 1.6 , 2,4 or 3,2 mm

**ENVIRONMENTAL DATA**

- Climatic category According to DIN 41612
- Corrosion According to DIN 41612

**PART NUMBER** 8609   F1  7  5-000-E3

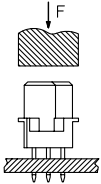
**PIN OUT**  
 rows a-b-c --- 3 --- 42  
 rows a-c --- 4 --- 28

**NUMBER OF CONTACTS**

**TERMINATION**  
 L = 13.10 ±0.20 (.515) --- 1 wrap --- 91  
 L = 17.10 ±0.20 (.673) --- 2 wraps --- 92  
 L = 3.00 ±0.20 (.118) --- short post --- 94

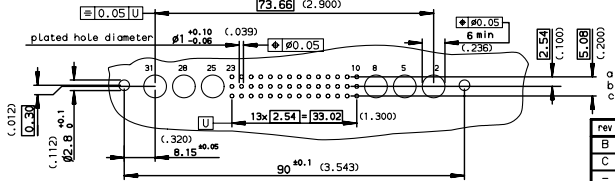
**PERFORMANCE CLASS**  
 DIN 41612 class 3 --- --- --- --- --- 4  
 DIN 41612 class 2 --- --- --- --- --- 5  
 DIN 41612 class 1 --- --- --- --- --- 6

METHOD OF INSERTION ON THE PCB = FLAT ROCK



PCB DRILLING component side

PERFORMANCES AS PER DIN 41612



www.fciconnect.com		surface 150 1302	tolerance std 150 406 150 1101	projection	mm
		TOLERANCES UNLESS OTHERWISE SPECIFIED		size	Scale 1.5
Dr	LEGALLIC	1997/11/05	ANGULAR	0.X ±0.1	A3
Eng	LEGALLIC	1997/11/05	LINEAR	0.XX ±0.1	ECN
Chr	LEGARE	1997/11/05	0.XX ±2°	0.XXX ±0.1	LS07-0130
Appr	LEGARE	1997/11/05	Product family	DIN	Spec ref -
FCI logo			<b>STRAIGHT FEMALE STYLE M</b>		Rev.
catalog no			PRESS FIT		C-8609-0557
			day 20		CUSTOMER sheet 1 of 1

rev	ecn no	dr	date
B	-	HLE	1997/11/05
C	LS07-0130	HLE	2007/05/22
-	-	-	-
-	-	-	-
-	-	-	-
-	-	-	-
-	-	-	-
-	-	-	-