

## Excellent Integrated System Limited

Stocking Distributor

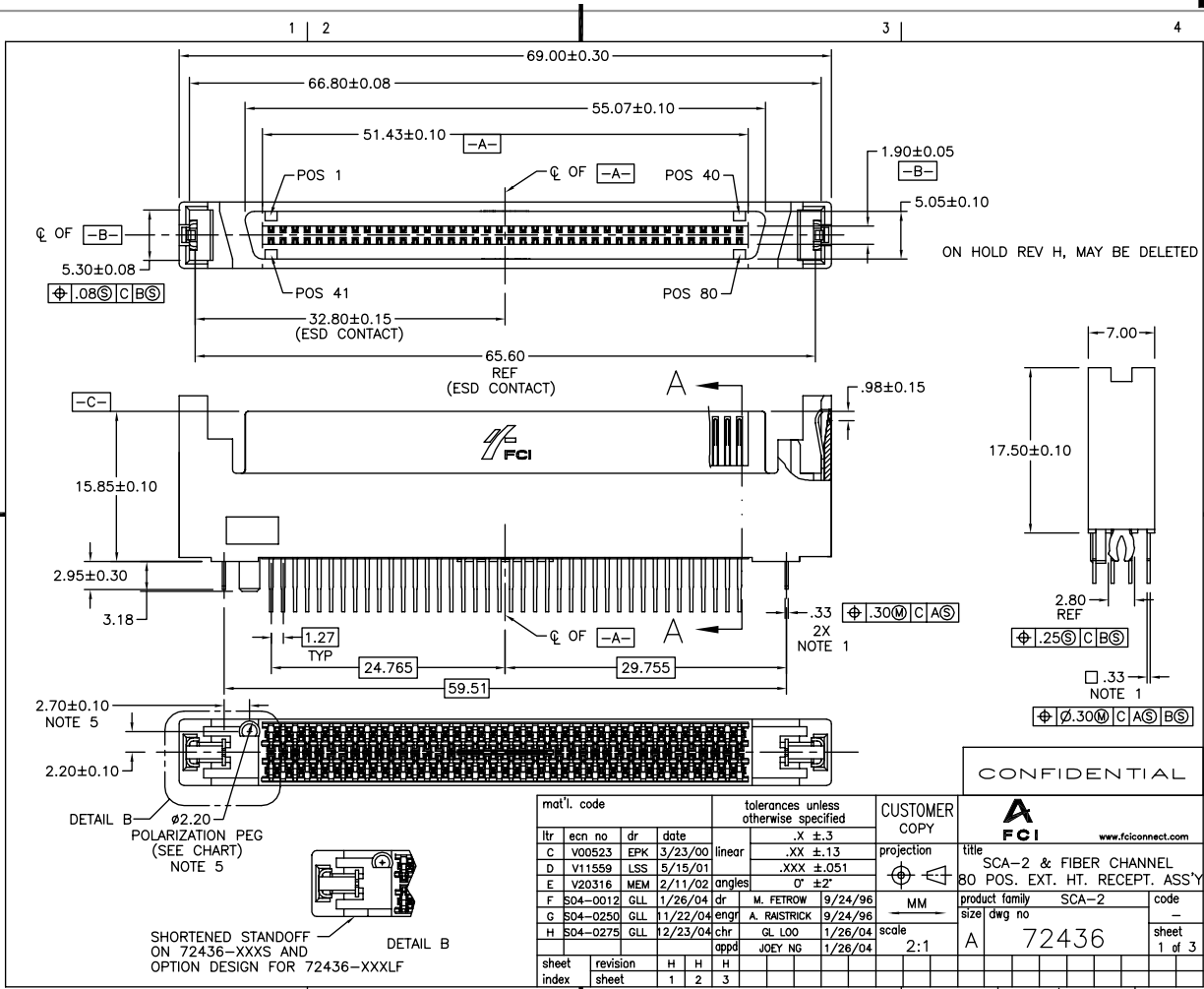
Click to view price, real time Inventory, Delivery & Lifecycle Information:

[FCI](#)  
[72436-001LF](#)

For any questions, you can email us directly:  
[sales@integrated-circuit.com](mailto:sales@integrated-circuit.com)

Tous droits strictement réservés. Reproduction ou communication à des tiers interdite sous quelque forme que ce soit sans autorisation écrite du propriétaire. Propriété de FCI. Droits de reproduction FCI.

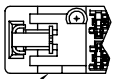
All rights strictly reserved. Reproduction or issue to third parties in any form whatsoever is not permitted without written authority from the proprietor. Property of FCI. Copyright FCI.



CONFIDENTIAL

mat'l. code				tolerances unless otherwise specified				CUSTOMER COPY	
ltr	ecn no	dr	date	linear	.X ±.3	projection	title		
C	V00523	EPK	3/23/00		.XX ±.13		SCA-2 & FIBER CHANNEL		
D	V11559	LSS	5/15/01		.XXX ±.051		80 POS. EXT. HT. RECEPT. ASS'Y		
E	V20316	MEM	2/11/02	angles	0° ±2°	MM	product family	code	
F	S04-0012	GLL	1/26/04	dr		scale	size	sheet	
G	S04-0250	GLL	1/22/04	enfr	M. FETROW 9/24/96	2:1	72436	1 of 3	
H	S04-0275	GLL	12/23/04	chr	A. RAISTRICK 9/24/96				
				appd	GL LOO 1/26/04				
					JOEY NG 1/26/04				
sheet index	revision sheet	H	H	H					
		1	2	3					

SHORTENED STANDOFF ON 72436-XXXS AND OPTION DESIGN FOR 72436-XXXLF



cage code 22526

ACAD

Tous droits strictement réservés. Reproduction ou communication à des tiers  
 interdite sous quelque forme que ce soit sans autorisation écrite du propriétaire.  
 Property of FCI. All rights reserved.

All rights strictly reserved. Reproduction or issue to third parties in any  
 form whatsoever is not permitted without written authority from the proprietor.  
 Property of FCI. Copyright FCI.

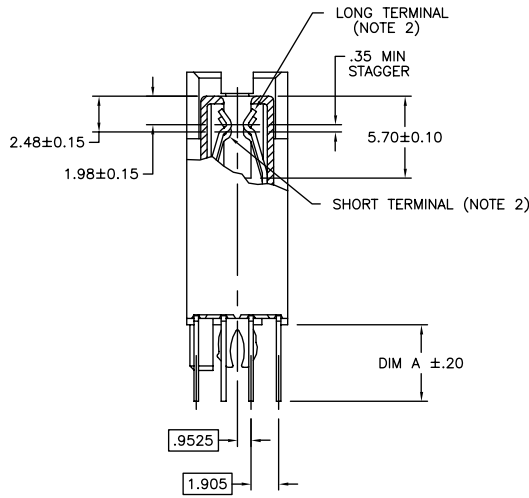
**FCI**

**B**

1 | 2

3 |

4



SECTION A-A

CONFIDENTIAL

mat'l. code		tolerances unless otherwise specified		CUSTOMER COPY		<a href="http://www.fciconnect.com">www.fciconnect.com</a>	
ltr	ecm no	dr	date	linear	.X ±.3	projection	
H					.XX ±.13		
				angles	.XXX ±.051		title
				dr	0° ±2°	MM	SCA-2 & FIBER CHANNEL
				enfr	M. FETROW 9/24/96	scale	80 POS. EXT. HT. RECEPT. ASS'Y
				chr	A. RAISTRICK 9/24/96	3:1	product family
				appd	GL LOO 1/26/04		SCA-2
					JOEY NG 1/26/04		size
sheet	revision						dwg no
index	sheet	1					A 72436
							code
							2 of 3

ACAD

1 | 2

3 |

4

cage code  
22526

**PDM: Rev:H**

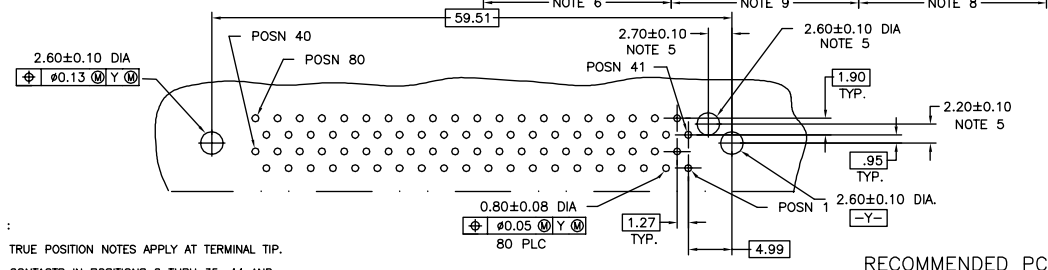
**STATUS:Released**

Printed: Mar 11, 2011

Tous droits strictement réservés. Reproduction ou communication à des tiers interdite sous quelque forme que ce soit sans autorisation écrite du propriétaire. Propriété de FCI. Droits de reproduction FCI.

All rights strictly reserved. Reproduction or issue to third parties in any form whatsoever is not permitted without written authority from the proprietor. Property of FCI. Copyright FCI.

PRODUCT NO. SEE NOTE 7	"A" DIM	POLARIZATION PEG	PLATING	RECOMMENDED P.C. BOARD THICKNESS	PRODUCT NO.	PLATING	PRODUCT NO.	PLATING	PRODUCT NO.	PLATING	
72436-001	2.79	YES	NOTE 4	1.57mm (0.062")	72436-101	NOTE 6	72436-001LF	NOTE 9	72436-201LF	NOTE 8	
-001S					-101S				-201LF		
-002	2.79	NO			-102				-202LF		
-002S				-102S							
-003	3.18	YES		-103			72436-003LF				72436-203LF
-003S				-103S							
-004	3.18	NO			-104		-204LF				
-004S					-104S						
-005	4.06	YES			-105		-205LF				
-005S					-105S						
-006	4.06	NO			-106		-206LF				
-006S					-106S						
72436-006S					72436-106S						



- NOTES :
- TRUE POSITION NOTES APPLY AT TERMINAL TIP.
  - CONTACTS IN POSITIONS 2 THRU 35, 44 AND 47 THRU 74 ARE SHORT TERMINALS. CONTACTS IN POSITIONS 1, 36 THRU 43, 45, 46, AND 75 THRU 80 ARE LONG TERMINALS.
  - RAW MATERIALS: HOUSING: HTN, UL94V-0, COLOR: BLACK CONTACTS: PHOSPHOR-BRONZE
  - CONTACT PLATING: 30μ" (0.76μm) MIN. GXT PLATING OVER 50μ" (1.27μm) NICKEL MIN. UNDERPLATE IN CONTACT AREA. 100μ" (2.54μm) MIN. TIN-LEAD PLATING OVER 50μ" (1.27μm) MIN. NICKEL UNDERPLATE IN P.C.B. LEG AREA. 50μ" (1.27μm) MIN. NICKEL UNDERPLATE OVER REMAINING AREA.
  - DIMENSIONS DO NOT APPLY TO CONNECTOR STYLES WITHOUT POLARIZATION PEG. (SEE CHART)
  - CONTACT PLATING: 30μ" (0.76μm) MIN. GOLD PLATING OVER 50μ" (1.27μm) NICKEL MIN. UNDERPLATE IN CONTACT AREA. 100μ" (2.54μm) MIN. TIN-LEAD PLATING OVER 50μ" (1.27μm) MIN. NICKEL UNDERPLATE IN P.C.B. LEG AREA. 50μ" (1.27μm) MIN. NICKEL UNDERPLATE OVER REMAINING AREA.
  - PART NUMBERS WITH "S" SUFFIX ARE MANUFACTURED WITH BRIGHT TIN-LEAD FINISH ON THE TERMINAL TAIL SECTION. PART NUMBERS WITHOUT AN END SUFFIX ARE MANUFACTURED WITH MATTE TIN-LEAD FINISH.
  - CONTACT PLATING: 30μ" (0.76μm) GOLD PLATING OVER 50μ" (1.27μm) NICKEL UNDERPLATE IN CONTACT AREA. 100μ" (2.54μm) - 200μ" (5.08μm) TIN PLATING OVER 50μ" (1.27μm) - 100μ" (2.54μm) NICKEL UNDERPLATE IN P.C. BOARD LEG AREA. 50μ" (1.27μm) NICKEL UNDERPLATE OVER REMAINING AREA.

- CONTACT PLATING: 30μ" (0.76μm) GXT PLATING OVER 50μ" (1.27μm) NICKEL UNDERPLATE IN CONTACT AREA. 100μ" (2.54μm) - 200μ" (5.08μm) TIN PLATING OVER 50μ" (1.27μm) - 100μ" (2.54μm) NICKEL UNDERPLATE IN P.C. BOARD LEG AREA. 50μ" (1.27μm) NICKEL UNDERPLATE OVER REMAINING AREA.
- THE HOUSING WILL WITHSTAND EXPOSURE TO 260°C PEAK TEMPERATURE FOR 10 SECONDS IN A WAVE SOLDER APPLICATION WITH A 1.57MM THICK CIRCUIT BOARD.
- THIS PRODUCT MEETS EUROPEAN UNION DIRECTIVES AND OTHER COUNTRY REGULATIONS AS DESCRIBED IN GS-22-008.
- PART NUMBERS ENDING IN "LF" MEANS FOR NOTE 11 LEAD FREE IDENTIFICATION. P/N XXXXX-2XXLF IS EQUIVALENT TO PREVIOUS P/N XXXX-2XX

RECOMMENDED PC BOARD MOUNTING DIMENSIONS COMPONENT SIDE

CONFIDENTIAL

mat'l. code		tolerances unless otherwise specified		CUSTOMER COPY		FCI www.fciconnect.com	
ltr	ecn no	dr	date	linear	.X ±.3	projection	title
H					.XX ±.13	MM	SCA-2 & FIBER CHANNEL
				angles	.XXX ±.051	scale	80 POS. EXT. HT. RECEPT. ASS'Y
				dr	0° ±2"	2:1	product family
				enrg	M. FETROW 9/24/96		size
				chr	A. RAISTRICK 9/24/96		dwg no
				appd	GL LOO 1/26/04		72436
					JOEY NG 1/26/04		code
sheet	revision						3 of 3
index	sheet	1					

ACAD

cage code 22526