

Excellent Integrated System Limited

Stocking Distributor

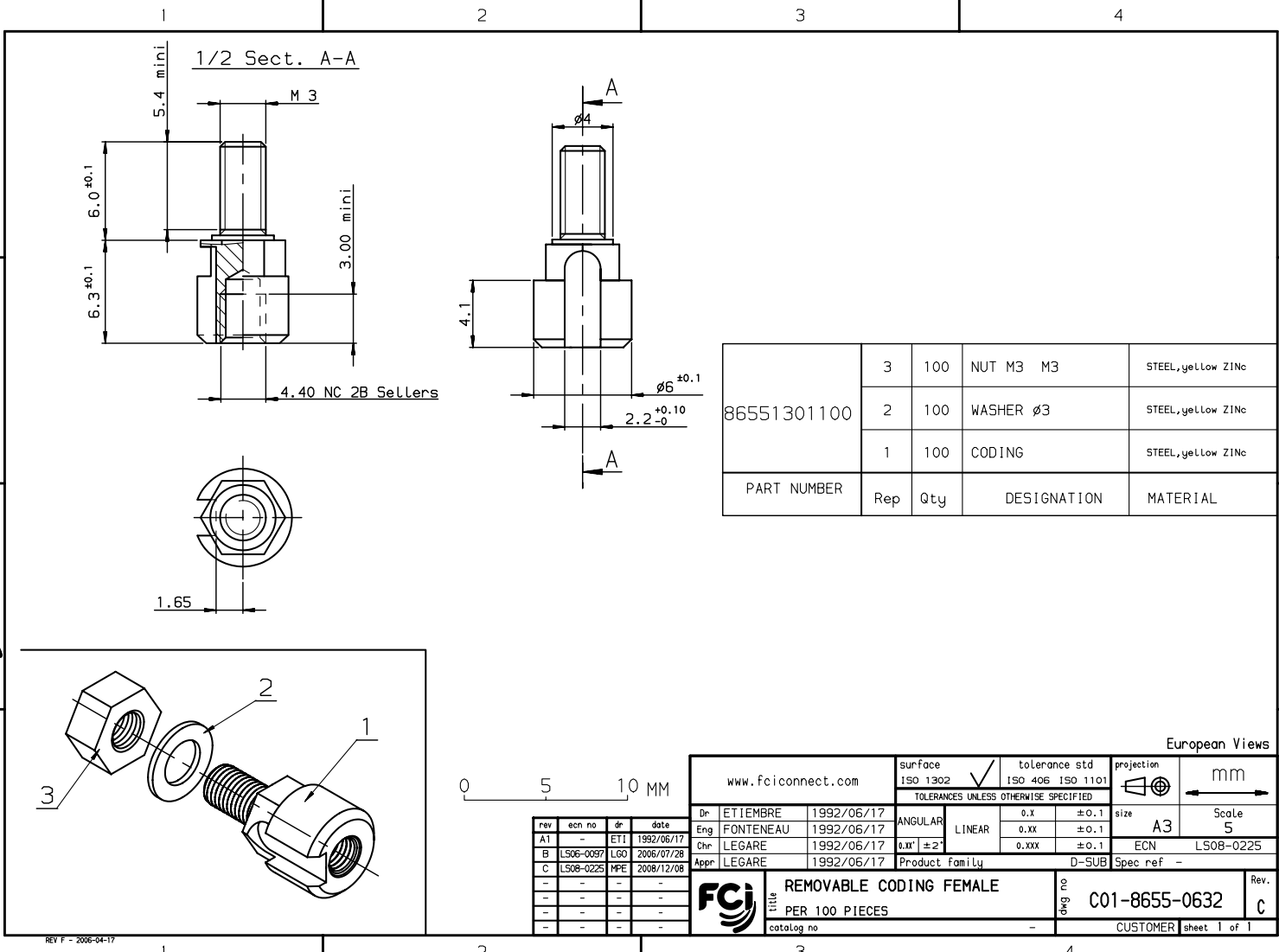
Click to view price, real time Inventory, Delivery & Lifecycle Information:

[FCI](#)

[86551301100](#)

For any questions, you can email us directly:

sales@integrated-circuit.com



86551301100	3	100	NUT M3 M3	STEEL, yellow ZINc
	2	100	WASHER Ø3	STEEL, yellow ZINc
	1	100	CODING	STEEL, yellow ZINc
PART NUMBER	Rep	Qty	DESIGNATION	MATERIAL

rev	ecn no	dr	date
A1	-	ETI	1992/06/17
B	LS06-0097	LSO	2006/07/28
C	LS08-0225	HPE	2008/12/08
-	-	-	-
-	-	-	-
-	-	-	-

www.fciconnect.com		surface ISO 1302	tolerance std ISO 406 ISO 1101	projection mm
TOLERANCES UNLESS OTHERWISE SPECIFIED		ANGULAR	0.X ±0.1	size A3
		LINEAR	0.XX ±0.1	Scale 5
		0.XX ±2°	0.XXX ±0.1	ECN LS08-0225
Dr	ETIEMBRE	1992/06/17	Product family	D-SUB
Eng	FONTENEAU	1992/06/17	Spec ref	-
Chr	LEGARE	1992/06/17		
Appr	LEGARE	1992/06/17		
			REMOVABLE CODING FEMALE PER 100 PIECES	Rev. C
catalog no			C01-8655-0632	CUSTOMER sheet 1 of 1

Copyright FCI

REV F - 2006-04-17