

Excellent Integrated System Limited

Stocking Distributor

Click to view price, real time Inventory, Delivery & Lifecycle Information:

[FCI](#)
[73944-1002](#)

For any questions, you can email us directly:
sales@integrated-circuit.com

Tous droits strictement réservés. Reproduction ou communication à des tiers interdite sous quelque forme que ce soit sans autorisation écrite du Propriétaire de c FCI. Droits de reproduction FCI.



All rights strictly reserved. Reproduction or issue to third parties in any form whatsoever is not permitted without written authority from the proprietor. Property of FCI. Copyright FCI.

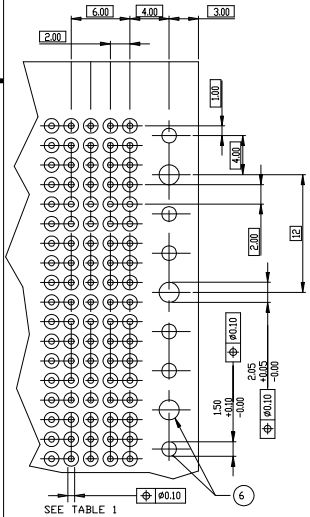
PRODUCT NUMBER	PEG TYPE	TAIL TYPE	TAIL LGTH DIM "A"	PCB THICKNESS±0.20	LOADING CONFIGURATION
73944-X001 *	PRESS	SOLDER	2.90	1.6	FULLY LOADED
73944-X002 *	PRESS	PRESS-FIT	2.90	1.6	
73944-X003 *	PRESS	SOLDER	3.53	2.4	
73944-X004 *	PRESS	PRESS-FIT	3.53	2.4	

* SEE NOTE 11 FOR LEAD FREE OPTIONS

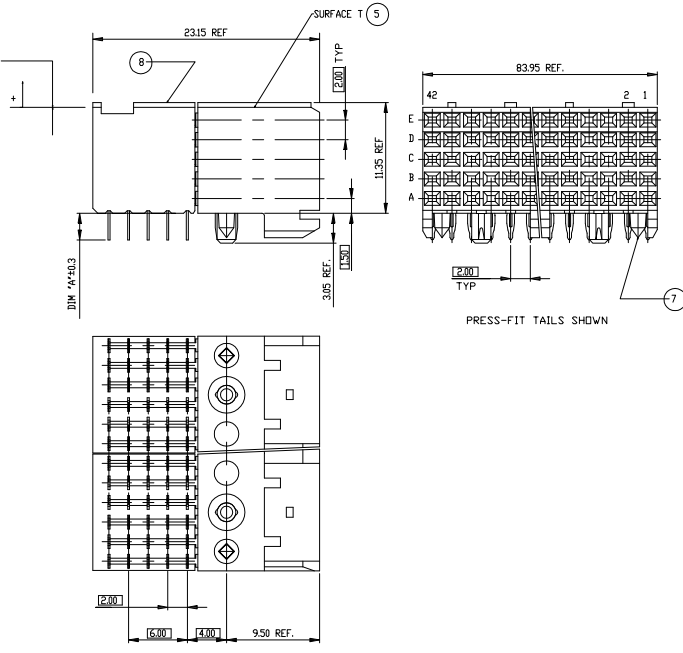
PLATING CONTACT AREA:	
DASH NR:	PERFORMANCE LEVEL
-1YY/1YYLF	TELCORDIA CO
-2YY/2YYLF	CUSTOMER SPECIAL
-3YY/3YYLF	CUSTOMER SPECIAL

HOLE DIAMETER AFTER PLATING	0.65-0.80
DRILLED HOLE	0.81-0.86 (0.85 DRILL)
COPPER PLATING	0.025 - 0.05
SnPb PLATING	0.005-0.015

SEE DRAWING 58351 FOR OTHER OPTIONS



RECOMMENDED PC BOARD LAYOUT, COMPONENT SIDE.



mat'l. code		tolerances unless otherwise specified		CUSTOMER COPY		FCI	
ltr	ecr no	dr	date				
L	DG09-0068	Cenh	06/06/09	linear	X ±3	projection	www.fciconnect.com
					.XX ±13		
					.XXX ±051		
F	V03-0721	DAI	8/18/03	angles	0° ±2°		
G	V05-1012	JRV	11/3/05	dr	M. FETROW	8/24/98	
H	DG06-0510	Cenh	12/06/06	eng	C. PENDLETON	8/24/98	
J	DG07-0173	Cenh	6/05/07	chr	C. PENDLETON	8/24/98	
K	DG08-0171	TER	9/01/08	appo	C. PENDLETON	8/24/98	
sheet	revision	L	L				
index	sheet	1	2				

cage code 22526

ACAD

PDM: Rev:L

STATUS: Released

Printed: May 10, 2011

