

Excellent Integrated System Limited

Stocking Distributor

Click to view price, real time Inventory, Delivery & Lifecycle Information:

[FCI](#)

[87567-003LF](#)

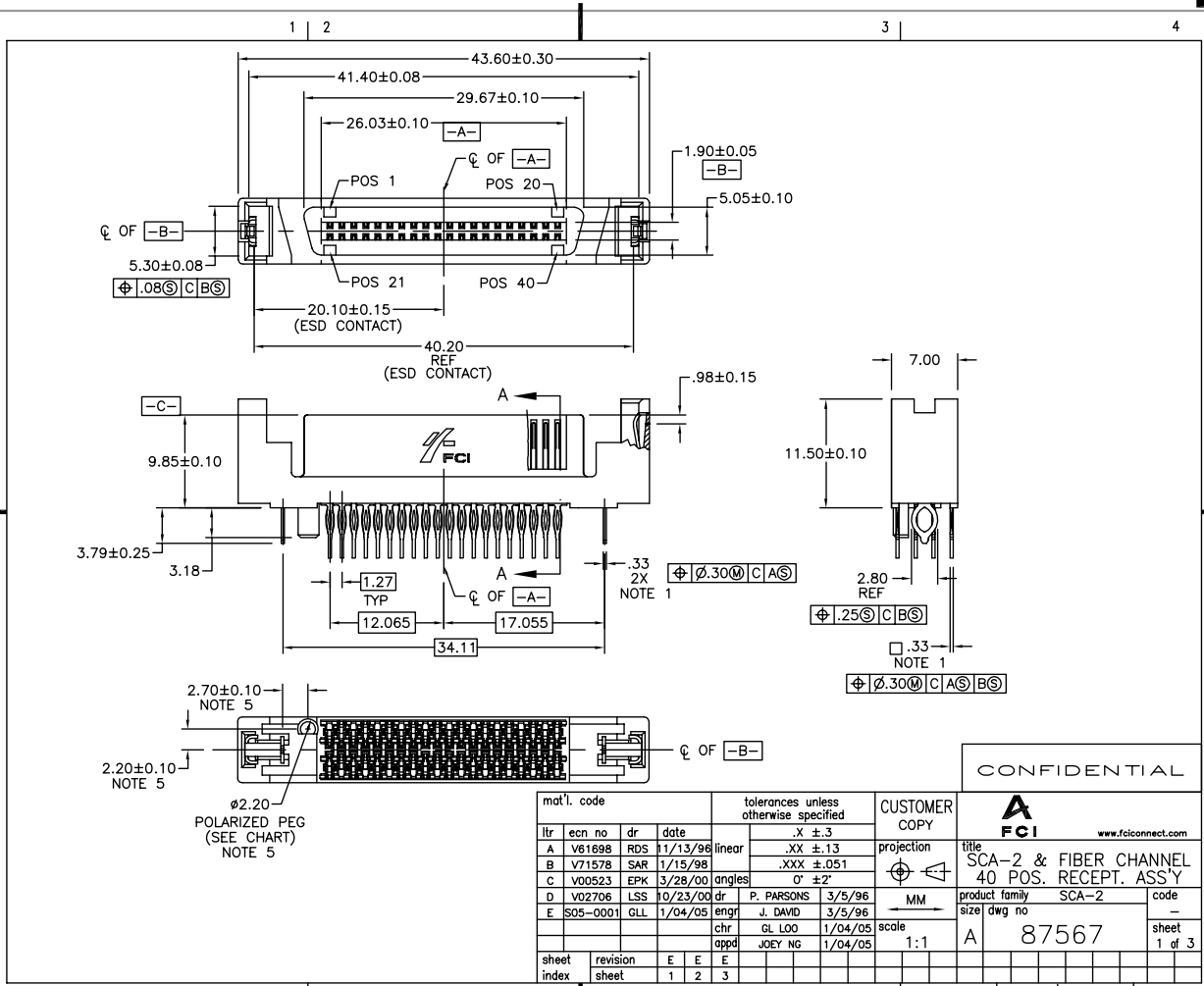
For any questions, you can email us directly:

sales@integrated-circuit.com

Tous droits strictement réservés. Reproduction ou communication à des tiers interdite sous quelque forme que ce soit sans autorisation écrite du propriétaire. Propriété de FCI. Droits de reproduction FCI.

FCI

All rights strictly reserved. Reproduction or issue to third parties in any form whatever is not permitted without written authority from the proprietor. Property of FCI. Copyright FCI.



CONFIDENTIAL

mat'l. code		tolerances unless otherwise specified		CUSTOMER COPY		FCI	
ltr	ecn no	dr	date	linear	.X ±.3	projection	title
A	V61698	RDS	11/13/98		.XX ±.13		SCA-2 & FIBER CHANNEL
B	V71578	SAR	1/15/98		.XXX ±.051		40 POS. RECEPT. ASSY
C	V00523	EPK	3/28/00	angles	0° ±2°	MM	product family
D	V02706	LSS	10/23/00	dr	P. PARSONS 3/5/96	scale	SCA-2
E	S05-0001	GLL	1/04/05	enrg	J. DAVID 3/5/96	1:1	code
				chr	GL LOO 1/04/05		size
				appd	JOEY NG 1/04/05		dwg no
sheet	revision	E	E	E			87567
index	sheet	1	2	3			sheet
							1 of 3

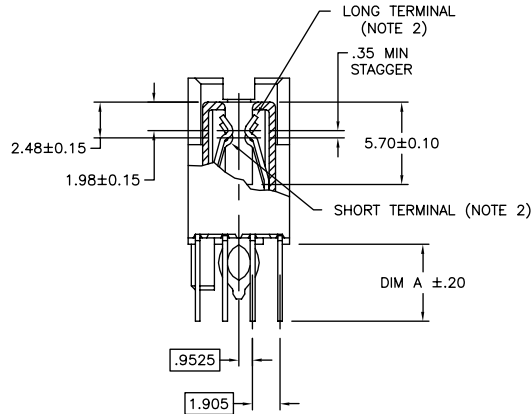
cage code 22526

ACAD

Tous droits strictement réservés. Reproduction ou communication à des tiers interdite sous quelque forme que ce soit sans autorisation écrite du propriétaire. Propriété de FCI. Droits de reproduction FCI.

A
FCI

All rights strictly reserved. Reproduction or issue to third parties in any form whatever is not permitted without written authority from the proprietor. Property of FCI. Copyright FCI.



SECTION A-A

CONFIDENTIAL

mat'l. code		tolerances unless otherwise specified		CUSTOMER COPY		www.fciconnect.com	
ltr	ecn no	dr	date	linear	.X ±.3	projection	title SCA-2 & FIBER CHANNEL 40 POS. RECEPT. ASSY
E				angles	.XX ±.13 .XXX ±.051 0° ±2°		
				dr	P. PARSONS 3/5/96	MM	product family
				engr	J. DAVID 3/5/96	scale	SCA-2
				chr	GL LOO 1/04/05	2:1	code
				appd	JOEY NG 1/04/05		size
sheet index	revision sheet						dwg no
							A 87567
							sheet 2 of

cage code 22526

ACAD

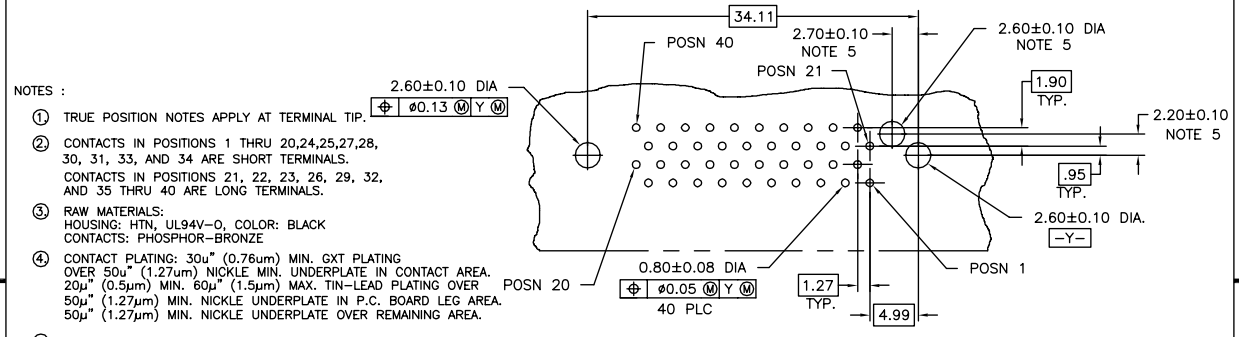
PDM: Rev:E

STATUS:Released

Printed: Mar 11, 2011

1			2		3			4		
PRODUCT NO.	"A" DIM	POLARIZATION PEG	PLATING	RECOMMENDED P.C. BOARD THICKNESS	PRODUCT NO.	PLATING	PRODUCT NO.	PLATING	PRODUCT NO.	PLATING
87567-001	3.79	YES	NOTE ④	2.36mm (0.093") AND 3.18mm (0.125")	87567-101	NOTE ⑥	87567-001LF	NOTE ⑧	87567-101LF	NOTE ⑦
-002	3.79	NO			-102		-002LF		-102LF	
-003	4.60	YES			-103		-003LF		-103LF	
87567-004	4.60	NO			87567-104		87567-004LF		87567-104LF	

NOTE 6 NOTE 8 NOTE 7



- NOTES :
- TRUE POSITION NOTES APPLY AT TERMINAL TIP.
 - CONTACTS IN POSITIONS 1 THRU 20,24,25,27,28, 30, 31, 33, AND 34 ARE SHORT TERMINALS. CONTACTS IN POSITIONS 21, 22, 23, 26, 29, 32, AND 35 THRU 40 ARE LONG TERMINALS.
 - RAW MATERIALS:
HOUSING: HTN, UL94V-0, COLOR: BLACK
CONTACTS: PHOSPHOR-BRONZE
 - CONTACT PLATING: 30µ" (0.76µm) MIN. GXT PLATING OVER 50µ" (1.27µm) NICKEL MIN. UNDERPLATE IN CONTACT AREA. 20µ" (0.5µm) MIN. 60µ" (1.5µm) MAX. TIN-LEAD PLATING OVER 50µ" (1.27µm) MIN. NICKEL UNDERPLATE IN P.C. BOARD LEG AREA. 50µ" (1.27µm) MIN. NICKEL UNDERPLATE OVER REMAINING AREA.
 - DIMENSIONS DO NOT APPLY TO CONNECTOR STYLES WITHOUT POLARIZATION PEG. (SEE CHART)
 - CONTACT PLATING: 30µ" (0.76µm) MIN GOLD PLATING OVER 50µ" (1.27µm) NICKEL UNDERPLATE IN CONTACT AREA. 20µ" (0.5µm) MIN-60µ" (1.5µm) MAX TIN-LEAD PLATING OVER 50µ" (1.27µm) MIN. NICKEL UNDERPLATE IN P.C. BOARD LEG AREA. 50µ" (1.27µm) MIN. NICKEL UNDERPLATE OVER REMAINING AREA.
 - CONTACT PLATING: 30µ" (0.76µm) GOLD PLATING OVER 50µ" (1.27µm) NICKEL UNDERPLATE IN CONTACT AREA. 20µ" (0.5µm) - 60µ" (1.5µm) TIN PLATING OVER 50µ" (1.27µm) - 100µ" (2.54µm) NICKEL UNDERPLATE IN P.C. BOARD LEG AREA. 50µ" (1.27µm) NICKEL UNDERPLATE OVER REMAINING AREA.
 - CONTACT PLATING: 30µ" (0.76µm) GXT PLATING OVER 50µ" (1.27µm) NICKEL UNDERPLATE IN CONTACT AREA. 20µ" (0.5µm) - 60µ" (1.5µm) TIN PLATING OVER 50µ" (1.27µm) - 100µ" (2.54µm) NICKEL UNDERPLATE IN P.C. BOARD LEG AREA. 50µ" (1.27µm) NICKEL UNDERPLATE OVER REMAINING AREA.
 - THE HOUSING WILL WITHSTAND EXPOSURE TO 260°C PEAK TEMPERATURE FOR 10 SECONDS IN A CONVECTION, INFRA RED VAPOR PHASE REFLOW OVEN.
 - THIS PRODUCT MEETS EUROPEAN UNION DIRECTIVES AND OTHER COUNTRY REGULATIONS AS DESCRIBED IN GS-22-008.

RECOMMENDED PC BOARD MOUNTING DIMENSIONS COMPONENT SIDE

CONFIDENTIAL

FCI www.fciconnect.com

SCA-2 & FIBER CHANNEL 40 POS. RECEPT. ASSY

product family: SCA-2
size: A
dwg no: 87567
code: -
sheet: 3 of 3

cage code: 22526

mat'l. code		tolerances unless otherwise specified		CUSTOMER COPY	
ltr	ecm no	dr	date	line	projection
E					MM
				angles	scale
				dr	2:1
				enrg	
				chr	
				appd	
sheet index	revision sheet				

All rights strictly reserved. Reproduction or issue to third parties in any form without written authority from the proprietor. Property of FCI. Copyright FCI.



ACAD