

## Excellent Integrated System Limited

Stocking Distributor

Click to view price, real time Inventory, Delivery & Lifecycle Information:

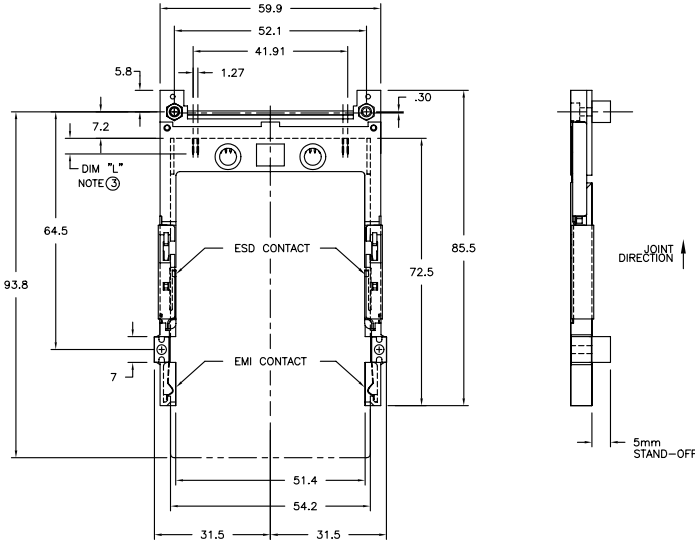
[FCI](#)

[72325-004LF](#)

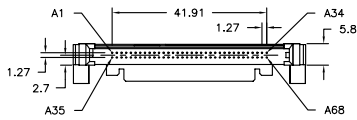
For any questions, you can email us directly:

[sales@integrated-circuit.com](mailto:sales@integrated-circuit.com)

PRODUCT NO.	NOTE
72325-001	5.0V
72325-001LF	5.0V
72325-101	3.3V
72325-101LF	3.3V



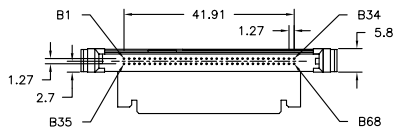
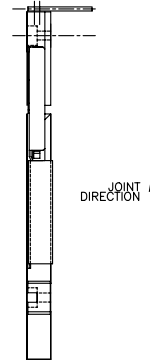
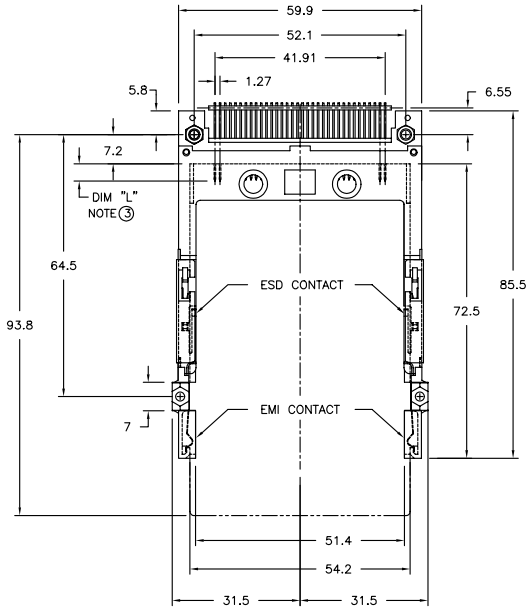
- NOTES:
- HEADER ASSY**  
PLASTIC: HOUSING - HIGH TEMPERATURE THERMOPLASTIC UL94V-0 BLACK - ABOVE PCB  
PIN: PHOSPHOR BRONZE  
**GUIDE MECHANISM ASSY**  
PLASTIC: GUIDE - HIGH TEMPERATURE THERMOPLASTIC UL94V-0 BLACK  
COVER PLATE: STAINLESS STEEL  
EMI CONTACT: PHOSPHOR BRONZE
  - FINISH - PIN  
UNDER PLATING: 0.5µm Ni  
CONTACT AREA: 0.076 µm MIN. GOLD  
SOLDER TAIL(TIN LEAD OPTION): 2.5µm Sn-Pb  
SOLDER TAIL(LEAD FREE OPTION): 2.5µm PURE TIN
- | DIM L" | 4.25±.1 | 3.5±.1           | 5.0±.1 |
|--------|---------|------------------|--------|
| OTHERS | 36,67   | 1,17,34,35,51,68 |        |
- RECOMMENDED HOLD DOWN - 2mm SCREWS  
95121 AND 2mm NUTS 92869.  
SEE FOR CHARTED INFORMATION.  
RECOMMENDED SCREW TORQUE: 1.0 TO 1.5 MAX in-lbs. (1.2-1.7 cm-kgs)
  - SEE TA-1052 FOR PCB LAYOUT.
  - MATING CONNECTOR: 91931-31169. MUST BE PURCHASED SEPARATELY.
  - IF LEAD FREE P/N.THE HOUSING WILL WITHSTAND EXPOSURE TO 260°C PEAK TEMPERATURE FOR 10 SECONDS IN A WAVE SOLDER APPLICATION WITH A 1.00MM MINIMUM THICK CIRCUIT BOARD.
  - IF LEAD FREE P/N.THE PRODUCT MEETS EUROPEAN UNION DIRECTIVES AND OTHER COUNTRY REGULATIONS AS DESCRIBED IN GS-22-008
  - LEAD FREE P/N PACKAGING MEETS GS-14-920 SPECIFICATION
  - PRODUCT SPEC:110-263



mat'l. code	surface	tolerance	projection	product family
	ISDI302 ✓	ISDI101 ISD406		MCS
ltr	ecr	nddr	date	date
F	V05-0302	WB	04/21/05	
C	N05-0116	WB	04/27/05	
H	BX-N-011412	ZK	04/02/12	
	dr	R.GRAPE	8/16/96	
	enr	D.BRANN	8/16/96	
	chr	D.BRANN	8/16/96	
	appd	D.BRANN	8/16/96	
sheet	revision	H	H	H
index	sheet	1	2	3

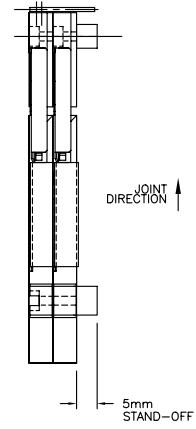
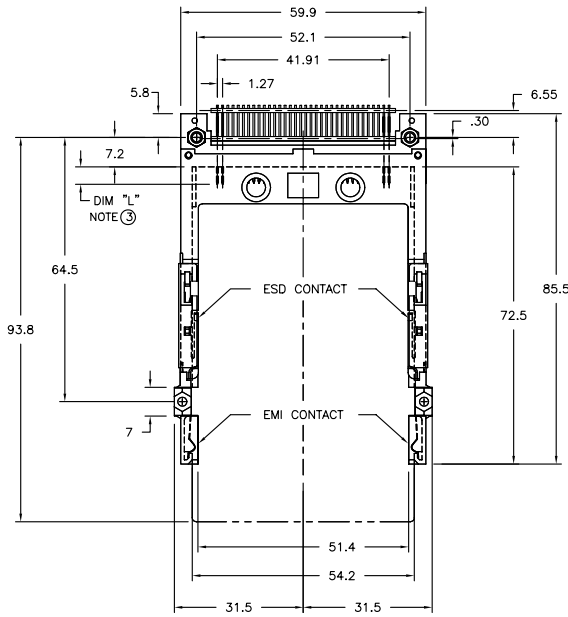
tolerances unless otherwise specified	angles	scale	title
0.X±0.3		MM	EJECTOR HEADER ASSEMBLY
0.XX±0.13		1:1	68 POS. SMT TYPE 123
0.XXX±0.051			
			FCI
			dwg no 72325
			sheet 1 of 5
			size A4
			type Product Customer Drawing

PRODUCT NO.	NOTE
72325-002	5.0V
72325-002LF	5.0V
72325-102	3.3V
72325-102LF	3.3V

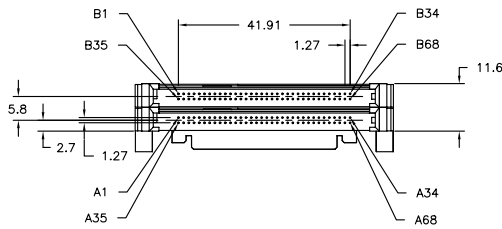


mat'l. code	surface	tolerance	projection	product family
	ISO1302	ISO1101 ISO406	1st angle	MCS
tr/ecn nchr date	tolerances unless otherwisespecified			title
H	0.X±0.3	MM		EJECTOR HEADER ASSEMBLY
	0.XX±0.13		scale 1:1	68 POS. SMT TYPE 123
	0.XXX±0.051			
dr	R.GRAPE	8/16/96		dwg no
enr	D.BRANN	8/16/96		sheet 2 of 5
chr	D.BRANN	8/16/96		size
appd	D.BRANN	8/16/96		A4
sheet	revision			type
index	sheet			Product Customer Drawing

PRODUCT NO.	NOTE
72325-003	5.0V
72325-103	3.3V
72325-003LF	5.0V
72325-103LF	3.3V

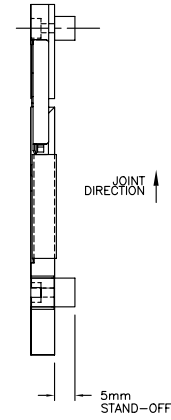
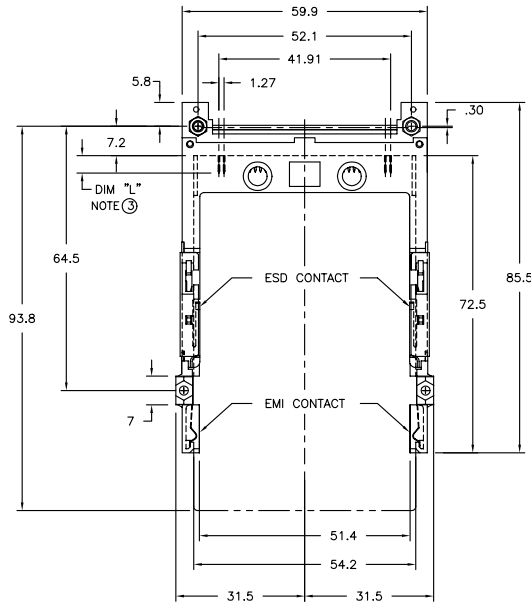


NOTE:  
 TA-1052, PAGE 1, FOR PCB LAYOUT.

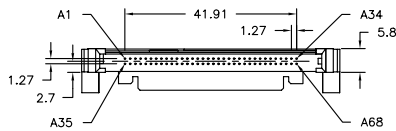


mat'l. code	surface	tolerance	projection	product family
	ISD1302	ISD1101 ISD406	MM	MCS
trn ecn nchr date	tolerances unless otherwise specified			title
H	angle	0.XX±0.3	MM	EJECTOR HEADER ASSEMBLY
	0°±2'	0.XX±0.13	scale 1:1	68 POS. SMT TYPE 123
	dr	R.GRAPE 8/16/96	<b>FCI</b>	dwg no
	enr	D.BRANN 8/16/96		72325
	chr	D.BRANN 8/16/96		sheet 3 of 5
	appd	D.BRANN 8/16/96		size A4
sheet	revision		type	Product Customer Drawing
index	sheet			

PRODUCT NO.	NOTE
72325-004	5.0V
72325-004LF	5.0V
72325-104	3.3V
72325-104LF	3.3V



NOTE:  
 TA-1052, PAGE 3, FOR PCB LAYOUT.

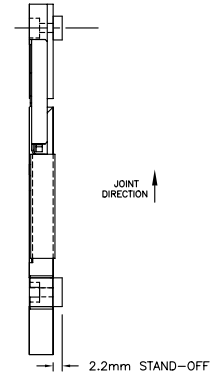
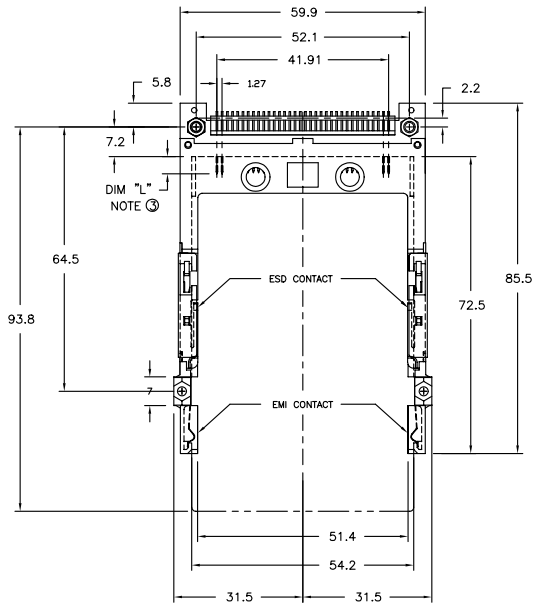


mat'l. code	surface	tolerance	projection	product family
	ISD1302	ISD1101 ISD406	MM	MCS
tr	ec	nd	dr	date
H				
	angle	0.X±0.3		
		0.XX±0.13		
	0±2	0.XXX±0.051	scale 1:1	
dr	R.GRAPE	8/16/96		
engr	D.BRANN	8/16/96		
chr	D.BRANN	8/16/96		
appd	D.BRANN	8/16/96		
sheet	revision			
index	sheet			

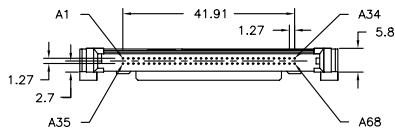


EJECTOR HEADER ASSEMBLY  
 68 POS. SMT TYPE 123  
 dwg no 72325  
 sheet 4 of 5  
 size A4  
 type Product Customer Drawing

PRODUCT NO.	NOTE
72325-005	5.0V
72325-005LF	5.0V
72325-105	3.3V
72325-105LF	3.3V



NOTE:  
 TA-1052, PAGE 3, FOR PCB LAYOUT.



mat'l. code	surface	tolerance	projection	product family
	ISDI302	ISDI101 ISD406		MCS
trn ecn nchr date	tolerances unless otherwise specified			title
H	0.X±0.3			EJECTOR HEADER ASSEMBLY
	angle	0.XX±0.13	MM	68 POS. SMT TYPE 123
	0±2'	0.XXX±0.051	scale 1:1	dwg no 72325
dr	R.GRAPE	8/16/96	<b>FCI</b>	sheet 5 of 5
engr	D.BRANN	8/16/96		size A4
chr	D.BRANN	8/16/96		type Product Customer Drawing
appd	D.BRANN	8/16/96		
sheet index	revision sheet			