

Excellent Integrated System Limited

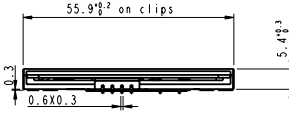
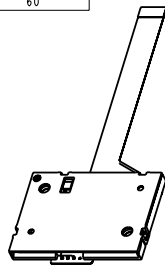
Stocking Distributor

Click to view price, real time Inventory, Delivery & Lifecycle Information:

[FCI](#)
[7361E0225S05LF](#)

For any questions, you can email us directly:
sales@integrated-circuit.com

PART NUMBER	LEAD FREE VERSION	DIM L
7361E0225S05	7361E0225S05LF	90
10013689-001	10013689-001LF	60



GENERAL:
 High cycle life duration smart card connector with landing type contacts mechanism. The landing type connector also provides the feature of recessed contacts when card is not inserted which protects them against vandalism.
 Smart card for reference purposes only.

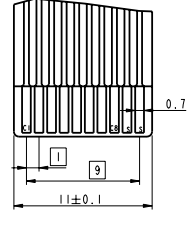
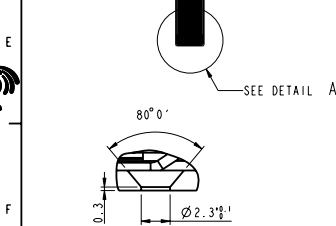
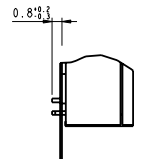
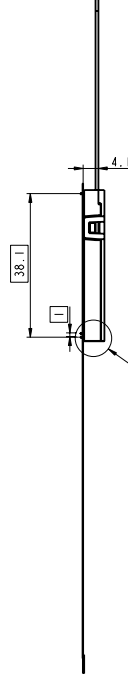
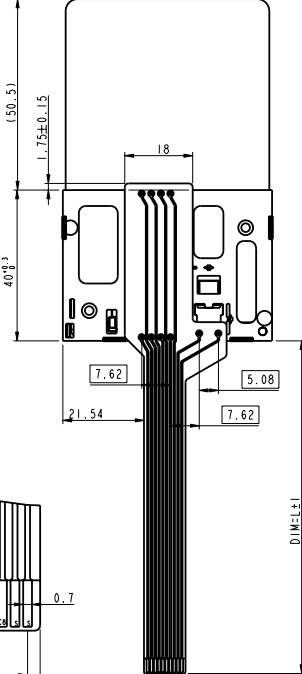
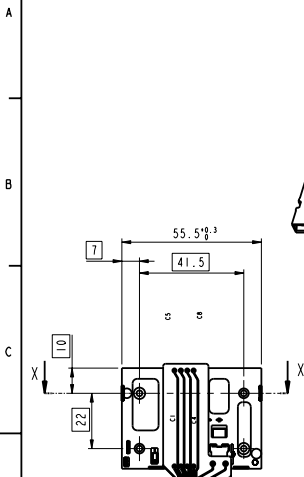
ELECTRICAL PROPERTIES:
 Insulation resistance : > 1000MΩ
 Dielectric withstanding voltage : >750 Vrms
 Current carrying capacity : Min 10gA, Max 1A
 Contact resistance : < 100mΩ

MECHANICAL PROPERTIES:
 Operating force : Insertion : F < 10N
 Withdrawal : 1 < F < 10N
 Contact Normal force : 0.2 < F < 0.3 for 0.6mm of deflection
 Durability : 200 000 mating cycles

MATERIAL:
 Head reader : Thermoplastic, Colour Grey, Rated UL94V0
 Cover : Thermoplastic, Colour Grey, Rated UL94V0
 Contacts : Copper alloy.
 Plating : Gold over Ni or equivalent on contact area
 Sn/Pb over Ni on solder leads (for leaded version)
 Matte tin over Ni on solder leads (for lead free version)

ENVIRONMENT:
 Operating temperature : -40°C / +85°C
 Climatic conditions : UTE 93-421

PACKAGING:
 Plastic cavity tray



LEAD FREE VERSION:
 This product meets European Union Directives and other country regulations as described in GS-22-008

www.fciconnect.com		surface	ISO 1302	tolerance std	ISO 406	projection	ISO 1101	mm
		TOLERANCES UNLESS OTHERWISE SPECIFIED						
Dr	D. LEGRAND	2002/04/29	ANGULAR	0.1	0.1	1:1	A2	Scale
Eng	F. TISSERAND	2002/09/04	LINEAR	0.1	0.1	3:2		
Chr	S.S. CHERIAN	2009/01/24	0°	0.1	0.1	ECN	109-0013	
Appr	S.S. CHERIAN	2009/01/24	Product family	MOBILE I/O	Spec ref			
General Tolerances		F	104-0051	DTA	2004/07/07			
	0 to 10mm	G	105-0101	NT	2005/10/04			
	10 to 30mm	H	105-0078	DTA	2006/06/19			
	30 to 60mm	J	109-1013	SSC	2009/01/24			
	60 and more							

FCI E02 FLEX
 SMART CARD READER VXX 27790
 VJW_53940
 Rev. J