

Excellent Integrated System Limited

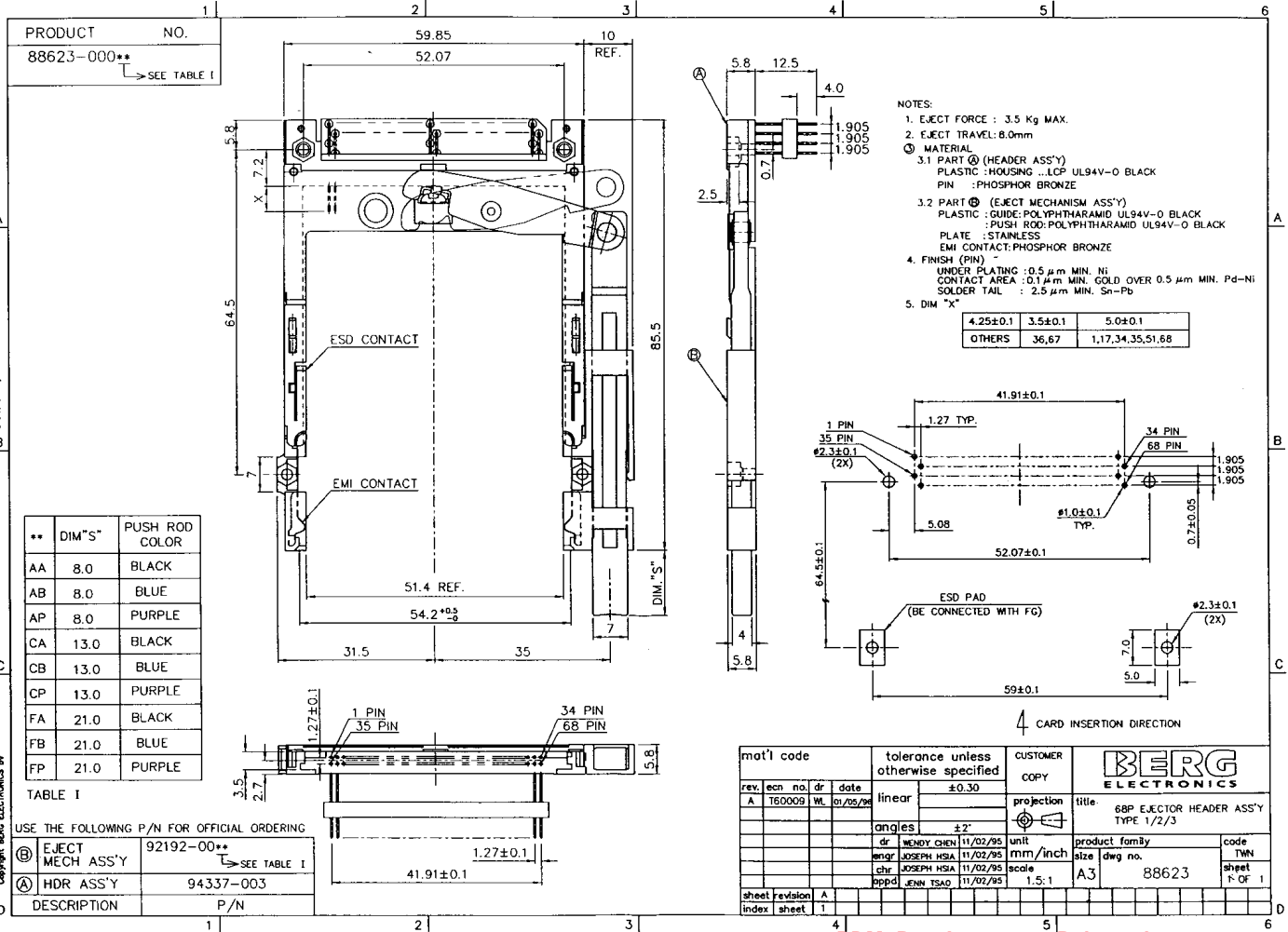
Stocking Distributor

Click to view price, real time Inventory, Delivery & Lifecycle Information:

[FCI](#)
[88623-000CA](#)

For any questions, you can email us directly:
sales@integrated-circuit.com

Tous droits réservés. Toute réimpression, reproduction ou communication sans l'autorisation écrite de BERG ELECTRONICS est formellement interdite.
 All rights reserved. Reproduction or use in any form without written authority from BERG ELECTRONICS is strictly prohibited.
 Copyright © BERG ELECTRONICS



PRODUCT NO.
 88623-000**
 SEE TABLE I

**	DIM "S"	PUSH ROD COLOR
AA	8.0	BLACK
AB	8.0	BLUE
AP	8.0	PURPLE
CA	13.0	BLACK
CB	13.0	BLUE
CP	13.0	PURPLE
FA	21.0	BLACK
FB	21.0	BLUE
FP	21.0	PURPLE

USE THE FOLLOWING P/N FOR OFFICIAL ORDERING

DESCRIPTION	P/N
ⓑ EJECT MECH ASS'Y	92192-00** SEE TABLE I
Ⓐ HDR ASS'Y	94337-003

- NOTES:
- EJECT FORCE : 3.5 Kg MAX.
 - EJECT TRAVEL: 8.0mm
 - MATERIAL
 - 3.1 PART ⓐ (HEADER ASS'Y)
 PLASTIC : HOUSING : LCP UL94V-0 BLACK
 PIN : PHOSPHOR BRONZE
 - 3.2 PART ⓑ (EJECT MECHANISM ASS'Y)
 PLASTIC : GUIDE: POLYPHTHALAMID UL94V-0 BLACK
 PUSH ROD: POLYPHTHALAMID UL94V-0 BLACK
 PLATE : STAINLESS
 EMI CONTACT: PHOSPHOR BRONZE
 - FINISH (PIN)
 UNDER PLATING : 0.5 μm MIN. Ni
 CONTACT AREA : 0.1 μm MIN. GOLD OVER 0.5 μm MIN. Pd-Ni
 SOLDER TAIL : 2.5 μm MIN. Sn-Pb

4.25±0.1	3.5±0.1	5.0±0.1
OTHERS	36,67	1,17,34,35,51,68

mat'l code		tolerance unless otherwise specified		CUSTOMER COPY	BERG ELECTRONICS	
rev.	ecn no.	dr	date	linear	±0.30	projection
A	T60009	WL	01/05/98	angles	±2°	ⓐ
sheet revision		index sheet		dr	WENDY CHEN	11/02/95
				engr	JOSEPH HSA	11/02/95
				chr	JOSEPH HSA	11/02/95
				appd	ENN TSAO	11/02/95
				unit	mm/inch	product family
				scale	1.5:1	size
				size	A3	88623
				code	TWN	sheet 1 OF 1