

Excellent Integrated System Limited

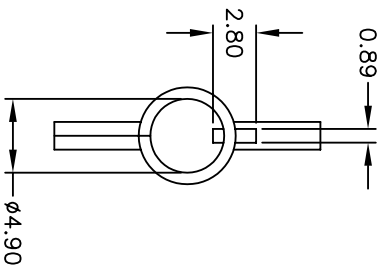
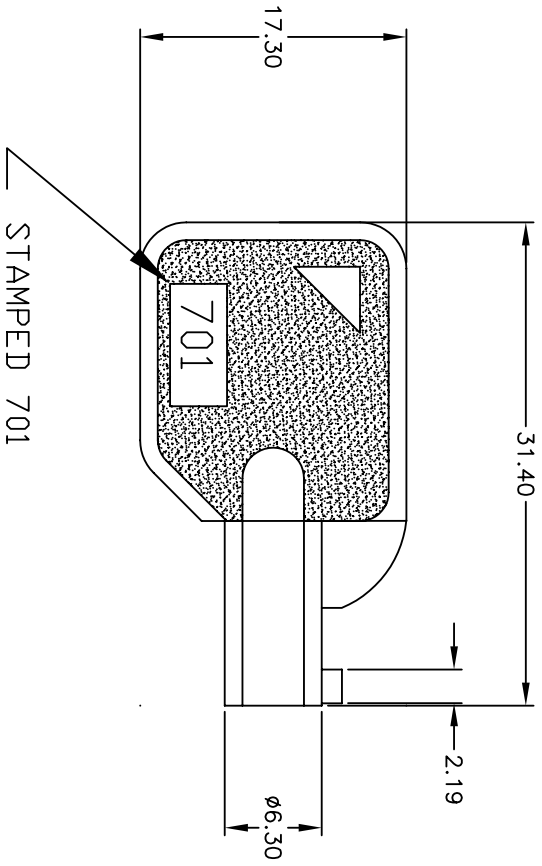
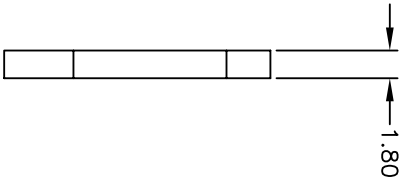
Stocking Distributor

Click to view price, real time Inventory, Delivery & Lifecycle Information:

[E-Switch](#)
[KOKEY701](#)

For any questions, you can email us directly:

sales@integrated-circuit.com



NOTES:

1. ALL DIMENSIONS IN MM
2. GENERAL TOLERANCE: X.XX=±0.25
3. MATERIAL: ZINC ALLOY W/CHROME PLATING.

REV.	ECN No.	DESCRIPTION	DATE	CHKD
A	11772	RELEASED FOR PRODUCTION	10/22/01	CB
<small>THE INFORMATION CONTAINED IN THIS DOCUMENT IS PROPRIETARY TO E-SWITCH AND IS NOT TO BE COPIED OR TRANSFERRED</small>				

E-SWITCH®

K0 KEY 701

TITLE	SCALE	DATE	DR	DWG	REV
K0 KEY 701	2:1	10/22/01	CJB	K900008	A