

Excellent Integrated System Limited

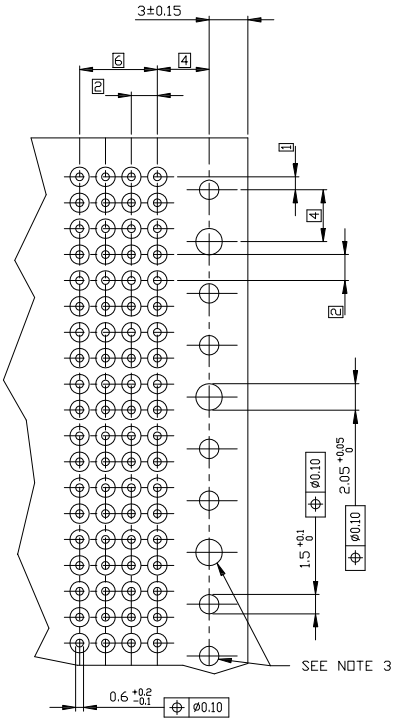
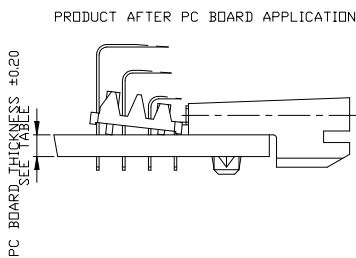
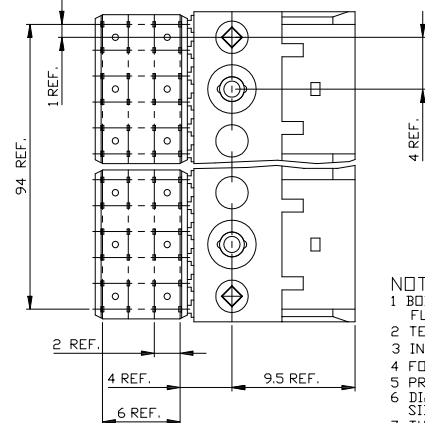
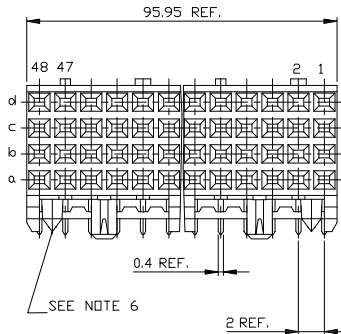
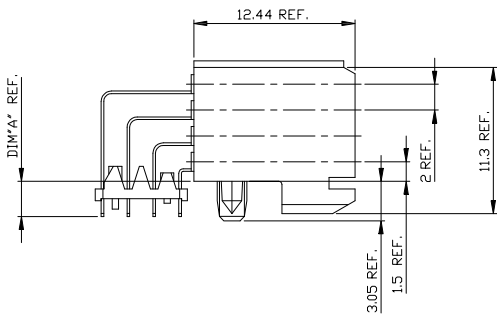
Stocking Distributor

Click to view price, real time Inventory, Delivery & Lifecycle Information:

[FCI](#)
[89038-102LF](#)

For any questions, you can email us directly:
sales@integrated-circuit.com

PC BOARD VERSIONS		
PRODUCTNR:	PCB THICKNESS	DIM*A*
89038-X01/X01LF	1.6	2.90
89038-X11/X11LF	2.4	3.53

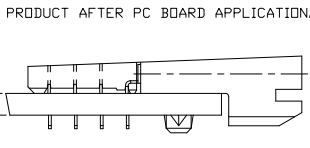
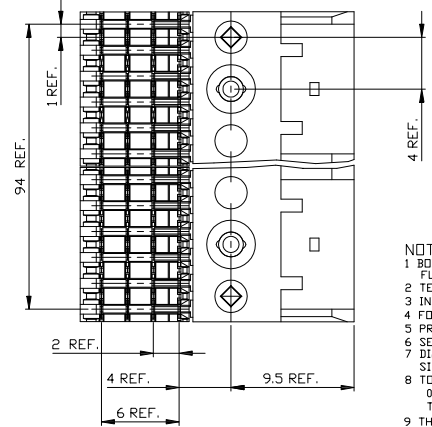
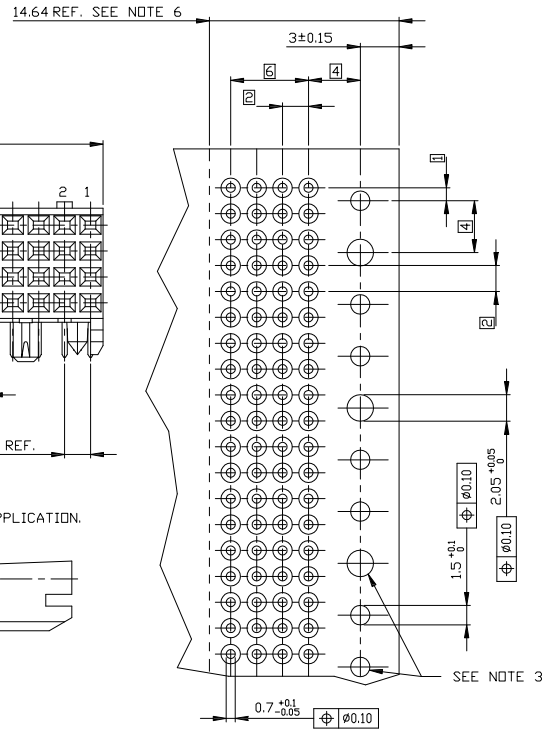
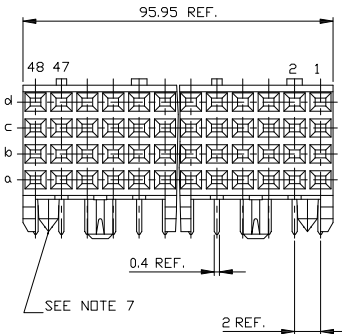
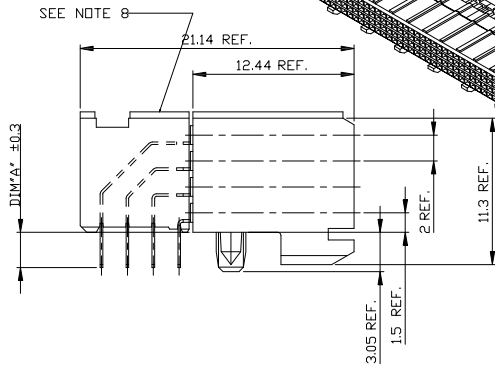
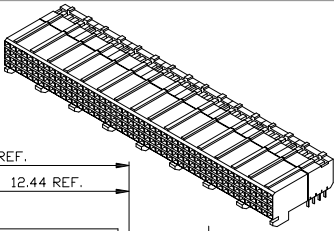


- NOTES:
- 1 BODY MAT'L: LIQUID CRYSTAL POLYMER 30% GLASS FLAME RETARDANT ACC. UL 94-V0
 - 2 TERMINAL MATERIAL: PHOSPHOR BRONZE.
 - 3 INDICATED HOLES ARE UNPLATED.
 - 4 FOR PLATING SPEC, REFER TO DRAWING 10097866.
 - 5 PRODUCT MARKING: PARTNUMBER & BATCH ID.
 - 6 DIAMOND LOCATION PEG ARE ONLY EXISTED ON THE BOTH T. SIDES OF PRODUCT
 - 7 THIS PRODUCT MEETS EUROPEAN UNION DIRECTIVES AND OTHER COUNTRY REGULATIONS AS DESCRIBED IN GS-22-008
 - 8 THE HOUSING WILL WITHSTAND EXPOSURE TO 260DEGREE PEAK TEMPERATURE FOR 10 SECONDS IN A WAVE SOLDER APPLICATION.

PLATING CONTACT AREA:	
DASH NR:	PERFORMANCE LEVEL
-1Y/1Y1LF	TELCORDIA CO
-2Y/2Y1LF	CUSTOMER SPECIAL
-3Y/3Y1LF	CUSTOMER SPECIAL

mat'l. code	tolerances unless otherwise specified	CUSTOMER COPY	FCI	www.fciconnect.com
ltri.ecn.indr.date		projection		title
J 890-004 CU 04/21 linear				RA FEMALE SIGNAL
K 1300-002 Dem 11/25/16				96 mm PRESS PEG
L 800-011 Dem 05/25/07 angles				product family METRAL(tn)
M 800-011 TER 07/26/08 dir H.Boukneq 93202				code 213
N 800-008 Dem 02/03/09 dir H.Boukneq 94031				size dwg no
P 1000-001 Dem 01/15/09 dir J.Vintjes 93203				scale A2
R 1000-001 Dem 01/15/09 dir J.Vintjes 93203				89038
S 1000-001 Dem 01/15/09 dir J.Vintjes 93203				sheet 1 of 3
T 1000-001 Dem 01/15/09 dir J.Vintjes 93203				
U 1000-001 Dem 01/15/09 dir J.Vintjes 93203				
V 1000-001 Dem 01/15/09 dir J.Vintjes 93203				
W 1000-001 Dem 01/15/09 dir J.Vintjes 93203				
X 1000-001 Dem 01/15/09 dir J.Vintjes 93203				
Y 1000-001 Dem 01/15/09 dir J.Vintjes 93203				
Z 1000-001 Dem 01/15/09 dir J.Vintjes 93203				

PC BOARD VERSIONS		
PRODUCT NR.	PCB THICKNESS	DIM"A"
89038-X02/X02LF	1.6	2.90
89038-X12/X12LF	2.4	3.53

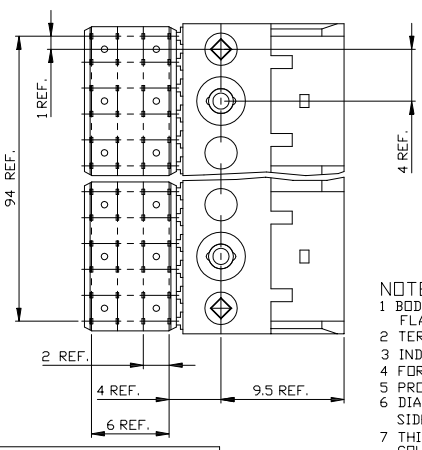
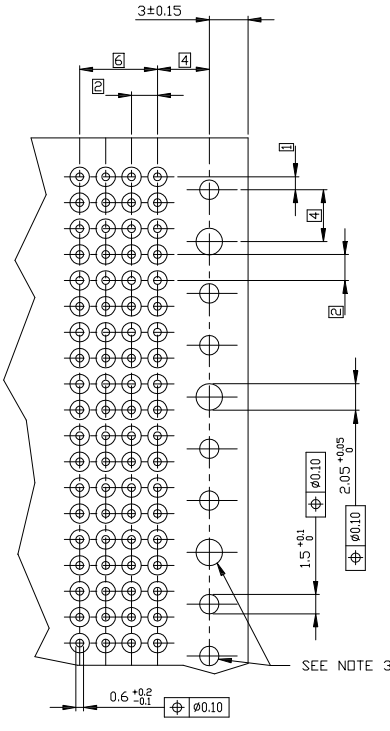
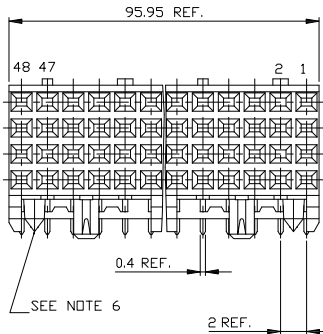
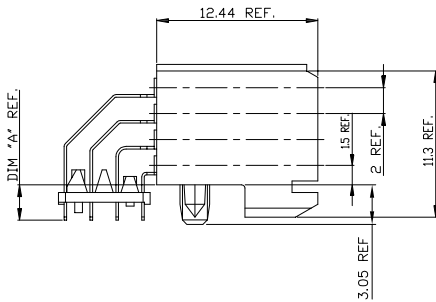


- NOTES:**
- 1 BODY MAT'L: LIQUID CRYSTAL POLYMER 30% GLASS
 - 2 FLAME RETARDANT ACC. UL 94-V0
 - 3 TERMINAL MATERIAL: PHOSPHOR BRONZE
 - 4 INDICATED HOLES ARE UNPLATED
 - 4 FOR PLATING SPEC, REFER TO DRAWING 10097866.
 - 5 PRODUCT MARKING: PARTNUMBER & BATCH ID.
 - 6 SET BACK FOR PRESS BLOCK.
 - 7 DIAMOND LOCATION PEG ARE ONLY EXISTED ON THE BOTH SIDES OF PRODUCT.
 - 8 TOP SURFACE OF PRESS BLOCK MAY EXTEND UP TO 0.4MM HIGHER THAN HOUSING. THIS MAY AFFECT THE TAIL LENGTH BEFORE APPLICATION TO A BOARD
 - 9 THIS PRODUCT MEETS EUROPEAN UNION DIRECTIVES AND OTHER COUNTRY REGULATIONS AS DESCRIBED IN GS-22-008
 - 10 THE HOUSING WILL WITHSTAND EXPOSURE TO 260DEGREE PEAK TEMPERATURE FOR 10 SECONDS IN A WAVE SOLDER APPLICATION.

PLATING CONTACT AREA:	
DASH NR.	PERFORMANCE LEVEL
-1YY/1YYLF	TELCORDIA CO
-2YY/2YYLF	CUSTOMER SPECIAL
-3YY/3YYLF	CUSTOMER SPECIAL

mat'l. code	tolerances unless otherwise specified	CUSTOMER COPY	FCI	www.fciconnect.com
ltr/ecn ngdr date	linear	projection	title RA FEMALE SIGNAL	
n	angles	scale	96 mm PRESS PEG	
dr	B. de B.	mm	product family	METRAL(tm)
origi	P. Schalk	size	dwg no	213
chrt	P. Schalk	scale	A2	89038
appd	H. Coolmans	sheet	2 of 2	
sheet index	revision sheet			

PC BOARD VERSIONS		
PRODUCTNR:	PCB THICKNESS	DIM*A*
89038-X03/X03LF	1.6	2.90
89038-X13/X13LF	2.4	3.53



PRODUCT AFTER PC BOARD APPLICATION.

PC BOARD THICKNESS ±0.20
SEE TABLE

NOTES:

- 1 BODY MAT'L: LIQUID CRYSTAL POLYMER 30% GLASS
FLAME RETARDANT ACC. UL 94-V0
- 2 TERMINAL MATERIAL: PHOSPHOR BRONZE.
- 3 INDICATED HOLES ARE UNPLATED.
- 4 FOR PLATING SPEC, REFER TO DRAWING 10097866.
- 5 PRODUCT MARKING: PARTNUMBER & BATCH ID.
- 6 DIAMOND LOCATION PEG ARE ONLY EXISTED ON THE BOTH SIDES OF PRODUCT.
- 7 THIS PRODUCT MEETS EUROPEAN UNION DIRECTIVES AND OTHER COUNTRY REGULATIONS AS DESCRIBED IN GS-22-008
- 8 THE HOUSING WILL WITHSTAND EXPOSURE TO 260DEGREE PEAK TEMPERATURE FOR 10 SECONDS IN A WAVE SOLDER APPLICATION.

PLATING CONTACT AREA:	
DASH NR:	PERFORMANCE LEVEL
-1YY/TYYL	TELCORDIA CO
-2YY/ZYYL	CUSTOMER SPECIAL
-3YY/3YYL	CUSTOMER SPECIAL

mat'l code	tolerances unless otherwise specified	CUSTOMER COPY	FCI	www.fciconnection
lit/ecn ngdr date	linear	projection	title	RA FEMALE SIGNAL
	angles	ϕ	size	96 mm PRESS PEG
	dr Heaven Cm 11/23/06	mm	product family	METRAL(tn)
	enrgl Collin Lu 11/23/06	scale	size dwg no	213
	lchr Beer Fu 11/23/06	51	sheet	3 of 3
	lappd Joseph Hsu 11/23/06	scale		
sheet index	revision sheet			