

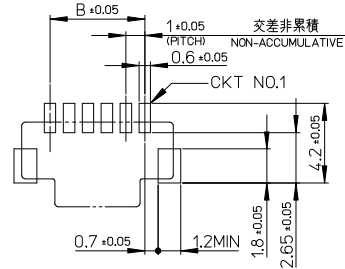
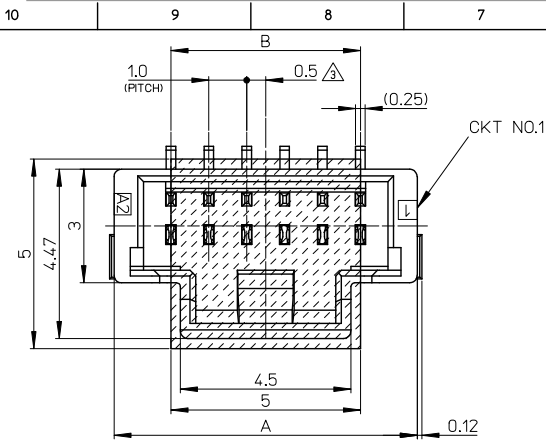
Excellent Integrated System Limited

Stocking Distributor

Click to view price, real time Inventory, Delivery & Lifecycle Information:

[Molex Connector Corporation](#)
[501331-0707](#)

For any questions, you can email us directly:
sales@integrated-circuit.com

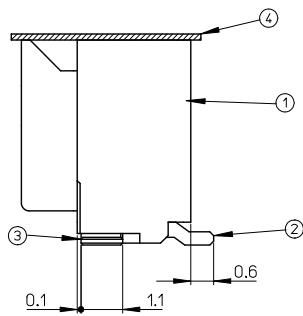


参考パターンレイアウト
RECOMMENDED PATTERN DIM. (REF)
SCALE:5:1

| 番号 NO. | 部品 PART | 材質 MATERIAL |
|--------|----------------------|--|
| ① | ウエハー WAFER | 耐熱ナイロン樹脂 UL94V-0 色:表参照 HEAT RESISTANCE NYLON UL94V-0, COLORSEE TABLE |
| ② | ソルダーピン SOLDER PIN | りん青銅 PHOSPHOR BRONZE 錫メッキ: 1.0μmMIN. TIN ニッケルメッキ(下地): 1.0μmMIN. NICKEL(UNDER PLATING) |
| ③ | ネイル NAIL | りん青銅 PHOSPHOR BRONZE 錫メッキ: 1.0μmMIN. TIN ニッケルメッキ(下地): 1.0μmMIN. NICKEL(UNDER PLATING) |
| ④ | カバーテープ COVER TAPE | ポリイミドテープ POLYIMIDE TAPE |

※対応可能な極数は、別途お問い合わせ下さい。

| | | | | |
|------|------|--------------|------|--------------|
| 14.0 | 17.0 | 501331-1507 | 15 | 501331-***07 |
| 13.0 | 16.0 | 501331-1407 | 14 | |
| 12.0 | 15.0 | 501331-1307 | 13 | |
| 11.0 | 14.0 | 501331-1207 | 12 | |
| 10.0 | 13.0 | 501331-1107 | 11 | |
| 9.0 | 12.0 | 501331-1007 | 10 | |
| 8.0 | 11.0 | 501331-0907 | 9 | |
| 7.0 | 10.0 | 501331-0807 | 8 | |
| 6.0 | 9.0 | 501331-0707 | 7 | |
| 5.0 | 8.0 | 501331-0607 | 6 | |
| B | A | MATERIAL NO. | CKT. | MODEL NO. |




- NOTES.
- 嵌合相手: 501330-****
MATE WITH: 501330-****
 - ソルダーピン及びネイル平坦度は、0.1MAX.
SOLDER PIN AND NAIL COPLANARITY TO BE 0.1MAX.
 - 極数=偶数に適用
APPLY FOR CKT SIZE=EVEN
 - 2~5極は、SD-501331-001を参照下さい。
REFER TO SD-501331-001 ABOUT 2-5CKT.
 - ELV及びRoHS適合品。
ELV AND RoHS COMPLIANT.

| | | | | | | | |
|---|--|--------------|----------------------------|--------------------|--|------------------------|---------------------------|
| REVISED EC NO. J2014-1509 DRAWN:TAJIMA01 2014/04/04 CHKD:KASAKAWA 2014/04/07 APPR:MIKITA 2014/04/07 | GENERAL TOLERANCES (UNLESS SPECIFIED) | | DIMENSION STYLE MM ONLY | | SCALE 10:1 | DESIGN UNITS METRIC | THIRD ANGLE PROJECTION |
| | 10 UNDER | ±0.2 | DRAWN BY NYOSHIDA | DATE 2004/07/30 | TITLE 1.0 WIRE TO BOARD CONN. WAFER ASS'Y (1-ROW S/T) 6-15CKT molex DOCUMENT NO. SD-501331-002 SHEET NO. 1 OF 2 | | |
| | 10 OVER 30 UNDER | ±0.25 | CHECKED BY MYAGI | DATE 2004/07/30 | | | |
| | 30 OVER | ±0.3 | APPROVED BY MIYAZAWA | DATE 2004/07/30 | | | |
| ANGULAR | ±3° | MATERIAL NO. | SEE TABLE | | | | |
| J | DRAFT WHERE APPLICABLE MUST REMAIN WITHIN DIMENSIONS | | SIZE A3 | | THIS DRAWING CONTAINS INFORMATION THAT IS PROPRIETARY TO MOLEX INCORPORATED AND SHOULD NOT BE USED WITHOUT WRITTEN PERMISSION | | |

10 9 8 7 6 5 4 3 2 1

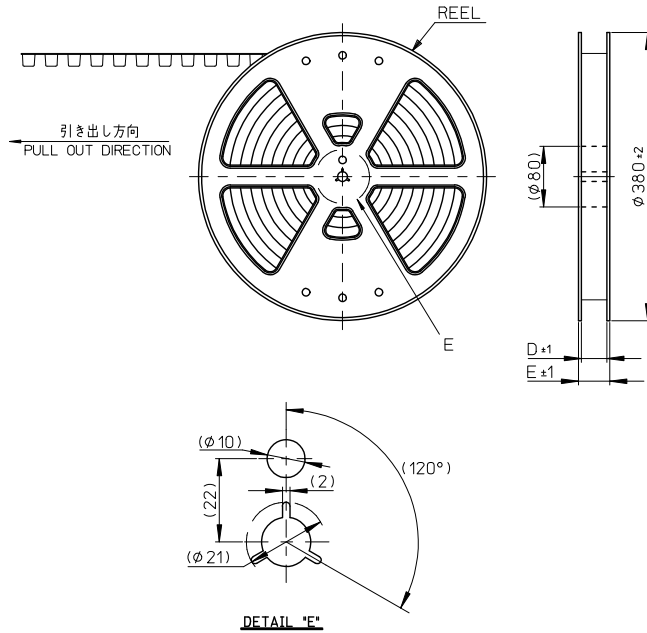
| 紫 PA46 VIOLET | 橙 PA46 ORANGE | 茶 PA46 BROWN | 緑 PA46 GREEN | 色 COLOR |
|------------------|------------------|------------------|------------------|----------------|
| 501331-1597 | 501331-1587 | 501331-1577 | 501331-1567 | 15 |
| 501331-1497 | 501331-1487 | 501331-1477 | 501331-1467 | 14 |
| 501331-1397 | 501331-1387 | 501331-1377 | 501331-1367 | 13 |
| 501331-1297 | 501331-1287 | 501331-1277 | 501331-1267 | 12 |
| 501331-1197 | 501331-1187 | 501331-1177 | 501331-1167 | 11 |
| 501331-1097 | 501331-1087 | 501331-1077 | 501331-1067 | 10 |
| 501331-0997 | 501331-0987 | 501331-0977 | 501331-0967 | 9 |
| 501331-0897 | 501331-0887 | 501331-0877 | 501331-0867 | 8 |
| 501331-0797 | 501331-0787 | 501331-0777 | 501331-0767 | 7 |
| 501331-0697 | 501331-0687 | 501331-0677 | 501331-0667 | 6 |
| EMBOSSED PACKAGE | EMBOSSED PACKAGE | EMBOSSED PACKAGE | EMBOSSED PACKAGE | 極数 CIRCUITS |
| オーダー番号 ORDER NO. | オーダー番号 ORDER NO. | オーダー番号 ORDER NO. | オーダー番号 ORDER NO. | |

| 青 PA46 BLUE | 黄 PA46 YELLOW | 赤 PA46 RED | 黒 PA46 BLACK | 自然色 PA6T NATURAL | 色 COLOR |
|------------------|------------------|------------------|------------------|---------------------|----------------|
| 501331-1547 | 501331-1537 | 501331-1527 | | 501331-1507 | 15 |
| 501331-1447 | 501331-1437 | 501331-1427 | | 501331-1407 | 14 |
| 501331-1347 | 501331-1337 | 501331-1327 | | 501331-1307 | 13 |
| 501331-1247 | 501331-1237 | 501331-1227 | | 501331-1207 | 12 |
| 501331-1147 | 501331-1137 | 501331-1127 | | 501331-1107 | 11 |
| 501331-1047 | 501331-1037 | 501331-1027 | | 501331-1007 | 10 |
| 501331-0947 | 501331-0937 | 501331-0927 | 501331-0917 | 501331-0907 | 9 |
| 501331-0847 | 501331-0837 | 501331-0827 | 501331-0817 | 501331-0807 | 8 |
| 501331-0747 | 501331-0737 | 501331-0727 | | 501331-0707 | 7 |
| 501331-0647 | 501331-0637 | 501331-0627 | 501331-0617 | 501331-0607 | 6 |
| EMBOSSED PACKAGE | EMBOSSED PACKAGE | EMBOSSED PACKAGE | EMBOSSED PACKAGE | EMBOSSED PACKAGE | 極数 CIRCUITS |
| オーダー番号 ORDER NO. | オーダー番号 ORDER NO. | オーダー番号 ORDER NO. | オーダー番号 ORDER NO. | オーダー番号 ORDER NO. | |

| | | | | | | | |
|--|---------------------------------------|--------------|----------------------------|--------------------|---|------------------------|------------------------|
| REVISED EC NO. J2014-1509 DRAWN BY TAJI MAO CHIKIDAKAWA APPROVED BY APPR. MIYAZAWA DESCRIPTION 2014/04/04 2014/04/07 2014/04/07 | GENERAL TOLERANCES (UNLESS SPECIFIED) | | DIMENSION STYLE MM ONLY | | SCALE --- | DESIGN UNITS METRIC | THIRD ANGLE PROJECTION |
| | 10 UNDER | ± 0.2 | DRAWN BY NYOSHIDA | DATE 2004/07/30 | TITLE 1.0 WIRE TO BOARD CONN. WAFER ASS'Y (1-ROW S/T) 6-15CKT | | |
| | 10 OVER 30 UNDER | ± 0.25 | CHECKED BY MYAGI | DATE 2004/07/30 |  | | |
| | 30 OVER | ± 0.3 | APPROVED BY MIYAZAWA | DATE 2004/07/30 | | | |
| ANGULAR ± 3 ° | | MATERIAL NO. | | DOCUMENT NO. | SHEET NO. | | |
| DRAFT WHERE APPLICABLE MUST REMAIN WITHIN DIMENSIONS | | SEE TABLE | | SD-501331-002 | | 2 OF 2 | |
| SIZE A3 THIS DRAWING CONTAINS INFORMATION THAT IS PROPRIETARY TO MOLEX INCORPORATED AND SHOULD NOT BE USED WITHOUT WRITTEN PERMISSION | | | | | | | |

9 8 7 6 5 4 3 2 1

10 9 8 7 6 5 4 3 2 1

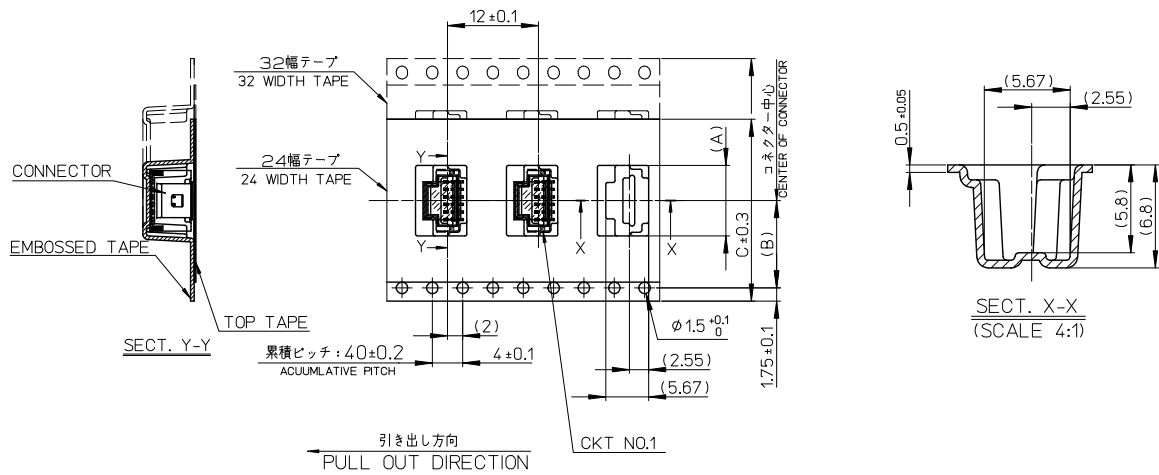


NOTES.

- 製品詳細寸法については製品単体図面を参照ください。
ABOUT DETAILED DIMENSION, SEE PRODUCT DRAWING.
 - 梱包数量: 1,100個/リール
NUMBER OF CONNECTORS: 1100PIECES/REEL
 - リードテープ長さ
LEAD TAPE LENGTH
トップテープ接着部 (空エンボス)
20 PIECES, MIN.
TOP TAPE BONDED PART (EMPTY)
-
- 材料
MATERIAL
キャリアテープ: ポリプロピレン
CARRIER TAPE: POLYPROPYLENE
トップテープ: PET, PE, REF
TOP TAPE
リール: ポリスチレン (リサイクル材を含む)
REEL: POLYSTYRENE (RECYCLE MATERIAL CONTAINED)
 - ELV 及び RoHS適合品
ELV AND RoHS COMPLIANT.
 - ハイバリア梱包 (シリカゲル入り) 対応品である。(501331-**-07除く)
THIS PRODUCT IS HIGH BARRIER PACKAGE.(WITH SILICAGEL)
(BESIDES 501331-**-07)
 - 開梱後の保管条件に注意のこと。(ハイバリア品対象: PS-501331-001参照)
REFER TO PS-501331-001(HIGH BARRIER PRODUCT)
FOR CONDITIONS AFTER OPEN.

| | | | | | | |
|---|--|--|----------------------------|-------------------------------|---|---------------------------|
| REVISED EC NO: J2014-1509 DRAWN:TAJIMA01 2014/04/04 CHKD:KASAKAWA 2014/04/07 APPR:MIKITA 2014/04/07 | GENERAL TOLERANCES (UNLESS SPECIFIED) | | DIMENSION STYLE MM ONLY | SCALE --- | DESIGN UNITS METRIC | THIRD ANGLE PROJECTION |
| | 10 UNDER | ± 0.2 | DRAWN BY NYOSHIDA | DATE 2005/01/18 | TITLE 1.0 WIRE TO BOARD CONN. WAFER ASS'Y (1-ROW S/T) EMBSTP PKG | |
| | 10 OVER 30 UNDER | ± 0.25 | CHECKED BY MYAGI | DATE 2005/01/18 | | |
| | 30 OVER | ± 0.3 | APPROVED BY ANODA | DATE 2005/01/18 | | |
| ANGULAR ±1 ° | | MATERIAL NO. SEE SHEET 3 | | DOCUMENT NO. SD-501331-004 | SHEET NO. 1 OF 3 | |
| DRAFT WHERE APPLICABLE MUST REMAIN WITHIN DIMENSIONS | | SIZE A3 THIS DRAWING CONTAINS INFORMATION THAT IS PROPRIETARY TO MOLEX INCORPORATED AND SHOULD NOT BE USED WITHOUT WRITTEN PERMISSION | | | | |

9 8 7 6 5 4 3 2



| | | | | | |
|------|------|----|------|------|----------------------|
| 37.4 | 33.4 | 32 | 14.2 | 18.3 | 5013311507 |
| | | | | 17.3 | 5013311407 |
| | | | | 16.3 | 5013311307 |
| | | | | 15.3 | 5013311207 |
| | | | | 14.3 | 5013311107 |
| | | | | 13.3 | 5013311007 |
| 29.4 | 25.4 | 24 | 11.5 | 12.3 | 5013310907 |
| | | | | 11.3 | 5013310807 |
| | | | | 10.3 | 5013310707 |
| | | | | 9.3 | 5013310607 |
| E | D | C | (B) | (A) | 製品番号 MATERIAL NO. |

| | | | | | | | |
|---|---------------------------------------|--|----------------------------|-----------------------------|---|------------------------|------------------------|
| REVISED EC NO. J2014-1509 DRAWN: TAJI MAO1 2014/04/04 CHKD: KASAKAWA 2014/04/07 APPR: NIKITA 2014/04/07 | GENERAL TOLERANCES (UNLESS SPECIFIED) | | DIMENSION STYLE MM ONLY | | SCALE --- | DESIGN UNITS METRIC | THIRD ANGLE PROJECTION |
| | 10 UNDER | ± 0.2 | DRAWN BY NYOSHIDA | DATE 2005/01/18 | TITLE 1.0 WIRE TO BOARD CONN. WAFER ASS'Y (1-ROW S/T) EMBSTP PKG molex | | |
| | 10 OVER 30 UNDER | ± 0.25 | CHECKED BY MYAGI | DATE 2005/01/18 | | | |
| | 30 OVER | ± 0.3 | APPROVED BY ANODA | DATE 2005/01/18 | | | |
| | ANGULAR ±1° | DRAFT WHERE APPLICABLE MUST REMAIN WITHIN DIMENSIONS | | MATERIAL NO. SEE SHEET 3 | DOCUMENT NO. SD-501331-004 | SHEET NO. 2 OF 3 | |
| SIZE A3 THIS DRAWING CONTAINS INFORMATION THAT IS PROPRIETARY TO MOLEX INCORPORATED AND SHOULD NOT BE USED WITHOUT WRITTEN PERMISSION | | | | | | | |

10 9 8 7 6 5 4 3 2 1

| 紫 VIOLET | 橙 ORANGE | 茶 BROWN | 緑 GREEN | 色 COLOR | |
|------------------|------------------|------------------|------------------|------------------|----------------|
| 501331-1597 | 501331-1587 | 501331-1577 | 501331-1567 | 15 | |
| 501331-1497 | 501331-1487 | 501331-1477 | 501331-1467 | 14 | |
| 501331-1397 | 501331-1387 | 501331-1377 | 501331-1367 | 13 | |
| 501331-1297 | 501331-1287 | 501331-1277 | 501331-1267 | 12 | |
| 501331-1197 | 501331-1187 | 501331-1177 | 501331-1167 | 11 | |
| 501331-1097 | 501331-1087 | 501331-1077 | 501331-1067 | 10 | |
| 501331-0997 | 501331-0987 | 501331-0977 | 501331-0967 | 9 | |
| 501331-0897 | 501331-0887 | 501331-0877 | 501331-0867 | 8 | |
| 501331-0797 | 501331-0787 | 501331-0777 | 501331-0767 | 7 | |
| 501331-0697 | 501331-0687 | 501331-0677 | 501331-0667 | 6 | |
| EMBOSSED PACKAGE | EMBOSSED PACKAGE | EMBOSSED PACKAGE | EMBOSSED PACKAGE | 極数 CIRCUITS | |
| オーダー番号 ORDER NO. | オーダー番号 ORDER NO. | オーダー番号 ORDER NO. | オーダー番号 ORDER NO. | | |
| 青 BLUE | 黄 YELLOW | 赤 RED | 黒 BLACK | 自然色 NATURAL | 色 COLOR |
| 501331-1547 | 501331-1537 | 501331-1527 | | 501331-1507 | 15 |
| 501331-1447 | 501331-1437 | 501331-1427 | | 501331-1407 | 14 |
| 501331-1347 | 501331-1337 | 501331-1327 | | 501331-1307 | 13 |
| 501331-1247 | 501331-1237 | 501331-1227 | | 501331-1207 | 12 |
| 501331-1147 | 501331-1137 | 501331-1127 | | 501331-1107 | 11 |
| 501331-1047 | 501331-1037 | 501331-1027 | | 501331-1007 | 10 |
| 501331-0947 | 501331-0937 | 501331-0927 | 501331-0917 | 501331-0907 | 9 |
| 501331-0847 | 501331-0837 | 501331-0827 | 501331-0817 | 501331-0807 | 8 |
| 501331-0747 | 501331-0737 | 501331-0727 | | 501331-0707 | 7 |
| 501331-0647 | 501331-0637 | 501331-0627 | 501331-0617 | 501331-0607 | 6 |
| EMBOSSED PACKAGE | EMBOSSED PACKAGE | EMBOSSED PACKAGE | EMBOSSED PACKAGE | EMBOSSED PACKAGE | 極数 CIRCUITS |
| オーダー番号 ORDER NO. | オーダー番号 ORDER NO. | オーダー番号 ORDER NO. | オーダー番号 ORDER NO. | オーダー番号 ORDER NO. | |

| | | | | | | | |
|--|---------------------------------------|--------------|----------------------------|--------------------|---|------------------------|------------------------|
| REVISED IEC NO. J2014-1509 T1 DRAWN:TAJIMA01 CHIKUDASAKAWA APPROX:MIKITA 2014/04/04 2014/04/07 2014/04/07 | GENERAL TOLERANCES (UNLESS SPECIFIED) | | DIMENSION STYLE MM ONLY | | SCALE --- | DESIGN UNITS METRIC | THIRD ANGLE PROJECTION |
| | 10 UNDER | ±0.2 | DRAWN BY NYOSHIDA | DATE 2005/01/18 | TITLE 1.0 WIRE TO BOARD CONN. WAFER ASS'Y (1-ROW S/T) EMBSTP PKG molex | | |
| | 10 OVER 30 UNDER | ±0.25 | CHECKED BY MYAGI | DATE 2005/01/18 | | | |
| | 30 OVER | ±0.3 | APPROVED BY ANODA | DATE 2005/01/18 | | | |
| ANGULAR ±1 ° | | MATERIAL NO. | | DOCUMENT NO. | SHEET NO. | | |
| DRAFT WHERE APPLICABLE MUST REMAIN WITHIN DIMENSIONS | | SEE TABLE | | SD-501331-004 | 3 OF 3 | | |
| SIZE A3 THIS DRAWING CONTAINS INFORMATION THAT IS PROPRIETARY TO MOLEX INCORPORATED AND SHOULD NOT BE USED WITHOUT WRITTEN PERMISSION | | | | | | | |