

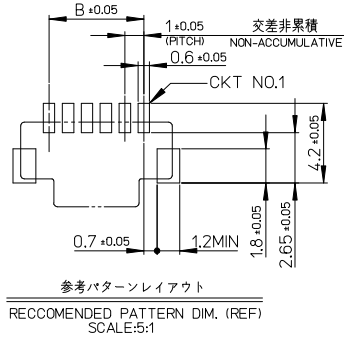
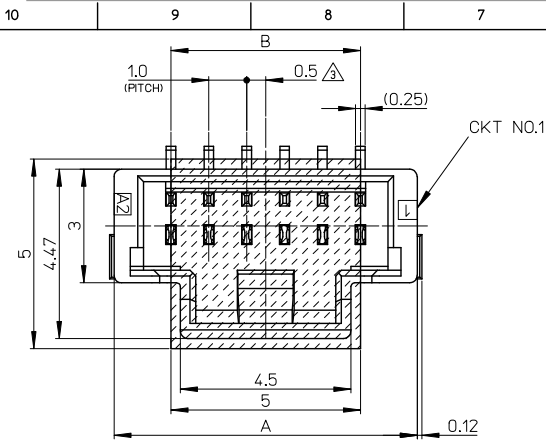
Excellent Integrated System Limited

Stocking Distributor

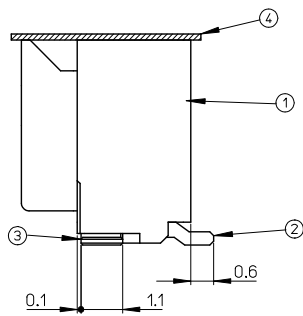
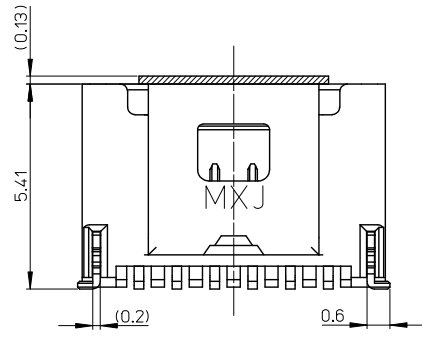
Click to view price, real time Inventory, Delivery & Lifecycle Information:

[Molex Connector Corporation](#)
[501331-0907](#)

For any questions, you can email us directly:
sales@integrated-circuit.com



番号 NO.	部品 PART	材質 MATERIAL
①	ウエハー WAFER	耐熱ナイロン樹脂 UL94V-0 色:表参照 HEAT RESISTANCE NYLON UL94V-0, COLORSEE TABLE
②	ソルダーピン SOLDER PIN	りん青銅 PHOSPHOR BRONZE 錫メッキ: 1.0μmMIN. TIN ニッケルメッキ(下地): 1.0μmMIN. NICKEL(UNDER PLATING)
③	ネイル NAIL	りん青銅 PHOSPHOR BRONZE 錫メッキ: 1.0μmMIN. TIN ニッケルメッキ(下地): 1.0μmMIN. NICKEL(UNDER PLATING)
④	カバーテープ COVER TAPE	ポリイミドテープ POLYIMIDE TAPE



※対応可能な極数は、別途お問い合わせ下さい。

14.0	17.0	501331-1507	15	501331-***07
13.0	16.0	501331-1407	14	
12.0	15.0	501331-1307	13	
11.0	14.0	501331-1207	12	
10.0	13.0	501331-1107	11	
9.0	12.0	501331-1007	10	
8.0	11.0	501331-0907	9	
7.0	10.0	501331-0807	8	
6.0	9.0	501331-0707	7	
5.0	8.0	501331-0607	6	
B	A	MATERIAL NO.	CKT.	MODEL NO.

- NOTES.
1. 嵌合相手: 501330-****
MATE WITH: 501330-****
 2. ソルダーピン及びネイル平坦度は、0.1MAX.
SOLDER PIN AND NAIL COPLANARITY TO BE 0.1MAX.
 - △ 極数=偶数に適用
APPLY FOR CKT SIZE=EVEN
 4. 2~5極は、SD-501331-001を参照下さい。
REFER TO SD-501331-001 ABOUT 2-5CKT.
 5. ELV及びRoHS適合品。
ELV AND RoHS COMPLIANT.

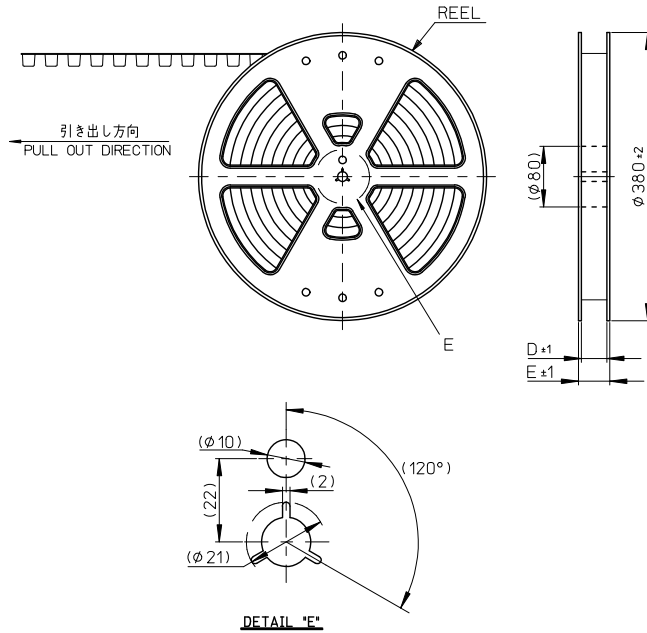
REVISED EC NO. J2014-1509 DRAWN: TAJI MAO1 2014/04/04 CHKD: KASAKAWA 2014/04/07 APPR: NIKITA 2014/04/07	GENERAL TOLERANCES (UNLESS SPECIFIED)		DIMENSION STYLE MM ONLY		SCALE 10:1	DESIGN UNITS METRIC	THIRD ANGLE PROJECTION	
	10 UNDER	±0.2	DRAWN BY NYOSHIDA	DATE 2004/07/30	TITLE 1.0 WIRE TO BOARD CONN. WAFER ASS'Y (1-ROW S/T) 6-15CKT			
	10 OVER 30 UNDER	±0.25	CHECKED BY MYAGI	DATE 2004/07/30				
	30 OVER	±0.3	APPROVED BY MIYAZAWA	DATE 2004/07/30				
ANGULAR	±3°	MATERIAL NO.		DOCUMENT NO. SD-501331-002	SHEET NO. 1 OF 2			
DRAFT WHERE APPLICABLE MUST REMAIN WITHIN DIMENSIONS		SIZE A3	THIS DRAWING CONTAINS INFORMATION THAT IS PROPRIETARY TO MOLEX INCORPORATED AND SHOULD NOT BE USED WITHOUT WRITTEN PERMISSION					

10 9 8 7 6 5 4 3 2 1

紫 PA46 VIOLET	橙 PA46 ORANGE	茶 PA46 BROWN	緑 PA46 GREEN	色 COLOR	
501331-1597	501331-1587	501331-1577	501331-1567	15	
501331-1497	501331-1487	501331-1477	501331-1467	14	
501331-1397	501331-1387	501331-1377	501331-1367	13	
501331-1297	501331-1287	501331-1277	501331-1267	12	
501331-1197	501331-1187	501331-1177	501331-1167	11	
501331-1097	501331-1087	501331-1077	501331-1067	10	
501331-0997	501331-0987	501331-0977	501331-0967	9	
501331-0897	501331-0887	501331-0877	501331-0867	8	
501331-0797	501331-0787	501331-0777	501331-0767	7	
501331-0697	501331-0687	501331-0677	501331-0667	6	
EMBOSSED PACKAGE	EMBOSSED PACKAGE	EMBOSSED PACKAGE	EMBOSSED PACKAGE	極数 CIRCUITS	
オーダー番号 ORDER NO.	オーダー番号 ORDER NO.	オーダー番号 ORDER NO.	オーダー番号 ORDER NO.		
青 PA46 BLUE	黄 PA46 YELLOW	赤 PA46 RED	黒 PA46 BLACK	自然色 PA6T NATURAL	色 COLOR
501331-1547	501331-1537	501331-1527		501331-1507	15
501331-1447	501331-1437	501331-1427		501331-1407	14
501331-1347	501331-1337	501331-1327		501331-1307	13
501331-1247	501331-1237	501331-1227		501331-1207	12
501331-1147	501331-1137	501331-1127		501331-1107	11
501331-1047	501331-1037	501331-1027		501331-1007	10
501331-0947	501331-0937	501331-0927	501331-0917	501331-0907	9
501331-0847	501331-0837	501331-0827	501331-0817	501331-0807	8
501331-0747	501331-0737	501331-0727		501331-0707	7
501331-0647	501331-0637	501331-0627	501331-0617	501331-0607	6
EMBOSSED PACKAGE	EMBOSSED PACKAGE	EMBOSSED PACKAGE	EMBOSSED PACKAGE	EMBOSSED PACKAGE	極数 CIRCUITS
オーダー番号 ORDER NO.	オーダー番号 ORDER NO.	オーダー番号 ORDER NO.	オーダー番号 ORDER NO.	オーダー番号 ORDER NO.	

REVISED EC NO. J2014-1509 DRW: TAJI MAO1 CHK: KASAKAWA APPR: MIKITA 2014/04/04 2014/04/07 2014/04/07	GENERAL TOLERANCES (UNLESS SPECIFIED)		DIMENSION STYLE MM ONLY		SCALE ---	DESIGN UNITS METRIC	THIRD ANGLE PROJECTION
	10 UNDER	± 0.2	DRAWN BY NYOSHIDA	DATE 2004/07/30	TITLE 1.0 WIRE TO BOARD CONN. WAFER ASS'Y (1-ROW S/T) 6-15CKT		
	10 OVER 30 UNDER	± 0.25	CHECKED BY MYAGI	DATE 2004/07/30			
	30 OVER	± 0.3	APPROVED BY MIYAZAWA	DATE 2004/07/30			
ANGULAR ± 3 °		MATERIAL NO.		DOCUMENT NO.	SHEET NO.		
DRAFT WHERE APPLICABLE MUST REMAIN WITHIN DIMENSIONS		SEE TABLE		SD-501331-002	2 OF 2		
SIZE A3 THIS DRAWING CONTAINS INFORMATION THAT IS PROPRIETARY TO MOLEX INCORPORATED AND SHOULD NOT BE USED WITHOUT WRITTEN PERMISSION							

10 9 8 7 6 5 4 3 2 1

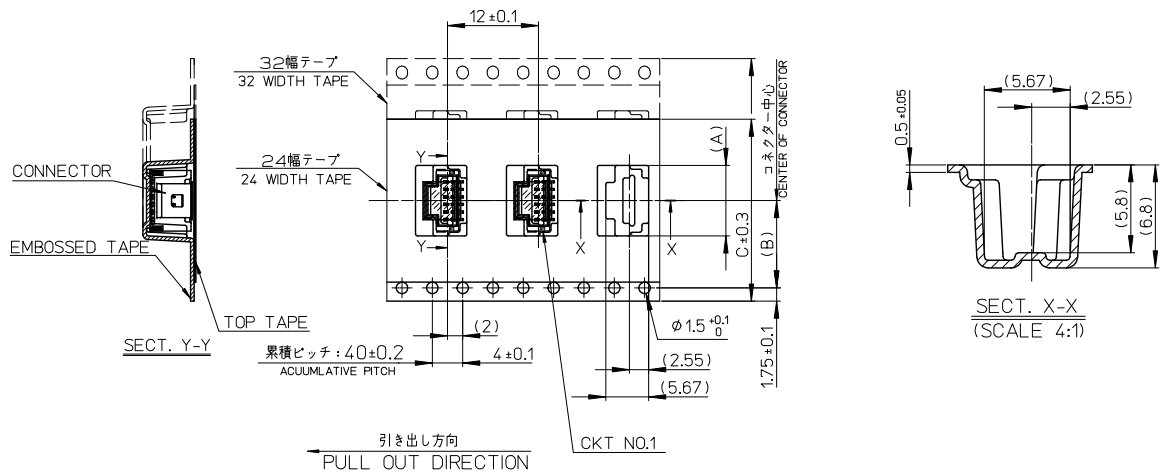


NOTES.

- 製品詳細寸法については製品単体図面を参照ください。
ABOUT DETAILED DIMENSION, SEE PRODUCT DRAWING.
 - 梱包数量: 1,100個/リール
NUMBER OF CONNECTORS: 1100PIECES/REEL
 - リードテープ長さ
LEAD TAPE LENGTH
トップテープ接着部 (空エンボス)
20 PIECES, MIN.
TOP TAPE BONDED PART (EMPTY)
-
- 材料
MATERIAL
キャリアテープ: ポリプロピレン
CARRIER TAPE: POLYPROPYLENE
トップテープ: PET・PE・REF
TOP TAPE
リール: ポリスチレン (リサイクル材を含む)
REEL: POLYSTYRENE (RECYCLE MATERIAL CONTAINED)
 - ELV 及び RoHS適合品
ELV AND RoHS COMPLIANT.
 - ハイバリア梱包 (シリカゲル入り) 対応品である。(501331-**-07除く)
THIS PRODUCT IS HIGH BARRIER PACKAGE.(WITH SILICAGEL)
(BESIDES 501331-**-07)
 - 開梱後の保管条件に注意のこと。(ハイバリア品対象: PS-501331-001参照)
REFER TO PS-501331-001(HIGH BARRIER PRODUCT)
FOR CONDITIONS AFTER OPEN.

REVISED EC NO: J2014-1509 DRAWN:TAJIMA01 2014/04/04 CHKD:KASAKAWA 2014/04/07 APPR:MIKITA 2014/04/07	GENERAL TOLERANCES (UNLESS SPECIFIED)		DIMENSION STYLE MM ONLY	SCALE ---	DESIGN UNITS METRIC	THIRD ANGLE PROJECTION
	10 UNDER	± 0.2	DRAWN BY NYOSHIDA	DATE 2005/01/18	TITLE 1.0 WIRE TO BOARD CONN. WAFER ASS'Y (1-ROW S/T) EMBSTP PKG	
	10 OVER 30 UNDER	± 0.25	CHECKED BY MYAGI	DATE 2005/01/18		
	30 OVER	± 0.3	APPROVED BY ANODA	DATE 2005/01/18		
ANGULAR ±1 °		MATERIAL NO. SEE SHEET 3		DOCUMENT NO. SD-501331-004	SHEET NO. 1 OF 3	
DRAFT WHERE APPLICABLE MUST REMAIN WITHIN DIMENSIONS		SIZE A3 THIS DRAWING CONTAINS INFORMATION THAT IS PROPRIETARY TO MOLEX INCORPORATED AND SHOULD NOT BE USED WITHOUT WRITTEN PERMISSION				

9 8 7 6 5 4 3 2



37.4	33.4	32	14.2	18.3	5013311507
				17.3	5013311407
				16.3	5013311307
				15.3	5013311207
				14.3	5013311107
				13.3	5013311007
29.4	25.4	24	11.5	12.3	5013310907
				11.3	5013310807
				10.3	5013310707
				9.3	5013310607
E	D	C	(B)	(A)	製品番号 MATERIAL NO.

REVISED REV. NO. J2014-1509 DRAWN BY TAJI MAO1 2014/04/04 CHKD BY SAKAKAWA 2014/04/07 APPR. BY MIKITA 2014/04/07	GENERAL TOLERANCES (UNLESS SPECIFIED)		DIMENSION STYLE MM ONLY		SCALE ---	DESIGN UNITS METRIC	THIRD ANGLE PROJECTION
	10 UNDER	± 0.2	DRAWN BY	DATE	TITLE 1.0 WIRE TO BOARD CONN. WAFER ASS'Y (1-ROW S/T) EMBSTP PKG molex DOCUMENT NO. SD-501331-004 SHEET NO. 2 OF 3		
	10 OVER	± 0.25	CHECKED BY	DATE			
	30 OVER	± 0.3	APPROVED BY	DATE			
ANGULAR	± 1 °	MATERIAL NO.	DATE				
DRAFT WHERE APPLICABLE MUST REMAIN WITHIN DIMENSIONS		SEE SHEET 3		THIS DRAWING CONTAINS INFORMATION THAT IS PROPRIETARY TO MOLEX INCORPORATED AND SHOULD NOT BE USED WITHOUT WRITTEN PERMISSION			

10 9 8 7 6 5 4 3 2 1

紫 VIOLET	橙 ORANGE	茶 BROWN	緑 GREEN	色 COLOR	
501331-1597	501331-1587	501331-1577	501331-1567	15	
501331-1497	501331-1487	501331-1477	501331-1467	14	
501331-1397	501331-1387	501331-1377	501331-1367	13	
501331-1297	501331-1287	501331-1277	501331-1267	12	
501331-1197	501331-1187	501331-1177	501331-1167	11	
501331-1097	501331-1087	501331-1077	501331-1067	10	
501331-0997	501331-0987	501331-0977	501331-0967	9	
501331-0897	501331-0887	501331-0877	501331-0867	8	
501331-0797	501331-0787	501331-0777	501331-0767	7	
501331-0697	501331-0687	501331-0677	501331-0667	6	
EMBOSSED PACKAGE オーダー番号 ORDER NO.	EMBOSSED PACKAGE オーダー番号 ORDER NO.	EMBOSSED PACKAGE オーダー番号 ORDER NO.	EMBOSSED PACKAGE オーダー番号 ORDER NO.	極数 CIRCUITS	
青 BLUE	黄 YELLOW	赤 RED	黒 BLACK	自然色 NATURAL	色 COLOR
501331-1547	501331-1537	501331-1527		501331-1507	15
501331-1447	501331-1437	501331-1427		501331-1407	14
501331-1347	501331-1337	501331-1327		501331-1307	13
501331-1247	501331-1237	501331-1227		501331-1207	12
501331-1147	501331-1137	501331-1127		501331-1107	11
501331-1047	501331-1037	501331-1027		501331-1007	10
501331-0947	501331-0937	501331-0927	501331-0917	501331-0907	9
501331-0847	501331-0837	501331-0827	501331-0817	501331-0807	8
501331-0747	501331-0737	501331-0727		501331-0707	7
501331-0647	501331-0637	501331-0627	501331-0617	501331-0607	6
EMBOSSED PACKAGE オーダー番号 ORDER NO.	EMBOSSED PACKAGE オーダー番号 ORDER NO.	EMBOSSED PACKAGE オーダー番号 ORDER NO.	EMBOSSED PACKAGE オーダー番号 ORDER NO.	EMBOSSED PACKAGE オーダー番号 ORDER NO.	極数 CIRCUITS

REVISED EC NO. J2014-1509 DRAWN:TAJIMA01 CHKD:KAKAWA APPR:MIKITA REV	DESCRIPTION 2014/04/04 2014/04/07 2014/04/07	GENERAL TOLERANCES (UNLESS SPECIFIED)		DIMENSION STYLE MM ONLY	SCALE ---	DESIGN UNITS METRIC	THIRD ANGLE PROJECTION	
		10 UNDER	±0.2	DRAWN BY NYOSHIDA	DATE 2005/01/18	TITLE 1.0 WIRE TO BOARD CONN. WAFER ASS'Y (1-ROW S/T) EMBSTP PKG molex		
		10 OVER 30 UNDER	±0.25	CHECKED BY MYAGI	DATE 2005/01/18			
		30 OVER	±0.3	APPROVED BY ANODA	DATE 2005/01/18			
ANGULAR ±1 °		DRAFT WHERE APPLICABLE MUST REMAIN WITHIN DIMENSIONS		MATERIAL NO. SEE TABLE	DOCUMENT NO. SD-501331-004	SHEET NO. 3 OF 3		
SIZE A3 THIS DRAWING CONTAINS INFORMATION THAT IS PROPRIETARY TO MOLEX INCORPORATED AND SHOULD NOT BE USED WITHOUT WRITTEN PERMISSION								