

## Excellent Integrated System Limited

Stocking Distributor

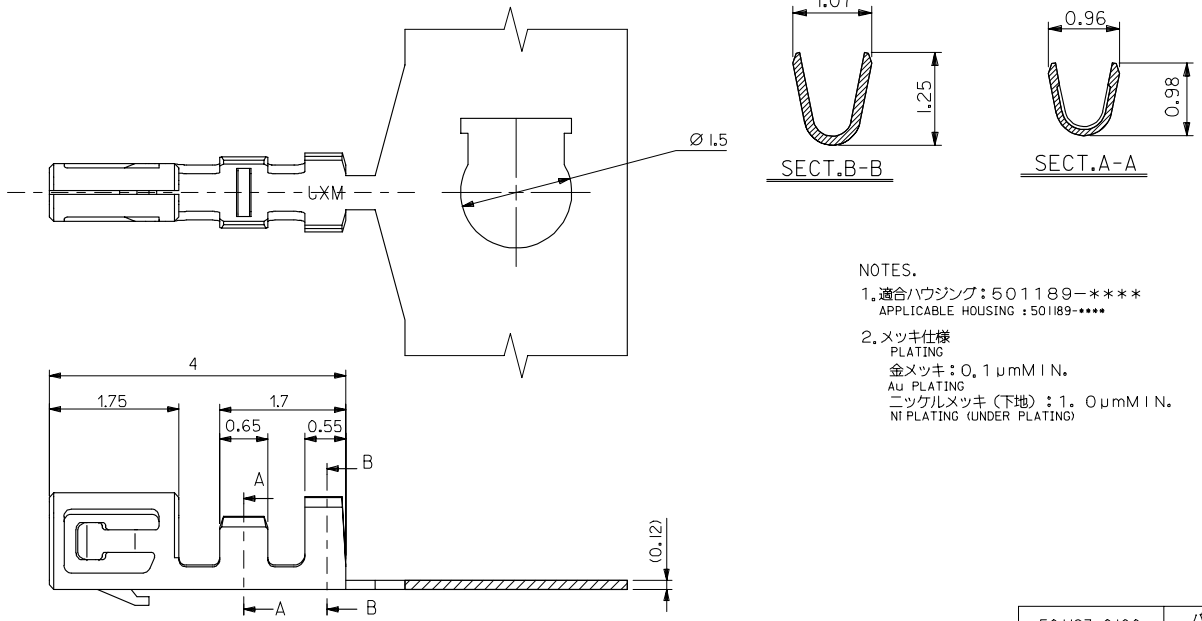
Click to view price, real time Inventory, Delivery & Lifecycle Information:

[Molex Connector Corporation](#)  
[501193-0100](#)

For any questions, you can email us directly:

[sales@integrated-circuit.com](mailto:sales@integrated-circuit.com)

10 9 8 7 6 5 4 3 2 1



NOTES.

- 適合ハウジング: 501189-\*\*\*\*  
APPLICABLE HOUSING: 501189-\*\*\*\*
- メッキ仕様  
PLATING  
金メッキ: 0.1 μm MIN.  
Au PLATING  
ニッケルメッキ (下地): 1.0 μm MIN.  
Ni PLATING (UNDER PLATING)

501193-0100	バラ状 LOOSE
501193-0000	連続状 CHAIN
MATERIAL NO.	端子形状 FORM

MATERIAL リン青銅 PHOSPHOR BRONZE +0.12	REVISIONS E.C. NO. J2005-0329 DRAWN NYOSHIDA 2004/11/02 CHECKED MYAGI 2004/11/02 APPROVED ANDO 2004/11/12 DESCRIPTION 1.0 UNDER ±0.2 10 OVER 30 UNDER ±0.25 30 OVER ±0.3 ANGULAR ±3 ° DRAFT WHERE APPLICABLE MUST REMAIN WITHIN DIMENSIONS	GENERAL TOLERANCES (UNLESS SPECIFIED)	DIMENSION STYLE MM ONLY	SCALE 20:1	DESIGN UNITS METRIC	THIRD ANGLE PROJECTION
FINISH SEE NOTE		DRAWN BY NYOSHIDA	DATE 2004/04/03	TITLE 1.0 WIRE TO BOARD CONN. CRIMP REC TERMINAL		
WIRE RANGE AWG#28-32		CHECKED BY MYAGI	DATE 2004/04/03	APPROVED BY MIYAZAWA		
INS. RANGE φ 0.4-0.8		DATE 2004/04/03	MATERIAL NO. SEE CHART	DOCUMENT NO. SD-501193-001		
1b_frame_A3_J_ME_S Rev. D 2004/04/02		SIZE A 3 THIS DRAWING CONTAINS INFORMATION THAT IS PROPRIETARY TO MOLEX INCORPORATED AND SHOULD NOT BE USED WITHOUT WRITTEN PERMISSION		SHEET NO. 1 OF 1		EN-02JA(021)

9 8 7 6 5 4 3 2 1