

## Excellent Integrated System Limited

Stocking Distributor

Click to view price, real time Inventory, Delivery & Lifecycle Information:

[FCI](#)  
[89847-313LF](#)

For any questions, you can email us directly:  
[sales@integrated-circuit.com](mailto:sales@integrated-circuit.com)

Copyright FCI



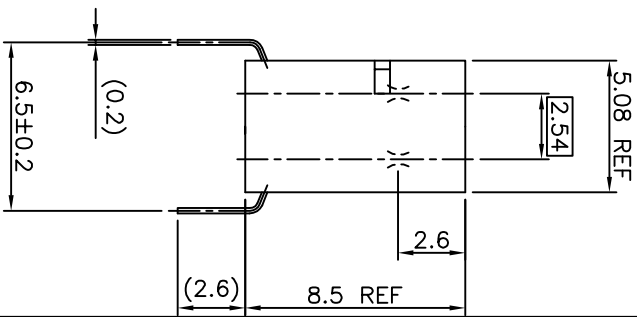
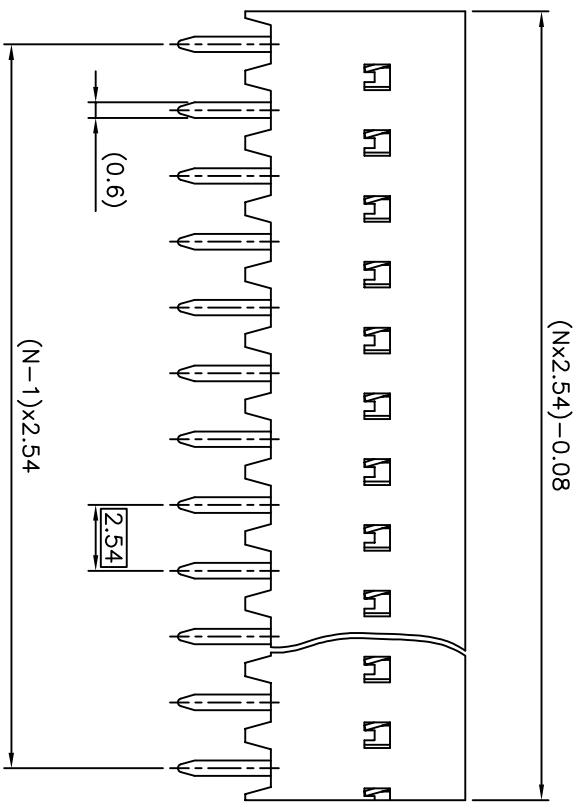
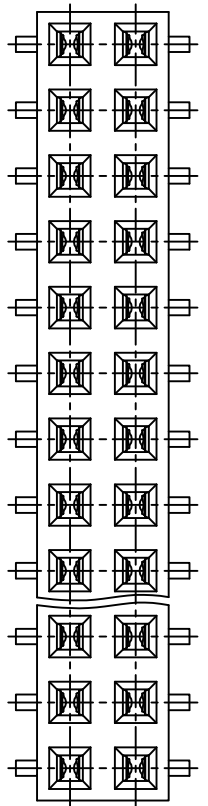
FCIconnect.com

PRODUCT NUMBER  
89847-XXXXLF

- ROHS COMPATIBLE, SEE NOTE 5
- OPTIONAL LETTER:  
H: HIGH TEMP PRODUCT
- NUMBER OF POSITIONS PER ROW: 02 TO 50.
- PLATING CODE
- 3 = 0.76µm GOLD ON CONTACT AREA.  
2µm MIN MATTE TIN ON TAIL.
  - 4 = 2µm MIN MATTE TIN FULL PLATED.  
1.27µm Ni MIN UNDERPLATING

NOTES:

- 1 - HOUSING MAT'L: THERMOPLASTIC GLASS FILLED FLAME RETARDANT PER UL 94 V-0 COLOR: BLUE.  
LOW TEMPERATURE: COLOR BLUE  
HIGH TEMPERATURE : COLOR GREY
  - 2 - TERMINAL MATERIAL: PHOSPHOR BRONZE.
  - 3 - 2 UP TO 4 POSITIONS PRODUCT PACKED IN PLASTIC BOX.  
5 UP TO 50 POSITIONS PRODUCT PACKED IN TUBE.  
TO DETERMINE DIMENSIONS:
  - 4 - N = NUMBER OF POSITIONS PER ROW  
EXAMPLE: 8 POS: (N×2.54)-0.08=20.24 mm.
  - 5 - ROHS COMPATIBLE PRODUCT SPECIFICATIONS
- d - PLATING:
- "LF" MEANS THE PRODUCT IS LEAD-FREE,  
2µm MINIMUM MATTE TIN OVER 1.27µm  
MINIMUM NICKEL UNDERPLATE.
- b - MANUFACTURING PROCESS COMPATIBILITY
- THE BLUE HOUSING WILL WITHSTAND EXPOSURE TO 260°C ±5°C SOLDER BATH TEMPERATURE FOR 5 SECONDS IN A WAVE SOLDER APPLICATION WITH A 1.6mm MIN THICK CIRCUIT BOARD.
  - THE HIGH TEMP GREY HSG WILL WITHSTAND EXPOSURE TO 260°C PEAK TEMPERATURE FOR 30 SECONDS MAX IN CONNECTION INFRA-RED OR VAPOR PHASE OR REFLOW.
- c - LABELING:
- MEETS PACKAGING SPECS AS PER GS-14-920
- d - LEGAL STATEMENT: SEE GS-47-0004



mat'l. code	SEE NOTE 1	surface	tolerance	ISO 1302	ISO 406	ISO 1101	projection	scale
lfr	ecn no	dr	date	tolerances unless otherwise specified	form-0220		mm	5:1
K	B-19123	LMU	14.10.21	angles				
E	F10116	GCO	01.01.23	linear				
F	F04-0347DLE	D	04.11.10	D LEGRAND				
G	F06-0204DLE	P	06.06.21	P NIZZI				
H	F08-0217PNZ	D	08.09.09	D LEGRAND				
J	F08-0226PNZ	P	08.09.15	P NZ				
sheet	revision	K	B					
index	sheet	1	2					

product family: DUBOX

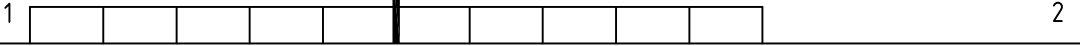
title: BTB RECEPT.  
VERT DR TMT

dwg no: 89847

sheet 1 of 2



Copyright FCI



A

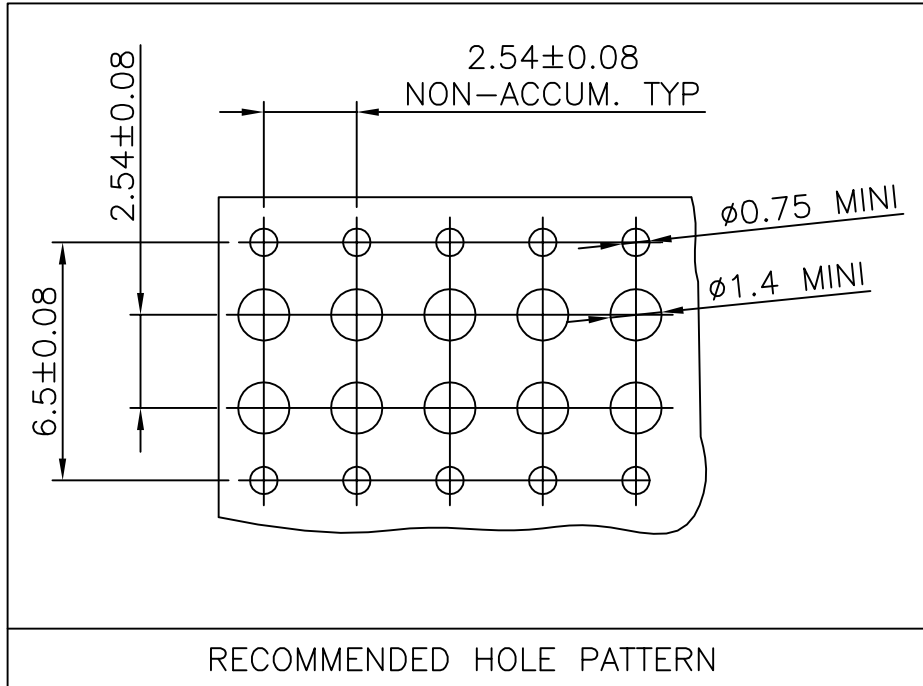
A

B

B

C

C



mat'l. code SEE NOTE 1				surface ISO 1302 <input checked="" type="checkbox"/>		tolerance ISO 406 ISO 1101		projection 		product family DUBOX					
ltr	ecn no	dr	date	tolerances unless otherwise specified						title BtB RECEPT. VERT DR TMT					
A	F04-0347	DLE	04.11.10	angles ±2'	linear	±0.3		mm		scale 5:1		dwg no		sheet 2 of -	size
B	F06-0204	DLE	06.06.21									89847			
				dr	D LEGRAND	04.11.10				type		CUSTOMER		Drawing	
				engr	P NIZZI	04.11.10									
				chr	D LEGRAND	04.11.10									
				appd	P NZ	04.11.09									
sheet		revision													
index		sheet													

D

D