

## Excellent Integrated System Limited

Stocking Distributor

Click to view price, real time Inventory, Delivery & Lifecycle Information:

[FCI](#)  
[95293-101-05LF](#)

For any questions, you can email us directly:  
[sales@integrated-circuit.com](mailto:sales@integrated-circuit.com)

PRODUCT NUMBER  
95293-XXX-XXLF

RoHS COMPATIBLE, SEE NOTE 6  
 TOTAL NB OF POSITIONS, 3 TO 17  
 PACKAGING TYPE, NOTE 3

**PLATING**

- 1= 0.76µm GOLD/GXT ON CONTACT AREA, 2µm TIN MIN ON TAILS
- 4= 2.0µm TIN MIN FULL PLATED
- 5= 0.25µm GOLD/GXT ON CONTACT AREA, 2µm TIN MIN ON TAILS
- 8= 0.38µm GOLD/GXT ON CONTACT AREA, 2µm TIN MIN ON TAILS
- 1.27µm NICKEL MIN UNDERLAYER FOR ALL PLATING VERSIONS

CATALOGUE RANGE	
PIN STYLE	MATING
01	5.84
02	8.08

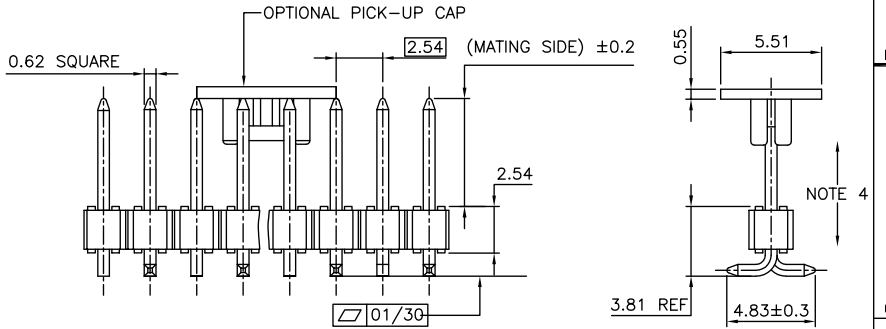
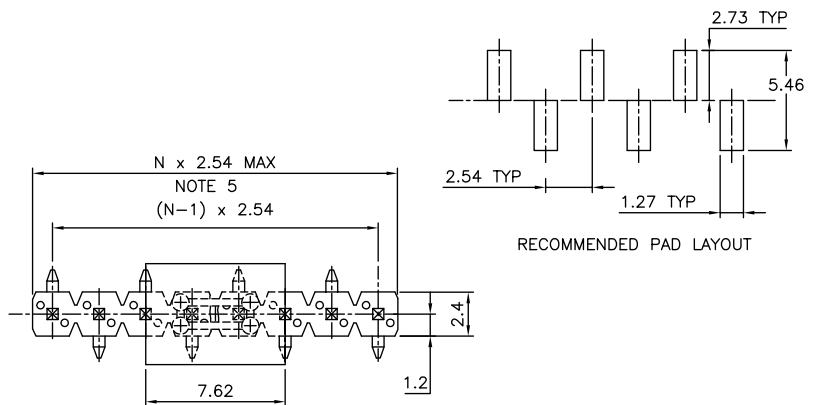
APPLICATION SPECIFIC	
PIN STYLE	MATING
05	9.60
06	3.00

**NOTES:**

- 1 - HOUSING MAT'L : HIGH TEMPERATURE THERMOPLASTIC. UL94V-0 COLOR: BLACK
- 2 - PIN MATERIAL : PHOSPHOR BRONZE
- 3 - PACKAGING
  - = POLY BAGS
  - B = TUBE + CAP
  - A = TAPE & REEL + CAP, AS AVAILABLE
- 4 - 9N MIN RETENTION IN EITHER DIRECTION
- 5 - TO DETERMINE DIMENSIONS :  
 N = NUMBER OF POSITIONS  
 EXAMPLE : 8 POS N x 2.54 = 20.32mm

**6. RoHS COMPATIBLE PRODUCT SPECIFICATIONS**

- a - **PLATING:**
  - "LF" MEANS THE PRODUCT IS LEAD-FREE, 2µm MINIMUM MATTE TIN OVER 1.27µm MINIMUM NICKEL UNDERPLATE.
- b - **MANUFACTURING PROCESS COMPATIBILITY**
  - THE HOUSING WILL WITHSTAND EXPOSURE TO 260°C PEAK TEMPERATURE FOR 30 SECONDES IN A CONVECTION, INFRA-RED OR VAPOR PHASE REFLOW OVEN.
- c - **LABELING:**
  - MEETS PACKAGING SPECS AS PER GS-14-920
- d - **LEGAL STATEMENT:** SEE GS-47-0004



mat'l. code	surface	tolerance	projection	product family
SEE NOTES	ISO 1302 ✓	ISO 496 ISO 1101	mm	BERGSTIK
ltr ecn no dr date	tolerances unless otherwise specified	linear	scale 5:1	title
P B-18983 LMU 14.10.03	angles	xxx ±0.3		UNSHR.HEADER
R B-20569 AMA 15.03.26	linear	xxx ±0.13		SR SMT
S F-23055 AMA 16.01.15	σ #2	xxx ±0.05		dwg no
	dr	D.LE	01.01.24	sheet 1 of 1
L F06-0208 JCO 06.06.22	engr	JM.C	01.01.24	size
M F08-0148 RTR 08.03.31	chr	JM.C	01.01.24	A3
N F10-0207 JCO 10.09.09	appd	JF.N	01.01.24	type
sheet	revision			CUSTOMER
index	sheet			Drawing