

Excellent Integrated System Limited

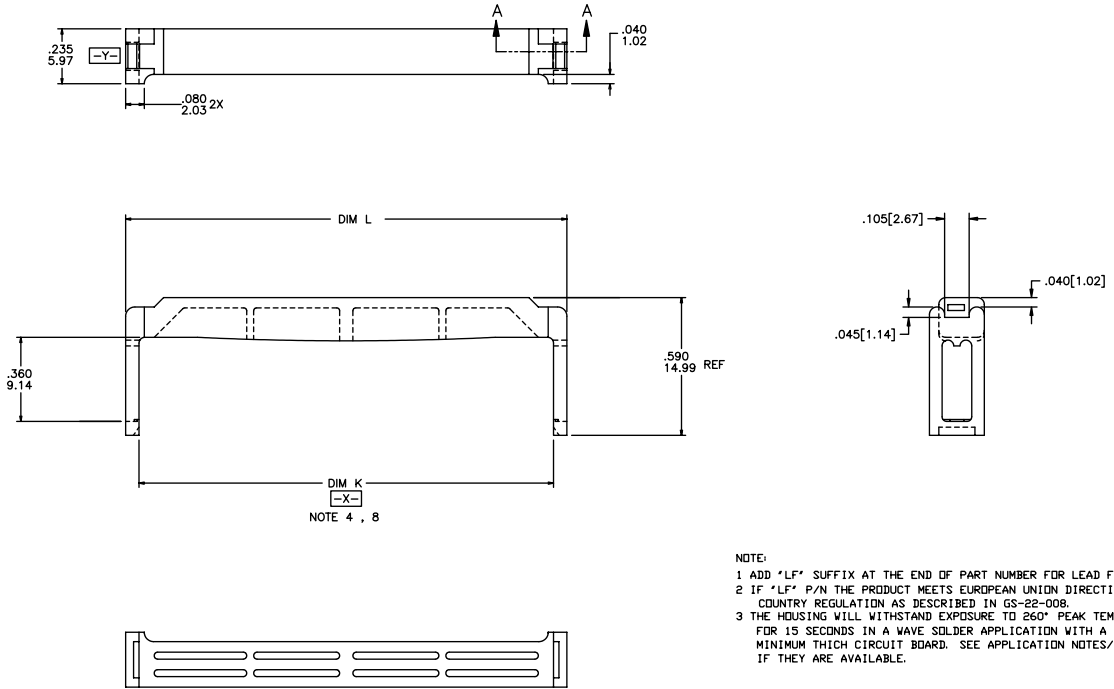
Stocking Distributor

Click to view price, real time Inventory, Delivery & Lifecycle Information:

[FCI](#)
[65873-014](#)

For any questions, you can email us directly:
sales@integrated-circuit.com

PRODUCT NUMBER
SEE TABLE



NOTE:
 1 ADD 'LF' SUFFIX AT THE END OF PART NUMBER FOR LEAD FREE OPTION.
 2 IF 'LF' P/N THE PRODUCT MEETS EUROPEAN UNION DIRECTIVES AND OTHER COUNTRY REGULATION AS DESCRIBED IN GS-22-008.
 3 THE HOUSING WILL WITHSTAND EXPOSURE TO 260° PEAK TEMPERATURE FOR 15 SECONDS IN A WAVE SOLDER APPLICATION WITH A 1.5mm MINIMUM THICK CIRCUIT BOARD. SEE APPLICATION NOTES/PROCEDURES IF THEY ARE AVAILABLE.

REVISIONS				SHEET INDEX	ISSUE SH NO.	B 1	B 2	MAY	DR	DATE	CUSTOMER COPY	
REV	ECN/DDR#	BY	DATE									
A	NEW	DEW	5/22/89						D	WHITING	5/22/89	
B	V71195	SAR	10/1/97						M	SMYK	5/22/89	
C	N06-0112	LONG	4/18/08						M	SMYK	5/22/89	



TOLERANCES UNLESS OTHERWISE SPECIFIED
 .002 .01 / .02 ± .3
 .0001 .005 / .001 ± .13
 .0000 ± .0020 / .0001 ± .051
 ANGLES 0 ±

PRODUCT FAMILY OKE
 APPR M SMYK 5/22/89
 M SMYK 5/22/89

THRU ANGLE PROJ
 SCALE: SIZE DWG. NO. 5Pin Qd Ap 65873-014
 TITLE SPL STRAIN RELIEF QUICKIE II
 SHEET 1 OF 2

NOTE: THIS DOCUMENT IS THE PROPERTY OF AND EMBODIES PROPRIETARY INFORMATION OF BERG ELECTRONICS, INC. NO PART OF THE INFORMATION SHOWN ON THIS DOCUMENT MAY BE USED IN ANY WAY WITHOUT THE WRITTEN CONSENT OF BERG ELECTRONICS, INC. FORM E-3067 REV 8/93

PRODUCT NUMBER	SIZE	DIM K	DIM L	COLOR
65873-001	2 X 5	.565/14.35	.680/17.27	BLUE
-002	2 X 7	.765/19.43	.880/22.35	
-003	2 X 8	.865/21.97	.980/24.89	
-004	2 X 10	1.065/27.05	1.180/29.97	
-005	2 X 13	1.365/34.67	1.480/37.59	
-006	2 X 17	1.775/45.09	1.890/48.00	
-007	2 X 20	2.075/52.71	2.190/55.63	
-008	2 X 25	2.580/65.53	2.695/68.45	
-009	2 X 30	3.085/78.36	3.200/81.28	BLUE
-010	UNAVAILABLE			
-011	UNAVAILABLE			
-012	2 X 12	1.265/32.13	1.380/35.05	BLUE
-013	2 X 15	1.565/39.75	1.680/42.67	BLUE
-014	2 X 22	2.275/57.79	2.390/60.71	BLUE
-015	UNAVAILABLE			
-016	UNAVAILABLE			
-205	2 X 5	.565/14.35	.680/17.272	BLACK
-207	2 X 7	.765/19.43	.880/22.35	
-208	2 X 8	.865/21.97	.980/24.89	
-210	2 X 10	1.065/27.05	1.180/29.97	
-212	2 X 12	1.265/32.13	1.380/35.05	
-213	2 X 13	1.365/34.67	1.480/37.59	
-215	2 X 15	1.565/39.75	1.680/42.67	
-217	2 X 17	1.775/45.09	1.890/48.00	
-220	2 X 20	2.075/52.71	2.190/55.63	
-222	2 X 22	2.275/57.79	2.390/60.71	
-225	2 X 25	2.580/65.53	2.695/68.45	
65873-230	2 X 30	3.085/78.36	3.200/81.28	BLACK

REVISIONS				SHEET INDEX	ISSUE SH NO.					CUSTOMER COPY
REV	ECN/DDR#	BY	DATE			TOLERANCES UNLESS OTHERWISE SPECIFIED	FINISH	DR	DATE	
P					.002 .01 / 0±.3	—	D WHITING	5/22/89	SPL STRAIN RELIEF QUICKIE II	
					LINEAR .0001 .005 / 00±.13		M SMYK	5/22/89	1 Pin	
					ANGLES .0000±.0020 / 000±.051		M SMYK	5/22/89	1 Pin	
							M SMYK	5/22/89	1 Pin	



NOTE: THIS DOCUMENT IS THE PROPERTY OF AND EMBODIES PROPRIETARY INFORMATION OF BERG ELECTRONICS, INC. NO PART OF THE INFORMATION SHOWN ON THIS DOCUMENT MAY BE USED IN ANY WAY WITHOUT THE WRITTEN CONSENT OF BERG ELECTRONICS, INC. FORM E-3067 REV 8/93