

## Excellent Integrated System Limited

Stocking Distributor

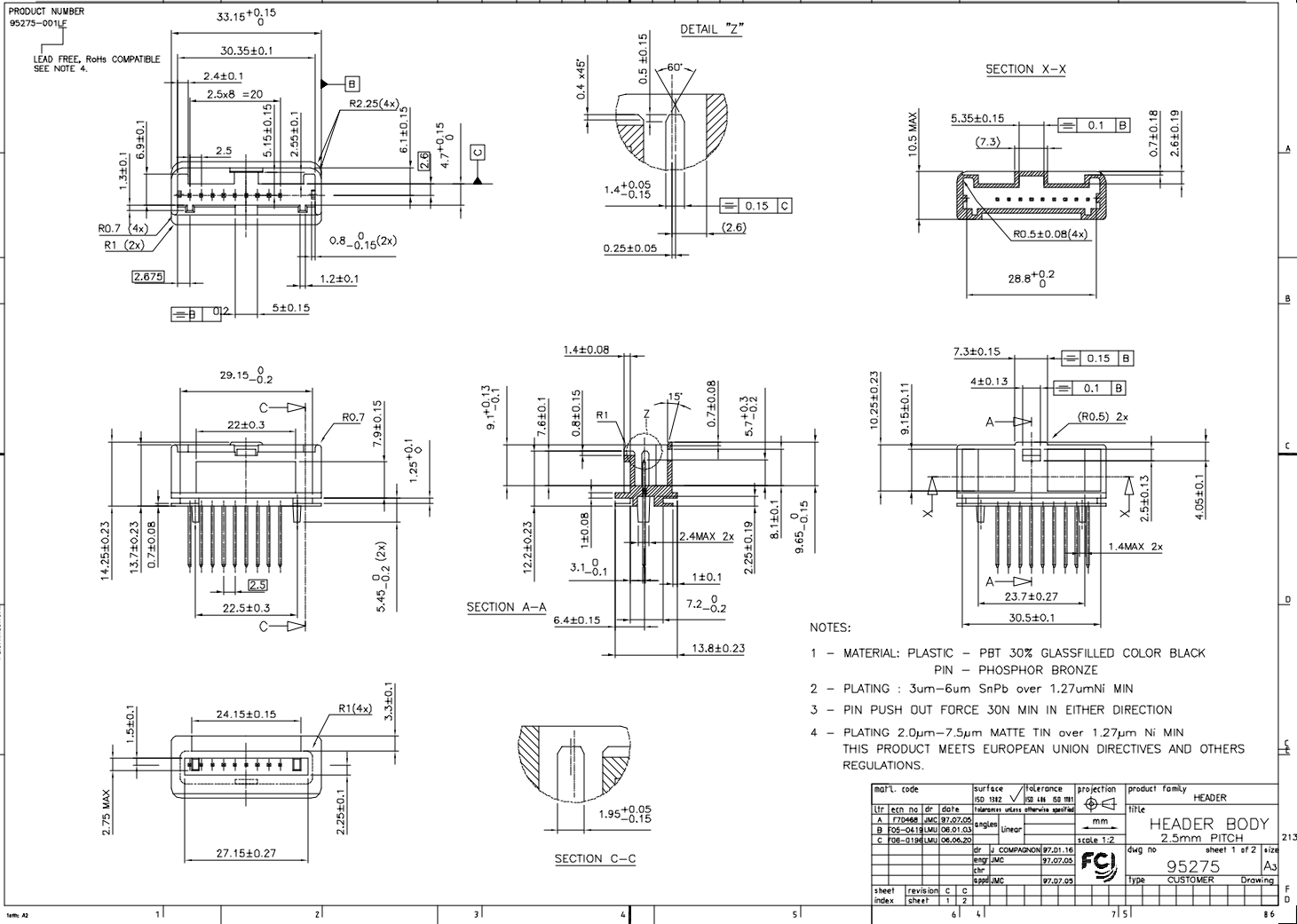
Click to view price, real time Inventory, Delivery & Lifecycle Information:

[FCI](#)

[95275-002LF](#)

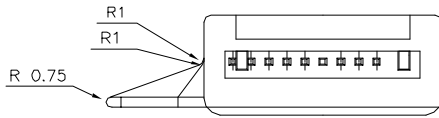
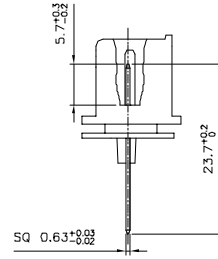
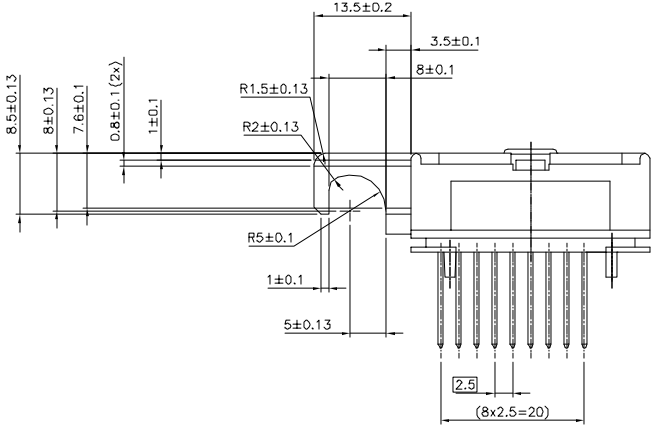
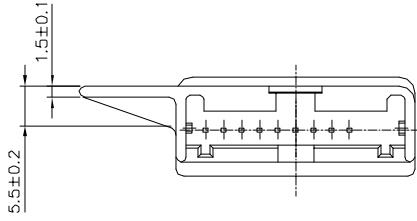
For any questions, you can email us directly:

[sales@integrated-circuit.com](mailto:sales@integrated-circuit.com)



PRODUCT NUMBER  
95275-002LF

LEAD FREE, RoHS COMPATIBLE  
SEE NOTE 4, SHEET 1



mat'l. code		SEE NOTE		surface	tolerance	projection	product family	
Ltr	ecn no	dr	date	ISO 1382	ISO 406 ISO 1181	mm	HEADERS	
A	F70468	JMC	97.07.05	tolerances unless otherwise specified		mm	title	
B	F05-0419	LMU	06.01.03	angles	linear	mm	HEADER STR, SR, CABLE GUIDE	
C	F06-0196	LMU	06.06.20			scale 1:1	dwg no	
		dr	J COMPAGNON	97.01.16		95275		sheet 2 of - size
		engr	JMC	97.07.05		95275		A3
		chr				type		
		appd	JMC	97.07.05		CUSTOMER		Drawing
sheet index	revision sheet							