



**Distributor of FCI: Excellent Integrated System Limited**

Datasheet of DA3V3P300A30LF - D-Sub Connector Plug, Male Pins 3 (Power) Position  
Through Hole Solder

Contact us: [sales@integrated-circuit.com](mailto:sales@integrated-circuit.com) Website: [www.integrated-circuit.com](http://www.integrated-circuit.com)

---

## **Excellent Integrated System Limited**

Stocking Distributor

Click to view price, real time Inventory, Delivery & Lifecycle Information:

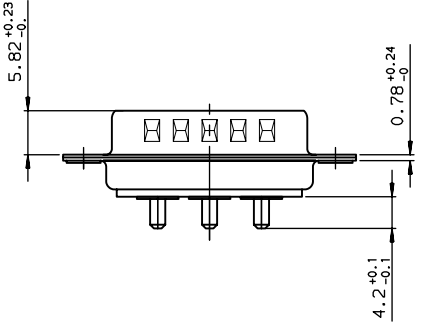
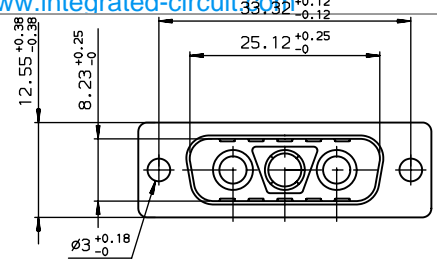
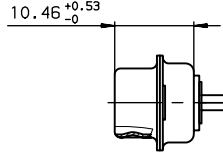
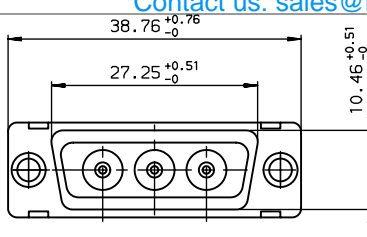
[FCI](#)

[DA3V3P300A30LF](#)

For any questions, you can email us directly:

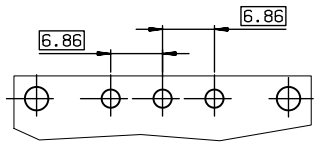
[sales@integrated-circuit.com](mailto:sales@integrated-circuit.com)

Contact us: [sales@integrated-circuit.com](mailto:sales@integrated-circuit.com) Website: [www.integrated-circuit.com](http://www.integrated-circuit.com)



DA3V3P300A30
DA3V3P300A40
PART NUMBER

LAYOUT DIMENSIONS (after plating)  
CONNECTOR SIDE VIEW



GENERAL CHARACTERISTICS AND ROHS INFORMATIONS:  
SEE DRAWING C01-8639-0001

European Views

www.fciconnect.com		surface	tolerance std		projection	mm
		ISO 1302	ISO 406	ISO 1101		mm
		TOLERANCES UNLESS OTHERWISE SPECIFIED				
Dr	JARRY	2000/12/19	ANGULAR	0.X	±0.1	size
Eng	PESSON	2000/12/19	LINEAR	0.XX	±0.1	A3
Chr	LEGARE	2000/12/19	0.XX ±2	0.XXX	±0.1	Scale
Appr	LEGARE	2000/12/19	Product family	D-SUB		2
						ECN
						LS06-0095
						Spec ref
						-
		PIN CONNECTOR SUB D			2	Rev.
		WITH POWERS CONTACTS			0.5	E
catalog no		-			C01-8639-1763	
		3PDM: Rev:E			STATUS: Released	
		-			CUSTOMER sheet 1 of 1	

rev	ecn no	dr	date
B	-	DEB	2003/09/28
C	LS05-001	MPE	2005/03/09
D	LS05-0106	MPE	2005/11/22
E	LS06-0095	LGO	2006/06/27
-	-	-	-
-	-	-	-
-	-	-	-

REV F - 2008-04-17