

## Excellent Integrated System Limited

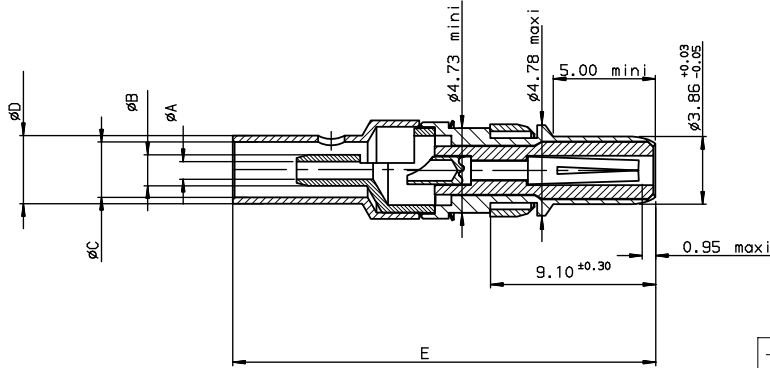
Stocking Distributor

Click to view price, real time Inventory, Delivery & Lifecycle Information:

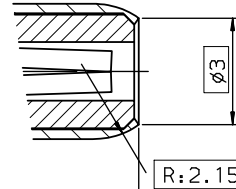
[FCI](#)  
[DM537405000NCLF](#)

For any questions, you can email us directly:  
[sales@integrated-circuit.com](mailto:sales@integrated-circuit.com)

DM537405000NC	COAXIAL CONTACTS STRAIGHT	1.00	1.75	2.32	3.20	22.40	RG 178 BU
DM537405008NC	COAXIAL CONTACTS STRAIGHT	1.00	1.75	2.32	3.20	23.60	RG 178 BU
DM537405002NC	COAXIAL CONTACTS STRAIGHT	2.75	4.00	5.09	5.95	26.30	RG 180 BU
Ref contact	Designation	$\phi A^{+0.10}_0$	$\phi B^{+0.10}_0$	$\phi C^{+0.10}_0$	$\phi D^{+0.10}_0$	E	Ref cable



DETAIL ACTIVE AREA



NOTE: RoHS INFORMATIONS

- These products meet European union Directives and other country regulations as described in 65-22-008. (RoHS Compliant products)
- Packaging spec: see 65-14-920

Part number SEE TABLE

ELECTRICAL CHARACTERISTICS

dielectric with standing voltage 2800V eff.  
break down voltage 3200V eff.  
insulation resistance  $10^6$  M OHMS  
contact resistance  $\leq 5$  m OHMS

MECHANICAL CHARACTERISTICS

mating force per set of contact 3 N  
mating endurance 200  
temperature  $-55^\circ$  to  $+125^\circ$  C

TOOLING

coaxial contact extraction tool 8630-07A

www.fciconnect.com		surface ISO 1302	tolerance std ISO 406 ISO 1101	projection mm
		TOLERANCES UNLESS OTHERWISE SPECIFIED		
Dr	PESSON	1996/07/01	ANGULAR	0.x $\pm 0.1$
Eng	PESSON	1996/07/01	LINEAR	0.xx $\pm 0.1$
Chr	LEGARE	1996/07/01	0.xxx $\pm 0.1$	size A3 Scale 5
Appr	LEGARE	1996/07/01	0.1x $\pm 2$	ECN LS06-0095
		Product Family	D-SUB Spec ref -	
FCI		MALE COAX CONTACT STRAIGHT		Rev. D
		SOLDER VERSION		Supp C01-8639-0627
catalog no		CUSTOMER sheet 1 of 1		

rev	ecn no	dr	date
B	-	JAR	2000/02/02
C	LS05-0026	MPE	2005/07/08
D	LS06-0095	LGO	2006/07/19
-	-	-	-
-	-	-	-
-	-	-	-

Copyright FCI. FCI

REV F - 2006-04-17