



Distributor of FCI: Excellent Integrated System Limited

Datasheet of D50S24A4PL00LF - D-Sub Connector Receptacle, Female Sockets 50 Position
Through Hole Solder

Contact us: sales@integrated-circuit.com Website: www.integrated-circuit.com

Excellent Integrated System Limited

Stocking Distributor

Click to view price, real time Inventory, Delivery & Lifecycle Information:

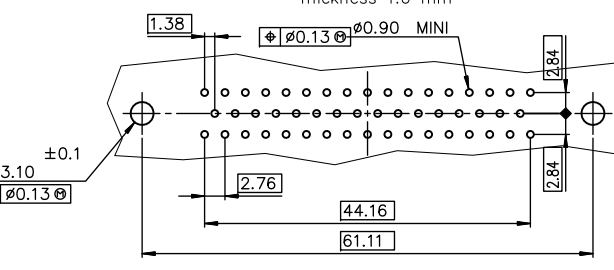
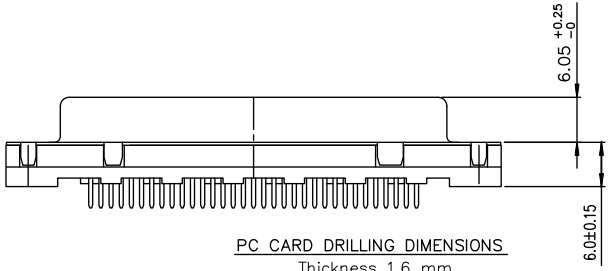
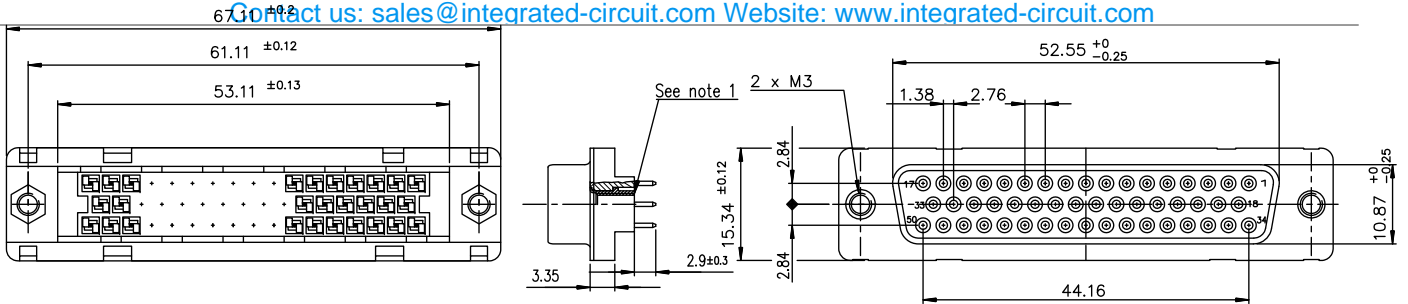
[FCI](#)

[D50S24A4PL00LF](#)

For any questions, you can email us directly:

sales@integrated-circuit.com

Contact us: sales@integrated-circuit.com Website: www.integrated-circuit.com



LEAD FREE PART NUMBER
 Part number: **D50S24A*PL00LF**

Plating: 4 --> flash AU
 Plating: 6 --> 0.76 μ AU

Notes:
 1) The nut can protrude above the surface of insulator but maintaining the footprint dimension 6.0±0.15 mm.

GENERAL CHARACTERISTICS AND ROHS INFORMATIONS:
 SEE DRAWING C01-8646-0000

mat'l. code	surface	tolerance	projection	product family
-	ISO 1302	ISO 406 ISO 1101		D-SUB
ltr	ecn no	dr	date	tolerances unless otherwise specified
A	-	BOU	1997/11/05	±0.1
B	LS05-001	MPE	2005/03/14	linear ±0.1
C	LS06-008	LGO	2006/07/22	±2° ±0.1
D	ELX-I-1538	MP	2013/07/31	dr BOUTTIER 1997/11/05
E	ELX-I-2125	AB	2015/07/14	engr MITHUN PAUL 2013/07/31
-	-	-	-	chr MITHUN PAUL 2013/07/31
-	-	-	-	appd BIJU K PAUL 2013/07/31
sheet	revision	E		
index	sheet	1		