



**Distributor of FCI: Excellent Integrated System Limited**

Datasheet of D50P91C6GX00 - D-Sub Connector Plug, Male Pins 50 Position Through Hole Press-Fit

Contact us: [sales@integrated-circuit.com](mailto:sales@integrated-circuit.com) Website: [www.integrated-circuit.com](http://www.integrated-circuit.com)

---

## Excellent Integrated System Limited

Stocking Distributor

Click to view price, real time Inventory, Delivery & Lifecycle Information:

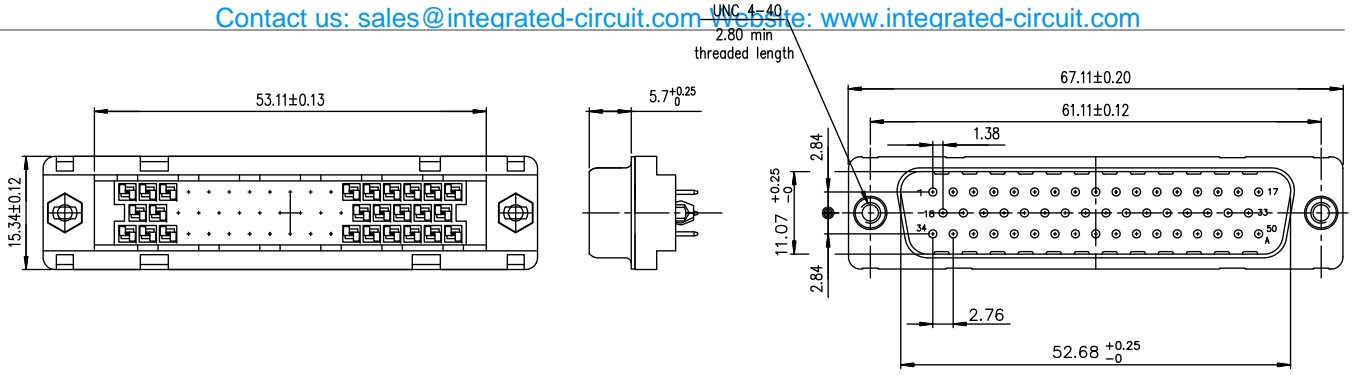
[FCI](#)

[D50P91C6GX00](#)

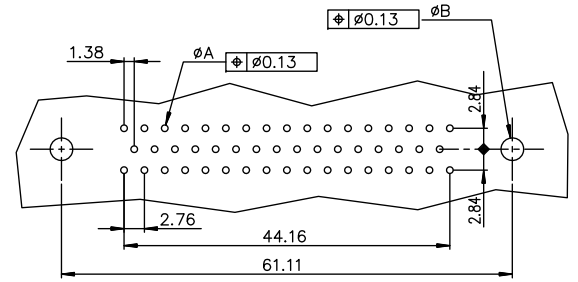
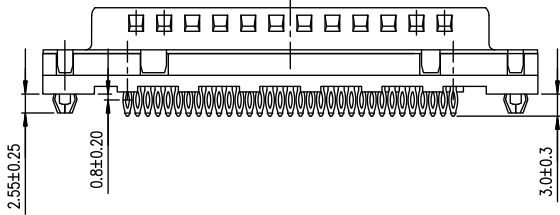
For any questions, you can email us directly:

[sales@integrated-circuit.com](mailto:sales@integrated-circuit.com)

Contact us: [sales@integrated-circuit.com](mailto:sales@integrated-circuit.com) Website: [www.integrated-circuit.com](http://www.integrated-circuit.com)



PC board drilling dimensions  
(after plating - thickness: 1.60 to 3.20 mm)



ROHS PART NUMBER	
PART NUMBER	
Flash Gold	D50P91C4GX00LF
0.76µ Gold	D50P91C6GX00LF

GENERAL CHARACTERISTICS AND ROHS INFORMATIONS:  
SEE DRAWING C01-8646-0001

mat'l. code		surface		tolerance		projection		product family	
		150 1302		150 406 150 1101		mm		D-SUB	
ltr	ecn no	dr	date	tolerances unless otherwise specified		mm		title	
F	ELX-I-21854	AB	2015-10-26	angles	.0±0.1	mm		MALE DELTA-D 50	
G	ELX-I-24020	AAB	2016-06-06	linear	.00±0.1	scale 2:1		STRAIGHT PRESS-FIT	
		dr	PESSON	0±2°	.000±0.1			dwg no	
		engr	MITHUN PAUL					sheet 1 of 1	
		chr	ATHUL A.B					size	
		appd	BIJU K PAUL					A3	
								type	
								Product Customer Drawing	
sheet index	revision	sheet	G						
1	1								