

## Excellent Integrated System Limited

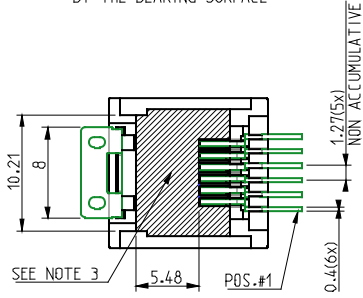
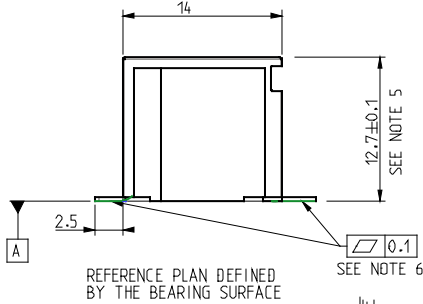
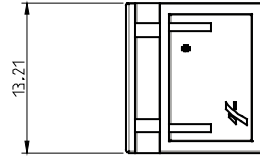
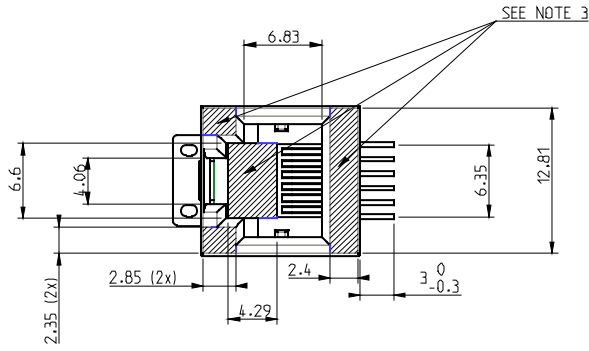
Stocking Distributor

Click to view price, real time Inventory, Delivery & Lifecycle Information:

[FCI](#)  
[98433-311](#)

For any questions, you can email us directly:  
[sales@integrated-circuit.com](mailto:sales@integrated-circuit.com)

PRODUCT N°  
SEE TABLE



REV	ECN NO	DR	DATE
M	F06-0152	DLE	06.03.20
N	F06-0242	DLE	06.07.20
-	-	-	-
-	-	-	-
-	-	-	-
-	-	-	-

www.fciconnect.com		surface -	tolerance std	projection	mm
		ISO 1302	±0.13 ±2°		
		TOLERANCES UNLESS OTHERWISE SPECIFIED			
Dr	D LEGRAND	02.09.16	ANGULAR	0.X ±Y	size A3
Eng	P NIZZI	02.09.16	LINEAR	0.XX ±Y	Scale 3:1
Chr	D LEGRAND	02.09.16	0° ±Y°	0.XXX ±Y	ECN F06-0242
Appr	P NIZZI	02.09.16	Product family	MODULAR JACK	Spec ref -
		VERTICAL SMT		98433	Rev. N
		6 POSITIONS KEYED		98433-XXX(LF)	CUSTOMER
		catalog no		98433-XXX(LF)	sheet 1 of 2

Copyright FCI.

PRODUCT N°  
98433-XXXLF

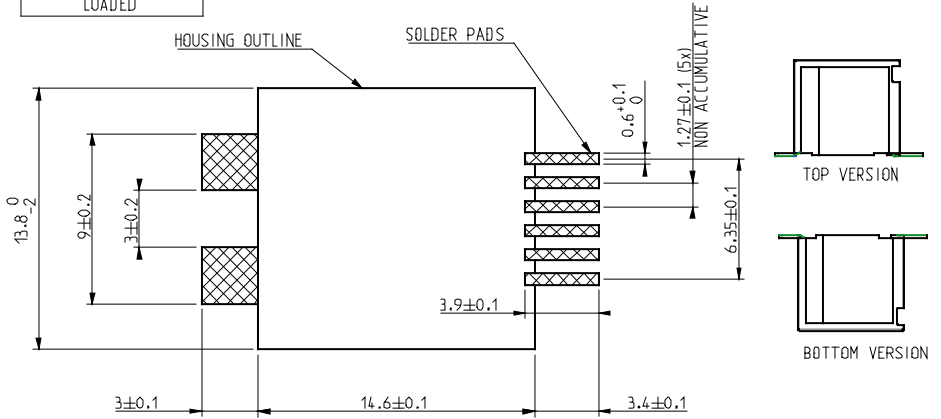
CONTACT PLATING OPTION
1= 6XT 0.76 μm
3= 0.76 μm GOLD
5= 1.27 μm GOLD

PACKAGE OPTIONS	VERSION
TAPE AND REEL PACKAGE 1= LOADED FACE UP	TOP (RED)
TAPE AND REEL PACKAGE 2= LOADED FACE DOWN	BOTTOM (RED)

TERMINAL LOADING OPTIONS
1= FULLY LOADED 6 POSITIONS
2= ONLY POS 2,3,4,5 LOADED
3= ONLY POS 1,2,5,6 LOADED

WHEN NEEDED, SUFFIX LETTER "LF" INDICATES THE PRODUCT IS ROHS COMPATIBLE SEE NOTE 7.

- NOTES:
- 1 - MATERIAL:  
HOUSING: HIGH TEMP. PLASTIC. COLOR RED  
TERMINAL PHOSPHOR BRONZE
  - 2 - PLATING  
CONTACT AREA: OPTIONAL SEE TABLE  
SOLDER TAIL: SnPb 90/10 2 μm MIN  
NO RAW EDGES EXCEPT SOLDER TAILS TIPS
  - 3 - AREA FOR VACUUM PICK AND PLACE VENTURY
  - 4 - PACKAGING SPECIFICATION SEE TA 858
  - 5 - DIMENSION MEASURED FROM "A" TO THE TOP OF PRODUCT
  - 6 - COPLANARITY SEE TA 861.
  - 7 - ROHS COMPATIBLE PRODUCT SPECIFICATIONS
    - a - PLATING:  
- "LF" MEANS THE PRODUCT IS LEAD-FREE,  
2 μm MINIMUM MATTE TIN OVER 1.27 μm  
MINIMUM NICKEL UNDERPLATE.
    - b - MANUFACTURING PROCESS COMPATIBILITY:  
- THE HOUSING WILL WITHSTAND EXPOSURE TO  
245 °C PEAK TEMPERATURE FOR 30 SECONDS  
MAX IN A CONVECTION, INFRA-RED OR VAPOR  
PHASE OR REFLOW OVEN.
    - c - LABELLING:  
- MEETS PACKAGING SPECS AS PER GS-14-920.
    - d - LEGAL STATEMENT: SEE GS-22-008



RECOMMENDED PCB FOOTPRINT

www.fciconnect.com		surface	ISO 1302	tolerance std	±0.13	±2*	projection	mm
		TOLERANCES UNLESS OTHERWISE SPECIFIED						
Dr	D LEGRAND	02.09.16	ANGULAR	LINEAR	0.xx	±Y	size	A3
Eng	P NIZZI	02.09.16			0.xxx	±Y	Scale	5:1
Chr	D LEGRAND	02.09.16	° ±"		0.xxx	±Y	ECN	F06-0242
Appr	P NIZZI	02.09.16	Product family		MODULAR JACK		Spec ref	-
FCI			VERTICAL SMT			98433		Rev.
6 POSITIONS KEYED			98433-XXX(LF)			CUSTOMER		N
catalog no						sheet 2 of 2		

MOE - 2004-03-26