



Distributor of FCI: Excellent Integrated System Limited

Datasheet of DB13W3SA00LF - D-Sub Connector Receptacle, Female Sockets 13 (10 + 3 Power) Position Free Hanging (In-Line) Solder Cup

Contact us: sales@integrated-circuit.com Website: www.integrated-circuit.com

Excellent Integrated System Limited

Stocking Distributor

Click to view price, real time Inventory, Delivery & Lifecycle Information:

[FCI](#)

[DB13W3SA00LF](#)

For any questions, you can email us directly:

sales@integrated-circuit.com

Contact us: sales@integrated-circuit.com Website: www.integrated-circuit.com

A

B

C

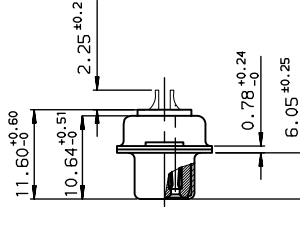
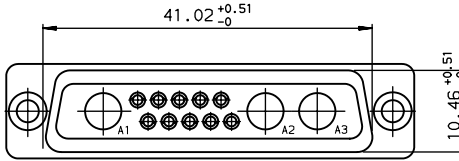
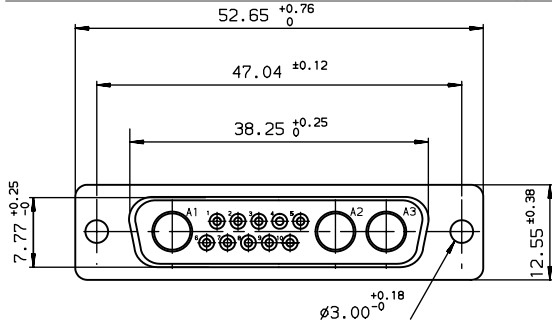
D

A

B

C

D



TIN LEAD PART NUMBER

DB13W3SA00
PART NUMBER

LEAD FREE PART NUMBER

DB13W3SA00LF
PART NUMBER

GENERAL CHARACTERISTICS AND ROHS INFORMATIONS:
SEE DRAWING C01-8639-0003

European Views

www.fciconnect.com		surface	tolerance std		projection	mm
		ISO 1302	ISO 406 ISO 1101			mm
		TOLERANCES UNLESS OTHERWISE SPECIFIED				
Dr	JARRY	1995/01/23	ANGULAR	0.X	±0.1	size A3
Eng	PESSON	1995/01/23	LINEAR	0.XX	±0.1	Scale 2
Chr	LEGARE	1995/01/23	0.XX	±2	0.XXX	±0.1
Appr	LEGARE	1995/01/23	Product family		D-SUB	ECN LS06-0095
rev	ecn no	dr	date	Spec ref		-
D	-	BAR	2003/10/28			
E	LS06-005	MPE	2005/03/16			
F	LS06-0095	LGO	2006/07/19			
FCI		SOCKET CONNECTOR MARK 1 WITH 10 SOLDER CONTACTS		2	C01-8639-0568	Rev. F
catalog no		-		CUSTOMER sheet 1 of 1		

REV F - 2006-04-17

1

2

3 PDM: Rev:F

STATUS: Released

Printed: Sep 13, 2006



Copyright FCI.