

## Excellent Integrated System Limited

Stocking Distributor

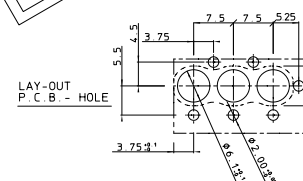
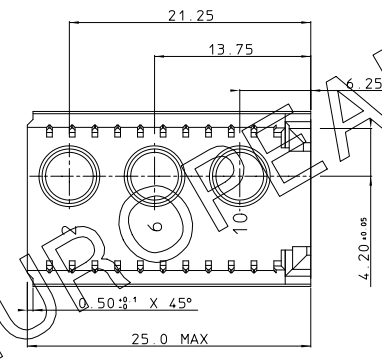
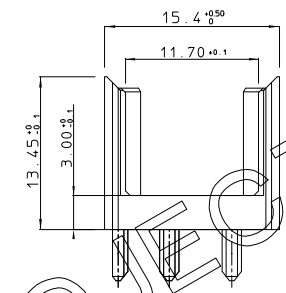
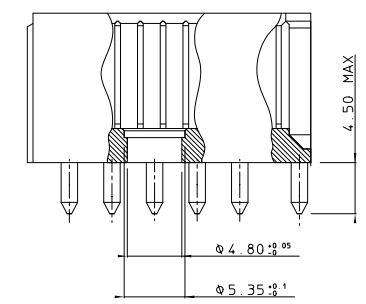
Click to view price, real time Inventory, Delivery & Lifecycle Information:

[FCI](#)  
[HM2P12P1LF](#)

For any questions, you can email us directly:  
[sales@integrated-circuit.com](mailto:sales@integrated-circuit.com)

BS,C,201632,006

GEN. ST.	01	02	03	04	05	06	07	08	00	50	60	70	80	90	REV.	DATE	DESCRIPTION	BY	C'K'D'	
INT. ST.	10	11	12	13	14	16	20	31	32	33	34	36	39	40	A	14-09-01	CONVERSION REVISION 05	KN		
																05	05.06.01	BEC 9.3525	R.M.	



THIS IS OUR EXCLUSIVE PROPERTY. IT IS NOT TO BE COPIED, REPRINTED OR DISCLOSED TO A THIRD PARTY. FOR USE FOR MANUFACTURING WITH OUR WRITTEN CONSENT, AND HAS TO BE RETURNED TO US IN CASE OF NO USAGE.

DIT IS ONZE EIGENDOM EN MAG NIET AFGEKOPIEERD, OVERGEDRUKT, OVERGEMERKT OF ONZE EIGENDOM OF NIET TOEGESTEMPT WORDEN. ZONDER ONZE SCHRIFTELIJKE TOELATING: BIJ NIET GEBRUIK IS TERUGGEGANGEN VERPLICHT.

NOTES

- 1. THIS PRODUCT IS CSA APPROVED.
- 2. THIS PRODUCT IS UL RECOGNIZED.

MALE BODY FOR 3 SPECIAL CONTACTS (WIDE VERSION)				
1DEC +0.2 1DEC	APPR.	DATE	SIGN.	MILLIPACS 2 / TYPE N
2DEC +0.1 2DEC	DRAFT	250893	W.Panis	
ANGLES +1° HOEKEN	CHECKED			CAT. No. HM2P12P1
WE RESERVE THE RIGHT TO CHANGE DIMENSIONS OR REQUIREMENTS WITHOUT PRIOR NOTICE.	PROD. MGR			FCI FCI MECHELEN N.V. A. SPINDIJSTRAAT 8, 2800 MECHELEN
ALL DIMENSIONS IN MM	PR. ENG. MGR			
	PR. MGT. MGR			
	REFERENCES / REFERENTIES			BS,C,201632,006
ALLE AFMETINGEN IN MM	DRAWING No.			CUSTOMER DRAWING
	DRAWING No.			REVISION

Rev: A STATUS: Released 13-09-01: 14-09-01