

Excellent Integrated System Limited

Stocking Distributor

Click to view price, real time Inventory, Delivery & Lifecycle Information:

[FCI](#)

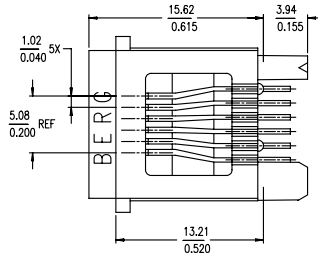
[90520-004LF](#)

For any questions, you can email us directly:

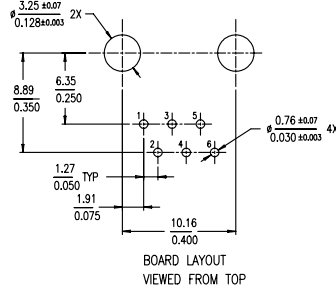
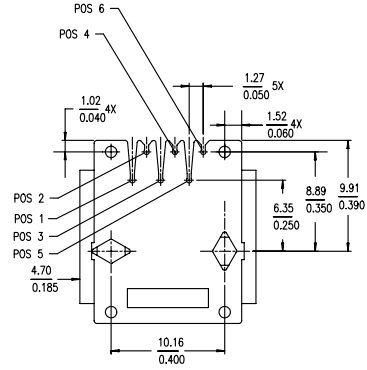
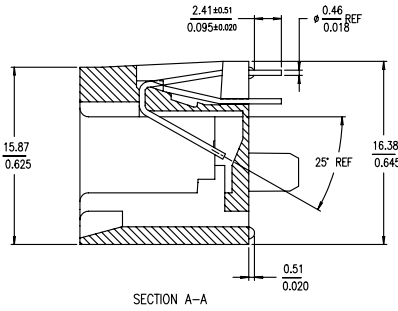
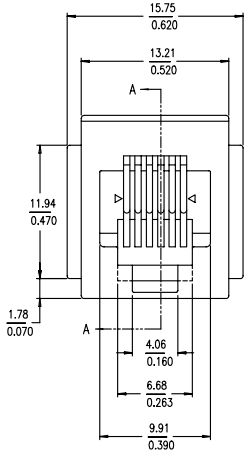
sales@integrated-circuit.com

PRODUCT NO.	POSITIONS LOADED	CONTACT PLATING	HSG COLOR	NOTES
90520-001-001LF	ALL	5u" Au + high performance lubricant	BLACK	NOTE 1
90520-002-002LF	2,3,4,5			NOTE 1
90520-003-003LF	ALL			-
90520-004-004LF	2,3,4,5			-

LEAD FREE PRODUCT NO.



- NOTES :
- SPECIAL PACKAGING.
 - GXT IS 0.76um / 30u" MIN GXT WITH Au FLASH OVER 1.27um / 50u" MIN Ni.
 - THIS PRODUCT MEETS EUROPEAN UNION DIRECTIVE AND OTHER COUNTRY REGULATIONS AS DESCRIBED IN GS-22-008
 - THE HOUSING WILL WITHSTAND EXPOSURE TO 260°C PEAK TEMPERATURE FOR 10 SECONDS IN A WAVE SOLDER APPLICATION WITH A 1.57mm MINIMUM THICK CIRCUIT BOARD IF LF P/N PACKAGING MEETS GS-14-920 SPECIFICATION



mat'l. code	surface	tolerance	projection	product family
	ISDI302 ✓	ISDI101 ISDI406	0.1	MOD JACK
tr.ecn no.dr date	tolerances unless otherwise specified	angle	mm	title
C 170458 Q 10/21/97	0.XX±0.3	0°±2'	scale 2.0	SP/SW 6 POS VERTICAL
D N04-0102 YS 11/23/04	0.XX±0.15			PCB MOD JACK ASSY
E N08-0064 SH 05/05/08	0.XXX±0.05			dwg no sheet 1 of 1 size
F ELX-N-010978 SH MW 3/14/12		dir CATHY LIN 10/21/97		90520 A4
		engr TONY CHIEN 10/21/97		type Product Customer Drawing
		chr TONY CHIEN 10/21/97		
		app'd JENN TSAO 10/21/97		
sheet revision				
index sheet 1				