



**Distributor of FCI: Excellent Integrated System Limited**

Datasheet of 92911-316 - Connector Receptacle 16 Position 0.079" (2.00mm) Gold Surface Mount

Contact us: [sales@integrated-circuit.com](mailto:sales@integrated-circuit.com) Website: [www.integrated-circuit.com](http://www.integrated-circuit.com)

---

## **Excellent Integrated System Limited**

Stocking Distributor

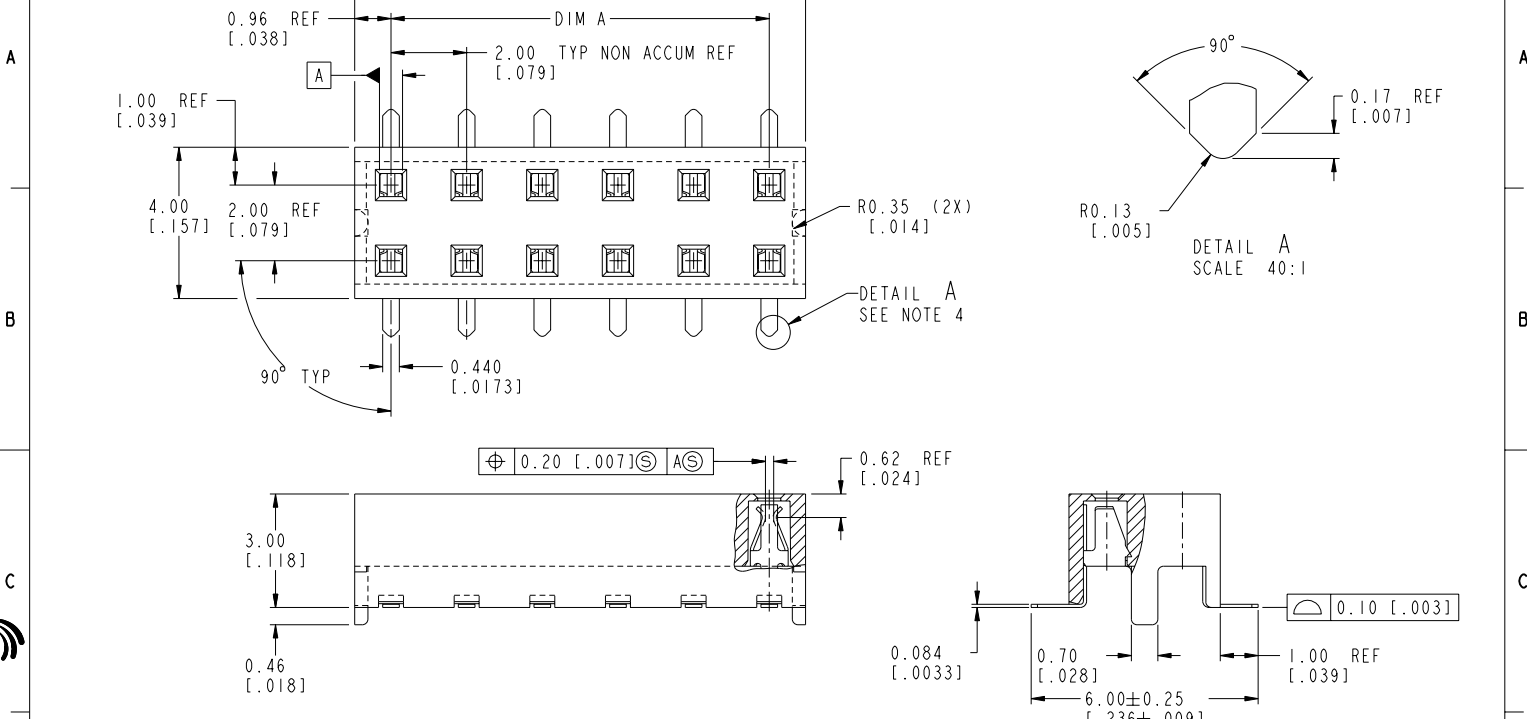
Click to view price, real time Inventory, Delivery & Lifecycle Information:

[FCI](#)  
[92911-316](#)

For any questions, you can email us directly:

[sales@integrated-circuit.com](mailto:sales@integrated-circuit.com)

Contact us: [sales@integrated-circuit.com](mailto:sales@integrated-circuit.com) Website: [www.integrated-circuit.com](http://www.integrated-circuit.com)



Copyright FCI.

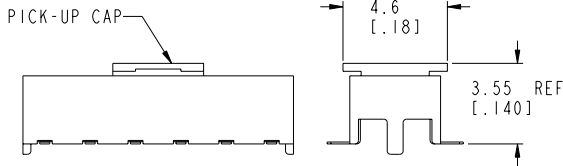
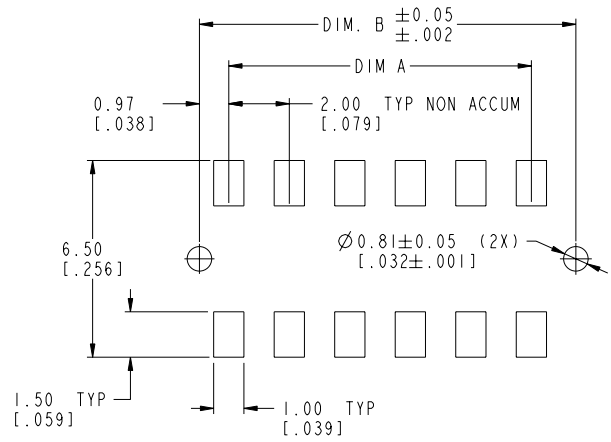
www.fciconnect.com				surface - ✓	tolerance std ISO 1302	ISO 406	ISO 1101	projection	MM / INCH																															
				TOLERANCES UNLESS OTHERWISE SPECIFIED				size A3	Scale 10:1																															
Dr	BS LOW	2000-01-06		ANGULAR	x.xx	xx	±0.3/.01																																	
Eng	BS LOW	2000-01-06		LINEAR	x.xxx	xxx	±0.13/.005																																	
Chr	KH LEE	2010-06-28		0° ±2°	x.xxx	xxxx	±0.05/.0020	ECN S10-0136																																
Appr	JOEY NG	2010-06-28		Product family		LPVCC	Spec ref																																	
<table border="1"> <tr> <th>rev</th> <th>ecn no</th> <th>dr</th> <th>date</th> </tr> <tr> <td>K</td> <td>S40325</td> <td>BSL</td> <td>1994-12-20</td> </tr> <tr> <td>L</td> <td>S80115</td> <td>BSL</td> <td>1998-05-14</td> </tr> <tr> <td>M</td> <td>V94400</td> <td>BSL</td> <td>1999-12-01</td> </tr> <tr> <td>N</td> <td>S05-0064</td> <td>KBM</td> <td>2005-03-01</td> </tr> <tr> <td>P</td> <td>S10-0136</td> <td>NBR</td> <td>2010-06-28</td> </tr> <tr> <td>-</td> <td>-</td> <td>-</td> <td>-</td> </tr> <tr> <td>-</td> <td>-</td> <td>-</td> <td>-</td> </tr> </table>				rev	ecn no	dr	date	K	S40325	BSL	1994-12-20	L	S80115	BSL	1998-05-14	M	V94400	BSL	1999-12-01	N	S05-0064	KBM	2005-03-01	P	S10-0136	NBR	2010-06-28	-	-	-	-	-	-	-	-	<b>FCI</b> TITLE LOW PROFILE VCC SMT 3.00 ASSY WITH 0.46/.018 LOCATING FEATURES catalog no		Eng no 92911		Rev. P
rev	ecn no	dr	date																																					
K	S40325	BSL	1994-12-20																																					
L	S80115	BSL	1998-05-14																																					
M	V94400	BSL	1999-12-01																																					
N	S05-0064	KBM	2005-03-01																																					
P	S10-0136	NBR	2010-06-28																																					
-	-	-	-																																					
-	-	-	-																																					
				CUSTOMER		sheet 1 of 3																																		

**CONFIDENTIAL**

Contact us: sales@integrated-circuit.com Website: www.integrated-circuit.com

PRODUCT NO	POSITIONS	DIM. A	DIM. B
92911-X04	2 X 2	4.00/.158	5.92/.233
-X06	2 X 3	6.00/.236	7.92/.312
-X08	2 X 4	8.00/.315	9.92/.391
-X10	2 X 5	10.00/.394	11.92/.469
-X12	2 X 6	12.00/.472	13.92/.548
-X14	2 X 7	14.00/.551	15.92/.627
-X16	2 X 8	16.00/.630	17.92/.706
-X18	2 X 9	18.00/.709	19.92/.784
-X20	2 X 10	20.00/.787	21.92/.863
-X22	2 X 11	22.00/.866	23.92/.942
-X24	2 X 12	24.00/.945	25.92/1.020
-X26	2 X 13	26.00/1.024	27.92/1.099
-X28	2 X 14	28.00/1.102	29.92/1.178
-X30	2 X 15		

PLATING OPTIONS OVER CONTACT AREA	
0	= 0.2µ/8µ" Au
1	= 0.76µ/30µ" Au
3	= 0.38µ/15µ" Au



**CONFIDENTIAL**

www.fciconnect.com		surface	tolerance std	projection	MM / INCH
Dr	BS LOW	ISO 1302	ISO 406 ISO 1101	MM / INCH	Scale
Eng	BS LOW	TOLERANCES UNLESS OTHERWISE SPECIFIED		size	A3
Chr	KH LEE	ANGULAR	LINEAR	ECN	S10-0136
Appr	JOEY NG	0° ±2°	x.xx.xx ±0.3/.01	Product family	LPVCC
Title		Product family		Spec ref	
LOW PROFILE VCC SMT 3.00 ASSY		LPVCC		Eng no	92911
WITH 0.46/.018 LOCATING FEATURES		CUSTOMER		Rev.	P
catalog no		CUSTOMER		sheet 2 of 3	

Contact us: [sales@integrated-circuit.com](mailto:sales@integrated-circuit.com) Website: [www.integrated-circuit.com](http://www.integrated-circuit.com)

NOTES:

- 1 HOUSING MATERIAL : HIGH TEMP PLASTIC
- 2 TERMINAL MATERIAL : BeCu.
- 3 TERMINAL RETENTION 0.5Kg/1.1 Lbs.
- ④ 'V' CUT OPTIONAL - MANUFACTURING PROCESS OPTION.
- ⚠ ⑤ SOLDER TAIL PLATING:
  - a) SOLDER TAIL OF P/N: 92911 - XXX IS TIN/LEAD PLATED.
  - b) SOLDER TAIL OF P/N: 92911 - XXXLF IS GOLD FLASH PLATED.
- 6 PRODUCT DESCRIPTION CODE:
 

XXXXX-X	XXLF
_____	_____
_____	_____
_____	_____
_____	_____

  - LEAD FREE (SEE NOTE 5b & 9)
  - TOTAL POSITIONS
  - CONTACT PLATING
  - BASE NUMBER
- ⑦ PACKAGING :
  - (a) XXXXX-XXX --- STD PACKAGING IN TUBE.
  - (b) XXXXX-XXXTR --- TAPE AND REEL (CONDUCTIVE) PACKAGING WITH PICK-UP CAP (SEE FIG 1).
  - (c) XXXXX-XXXTRN --- TAPE AND REEL (CONDUCTIVE) PACKAGING WITHOUT PICK-UP CAP.
  - (d) XXXXX-XXXCR --- TAPE AND REEL (NON-CONDUCTIVE) PACKAGING WITH PICK-UP CAP (SEE FIG 1).
  - (e) XXXXX-XXXCRN --- TAPE AND REEL (NON-CONDUCTIVE) PACKAGING WITHOUT PICK-UP CAP.
- 8 THE HOUSING WILL WITHSTAND EXPOSURE TO 255°C PEAK TEMPERATURE FOR 10 SECONDS IN A CONVECTION, INFRA-RED OR VAPOR PHASE REFLOW OVEN.
- ⑨ THIS PRODUCT MEETS EUROPEAN UNION DIRECTIVES AND OTHER COUNTRY REGULATIONS AS DESCRIBED IN GS-22-008.
- ⚠ ⑩ A ⚠ SYMBOL WILL BE NEXT TO ANY DIMENSION, VIEW OR NOTE WHICH HAS BEEN MODIFIED WITH THE CURRENT DRAWING REVISION.

www.fciconnect.com				surface ISO 1302	tolerance std ISO 406 ISO 1101	projection MM / INCH	← Scale →		
				TOLERANCES UNLESS OTHERWISE SPECIFIED					
Dr	BS LOW	2000-01-06	ANGULAR	LINEAR	x.xx/xx	±0.3/0.1	size	A3	
Eng	BS LOW	2000-01-06			x.xx/xxx	±0.13/0.005	ECN	S10-0136	
Chr	KH LEE	2010-06-28	0° ±2°		x.xxx/xxx	±0.05/0.0020	Spec ref	-	
Appr	JOEY NG	2010-06-28	Product family		LPVCC				
				Title		Eng no	Rev.		
				LOW PROFILE VCC SMT 3.00 ASSY		92911	P		
				WITH 0.46/.018 LOCATING FEATURES		CUSTOMER		sheet 3 of 3	
				catalog no					

**CONFIDENTIAL**

Copyright FCI.