



**Distributor of FCI: Excellent Integrated System Limited**

Datasheet of D25S81C6BA00LF - D-Sub Connector Receptacle, Female Sockets 25 Position Through Hole, Right Angle Press-Fit

Contact us: [sales@integrated-circuit.com](mailto:sales@integrated-circuit.com) Website: [www.integrated-circuit.com](http://www.integrated-circuit.com)

---

## Excellent Integrated System Limited

Stocking Distributor

Click to view price, real time Inventory, Delivery & Lifecycle Information:

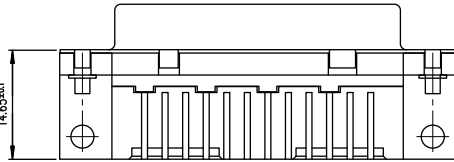
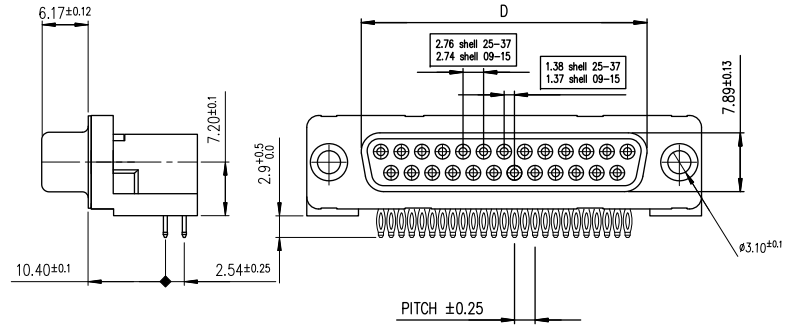
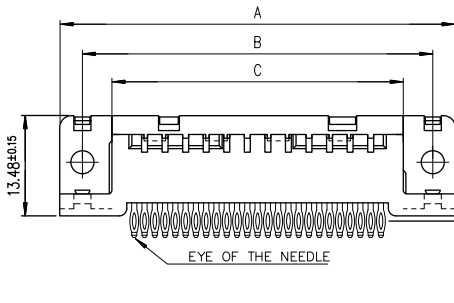
[FCI](#)

[D25S81C6BA00LF](#)

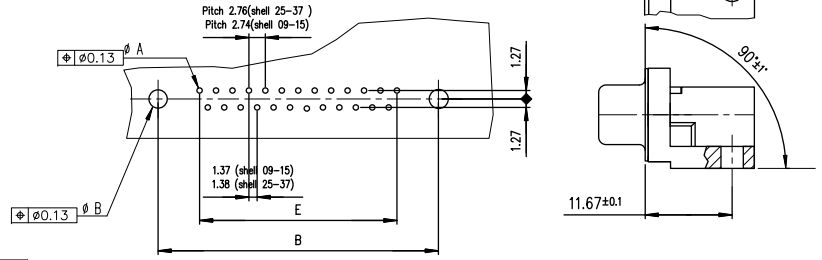
For any questions, you can email us directly:

[sales@integrated-circuit.com](mailto:sales@integrated-circuit.com)

Contact us: [sales@integrated-circuit.com](mailto:sales@integrated-circuit.com) Website: [www.integrated-circuit.com](http://www.integrated-circuit.com)



PC card drilling dimensions(after plating)  
(thickness 1.60  $\pm$ 0.20 )



TIN LEAD PART NUMBER

SHELL	A $\pm$ 0.38	B $\pm$ 0.12	C $\pm$ 0.10	D $\pm$ 0.25	E $\pm$ 0.07	PART NUMBER	PART NUMBER
09	30.81	24.99	18.00	16.21	10.96	--	--
15	39.14	33.32	26.32	24.54	19.18	--	--
25	53.03	47.04	40.04	38.25	33.12	D25S81C4BA00	D25S81C6BA00
37	69.32	63.50	56.50	54.71	49.68	--	--
						200 Mating cycles	500 Mating cycles

LEAD FREE PART NUMBER

SHELL	A $\pm$ 0.38	B $\pm$ 0.12	C $\pm$ 0.10	D $\pm$ 0.25	E $\pm$ 0.07	PART NUMBER	PART NUMBER
09	30.81	24.99	18.00	16.21	10.96	--	--
15	39.14	33.32	26.32	24.54	19.18	--	--
25	53.03	47.04	40.04	38.25	33.12	D25S81C4BA00LF	D25S81C6BA00LF
37	69.32	63.50	56.50	54.71	49.68	--	--
						200 Mating cycles	500 Mating cycles

GENERAL CHARACTERISTICS AND ROHS INFORMATIONS:  
SEE DRAWING C01-8646-0001

mat'l. code	surface	tolerance	projection	product family
	ISO 1302	ISO 406 ISO 1101		D-SUB
lfr	ecn no	date	tolerances unless otherwise specified	title
H	BLX-H-18050	MP	2014/06/23	FEMALE CONNECTOR DELTA-D STD EUROPE
			angles	RIGHT ANGLED PRESS FIT
			linear	MM
			0 $\pm$ 2°	scale 2:1
			.000 $\pm$ 0.1	
dr	PESSON	1993/06/28		FCI
eng'd	MITHUN PAUL	2014/06/23		dwg no
chr	ALIAS BABU	2014/06/23		sheet 1 of 1
app'd	BIJU K PAUL	2014/06/23		size
				A3
sheet index	revision sheet	H		type
	1			Product Customer Drawing