



Distributor of FCI: Excellent Integrated System Limited

Datasheet of D25P23A4GV00LF - D-Sub Connector Plug, Male Pins 25 Position Through Hole, Right Angle Solder

Contact us: sales@integrated-circuit.com Website: www.integrated-circuit.com

Excellent Integrated System Limited

Stocking Distributor

Click to view price, real time Inventory, Delivery & Lifecycle Information:

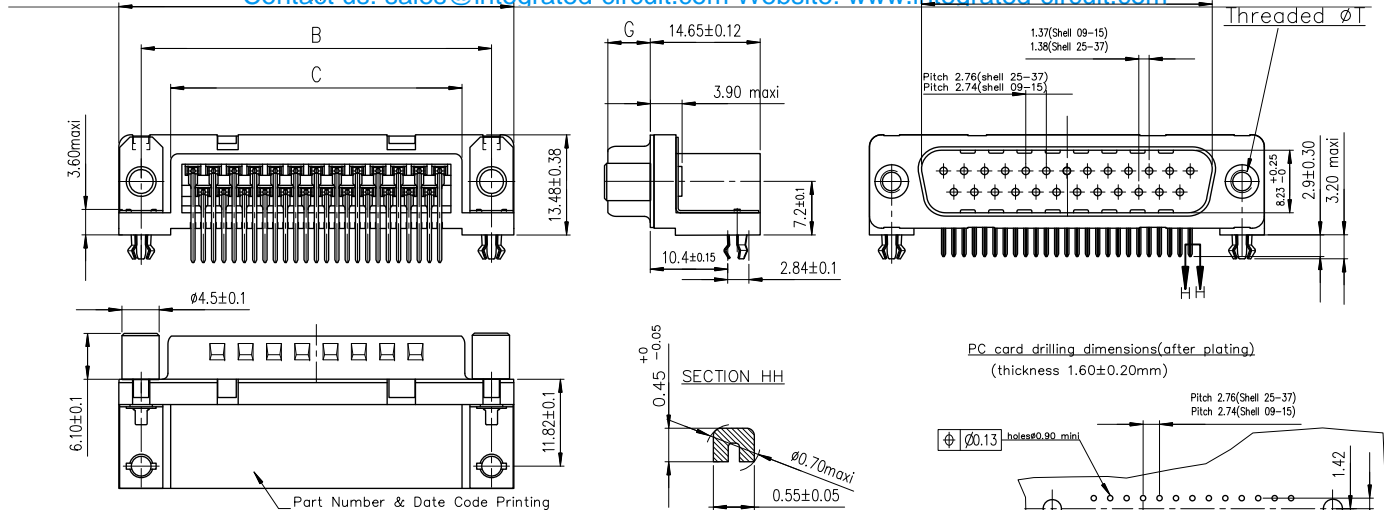
[FCI](#)

[D25P23A4GV00LF](#)

For any questions, you can email us directly:

sales@integrated-circuit.com

Contact us: sales@integrated-circuit.com Website: www.integrated-circuit.com



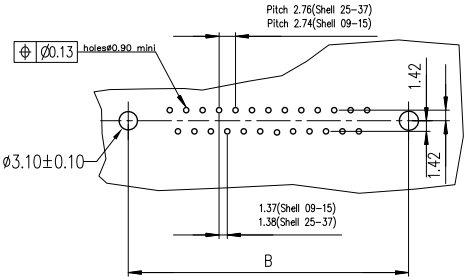
Part Number & Date Code Printing

SHELL	A±0.38	B±0.12	C±0.10	D±0.25	G±0.25	Plating: 0.76µ AU	Plating: Flash AU
09	30.81	24.99	16.96	16.79	5.90	D09P23A6G*00**	D09P23A4G*00**
15	39.14	33.32	25.18	25.12	5.90	D15P23A6G*00**	D15P23A4G*00**
25	53.03	47.04	39.12	38.84	5.70	D25P23A6G*00**	D25P23A4G*00**
37	69.32	63.50	55.68	55.30	5.70	D37P23A6G*00**	D37P23A4G*00**

REQUIREMENTS
Technical characteristics:
 Shell: Steel Tin/Zinc Cr3 plated
 Insulators: Self-extinguishing black polyester, UL class 94V0
 Contacts size 20: brass, gold on mating end, bright tin on termination end over nickel on entire contact
 Cycles :500 for protection 6
 :200 for protection 4
 Harpoons: phosphor bronze, tin plated
 Metal plate for electrical continuity: brass, tin plated
 Nuts: brass, tin/Zinc Cr3 plated torque: 0.5N/m
Electrical characteristics:
 max. current rating: 5A
 Test voltage: 1000V
 Rated voltage: 300V
 Contact resistance: ≤15mΩ
 Shell resistance: ≤5mΩ
 Insulation resistance: ≥5000MΩ
Climatic characteristics:
 Operating temperature range: -55°C +125°C
Dimensions:
 in accordance with MIL-C-24308

Threaded ØT M3 = I
 Threaded ØT 4.40 = V
 LF FOR LEAD FREE

PC card drilling dimensions(after plating)
 (thickness 1.60±0.20mm)



FOR ROHS DETAILS REFER DWG.NO: C01-8646-0000

mat'l. code	surface	tolerance	projection	product family
SEE NOTES	ISO 1302	ISO 406 ISO 1101	MM	DELTA-D
lfr	ecn no	dr	date	tolerances unless otherwise specified
B	005-0124	JS	2005/07/27	angles 0.XX± 0.1
C	006-0074	SK	2006/06/08	linear 0.XX± 0.1
D	ELX-I-15660	AB	2013/06/25	0.XXX± 0.1
-	-	dr	JOHN.SLEEBA	2005/06/14
-	-	engd	GEORGE.V.J	2005/06/14
-	-	chr	ALIAS.BABU	2013/06/25
-	-	appd	MITHUN.PAUL	2013/06/25
sheet	revision	D	-	-
index	sheet	1	-	-
scale 1:1				WITH FEMALE SCREW, HARPOON & METAL BRACKET
FCI				dwg no sheet 1 of 1 size
type CUSTOMER Drawing				C01-8646-0743 A3