



**Distributor of FCI: Excellent Integrated System Limited**

Datasheet of D50S90C6PX00LF - D-Sub Connector Receptacle, Female Sockets 50 Position Through Hole Press-Fit

Contact us: [sales@integrated-circuit.com](mailto:sales@integrated-circuit.com) Website: [www.integrated-circuit.com](http://www.integrated-circuit.com)

---

## Excellent Integrated System Limited

Stocking Distributor

Click to view price, real time Inventory, Delivery & Lifecycle Information:

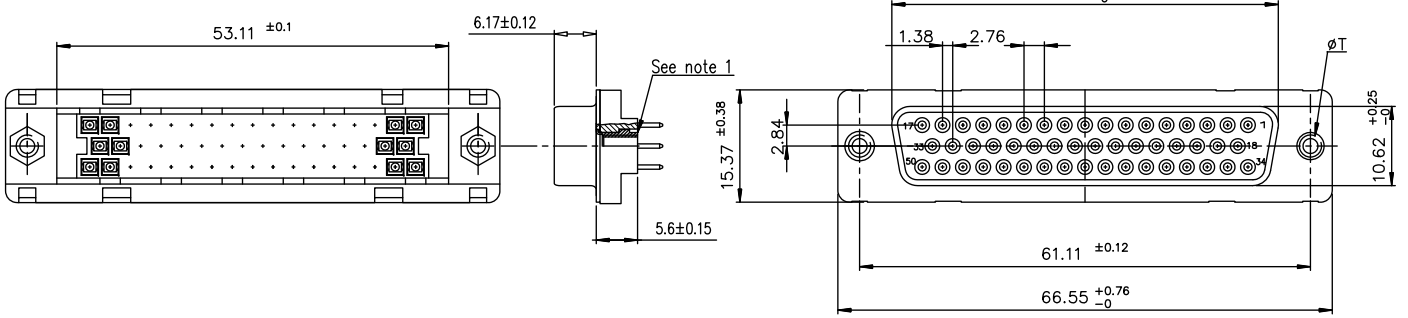
[FCI](#)

[D50S90C6PX00LF](#)

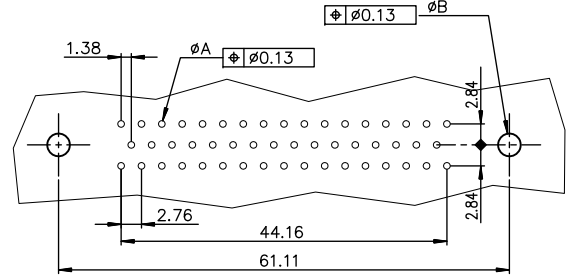
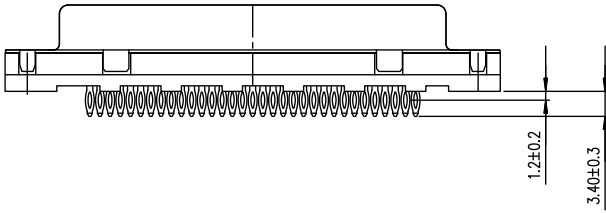
For any questions, you can email us directly:

[sales@integrated-circuit.com](mailto:sales@integrated-circuit.com)

Contact us: [sales@integrated-circuit.com](mailto:sales@integrated-circuit.com) Website: [www.integrated-circuit.com](http://www.integrated-circuit.com)



PC board drilling dimensions  
(after plating - thickness: 1.60 to 3.20 mm)



LEAD FREE PART NUMBER

PART NUMBER	
flash gold	D50S90C4P*00LF
0.76 μ gold	D50S90C6P*00LF

X -> ØT=UNC 4-40  
L -> ØT=M3

GENERAL CHARACTERISTICS AND ROHS INFORMATIONS:  
SEE DRAWING C01-8646-0001

Notes:

1) The nut can protrude above the surface of insulator but maintaining the footprint dimension 5.60±0.15 mm.

mat'l. code	surface	ISO 1302	tolerance	ISO 416	ISO 1101	projection	product family
			ISO 416	ISO 1101			D-SUB
ltr	ecn no	dr	date	tolerances unless otherwise specified			title
E	BX-1-2126	AB	2015/07/14	.0±0.1	linear	MM	FEMALE DELTA-D LOW PROFILE STRAIGHT PRESS FIT
				.00±0.1	angles	scale: 2:1	dwg no
				.000±0.1	0°±2°		sheet 1 of 1
							size
							A3
							type
							Product Customer Drawing
sheet index	revision sheet	E	1				