

Excellent Integrated System Limited

Stocking Distributor

Click to view price, real time Inventory, Delivery & Lifecycle Information:

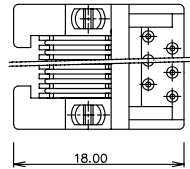
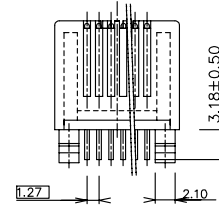
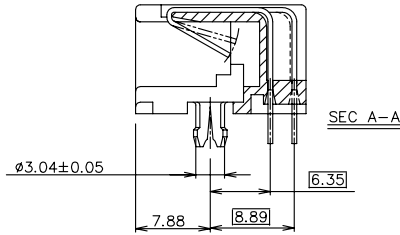
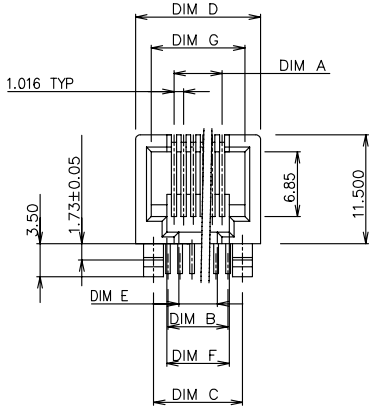
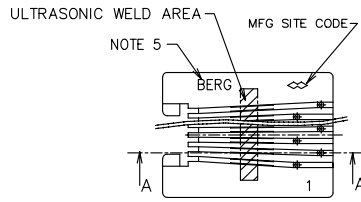
[FCI](#)

[93067-066LF](#)

For any questions, you can email us directly:

sales@integrated-circuit.com

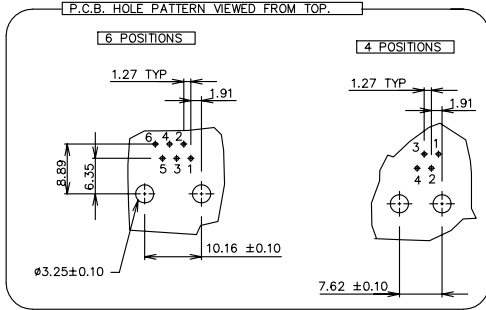
PRODUCT NO.
93067-XXX



mat'l. code	surface	tolerance	projection	product family
A T30105	ISDI302	ISDI101 ISD406		MOD JACK
B T40242	CL	tolerances unless otherwise specified	mm	title
C T03-0443	WL	angle	scale 2.0	LOW PROFILE PCB III HORZ MOD JACK FOR 1.6MM P.C.B.
D N05-0030	YS	0°±2'		dwg no 93067 sheet 1 of 2 size A4
E ELX-N-010896SH	WD	0°±2'		type Product Customer Drawing
sheet revision E E	dir KCHOU	engr TONY CHIEN	appd JENN TSAO	
index sheet 1 2	date 04/22/93	date 04/22/93	date 04/22/93	

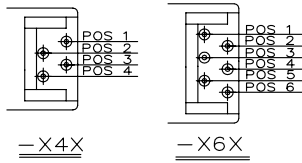
PRODUCT NO.
93067-xxx

PRODUCT NUMBER	NUMBER OF POS.	DIM A	DIM B	DIM C	DIM D	DIM E	DIM F	DIM G	LOA DED POSITION	PLATING
93067-066	6	5.08	6.35	10.16	13.20	4.06	6.60	9.90	ALL POS.	5u" Au + high performance lubricant
93067-066LF										



NOTES:

1. RECOMMENDED P.C.B THICKNESS 1.60 MM
2. HOUSING MAT'L: NYLON 6/6, 25% GLASS REINFORCED, UL94-V0, COLOR-BLACK.
3. CONTACTS: PHOS BRONZE ALLOY UNS-C51000, 0.460DIA. ROUND WIRE. PLATING SEE TABLE.
4. STANDARD PACKAGING METHOD(USE TUBE): SEE GES-14-361.
5. COMPANY LOGO CAN BE "BERG" OR "DU PONT", AND WOULD APPEAR IN THE SAME SHIPMENT UNLESS LOGO SPEC HEREIN IS UPDATED.
6. COMPANY LOGO CAN BE "BERG" OR "DU PONT", AND WOULD APPEAR IN THE SAME SHIPMENT UNLESS LOGO SPEC HEREIN IS UPDATED.
7. THE PRODUCT MEETS EUROPEAN UNION DIRECTIVES AND OTHER COUNTRY REGULATIONS AS DESCRIBED IN GS-22-008
8. THE HOUSING WILL WITHSTAND EXPOSURE TO 260° PEAK TEMPERATURE FOR 10 SECONDS IN A WAVE SOLDER APPLICATION WITH A 1.60mm MINIMUM THICK CIRCUIT BOARD
9. IF LF P/N PACKAGING MEETS GS-14-920 SPECIFICATION



WIRE POSITION No

mat'l. code	surface	tolerance	projection	product family
	ISD1302 ✓	ISD1101 ISD406	mm	MOD JACK
tr	ecn	ndat	date	title
E				LOW PROFILE PCB III HORZ MOD JACK.FOR 1.6MM P.C.B.
		angle	mm	scale 2.0
		0.1 ± 0.3		
		0.15 ± 0.15		
		0.05 ± 0.05		
	dr	KCHOU	04/22/93	FCI
	eng	TONY CHIEN	04/22/93	dwg no
	chr	TONY CHIEN	04/22/93	93067
	appd	JENN TSAO	04/22/93	sheet 2 of 2
sheet	revision			size
index	sheet			A4
				type Product Customer Drawing