

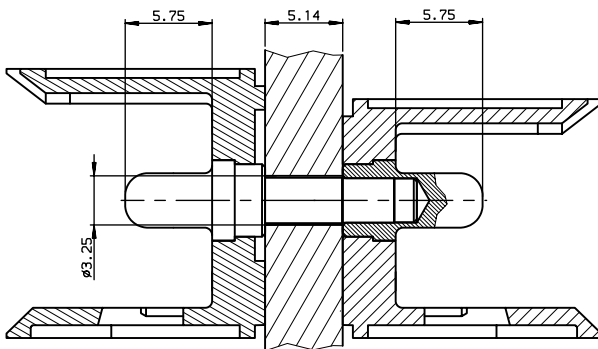
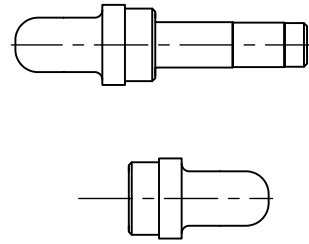
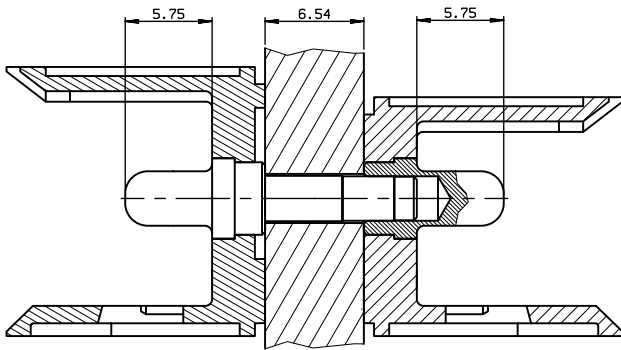
Excellent Integrated System Limited

Stocking Distributor

Click to view price, real time Inventory, Delivery & Lifecycle Information:

[FCI](#)
[HM13089LF](#)

For any questions, you can email us directly:
sales@integrated-circuit.com



Coupler in two parts for P.C.B
Accouplement des deux pièces sur le P.C.B

Thickness between 5.1 to 6.6 mm
Epaisseur comprise entre 5.1 et 6.6 mm

NOTE:RoHS INFORMATIONS

- The "LF" product meets European union Directives and other country regulations as described in 65-22-008.
- The product is not intended to be exposed to a manufacturing solder process.
- Packaging spec: see 65-14-920.

Part number: **HM13089LF**

PACKAGING INFORMATIONS
- 100 pieces of each part in a plastic bag (10x15).
- 1 plastic bag of each component in the carton box (C1).

PACKAGING INFORMATIONS
- 100 pièces de chaque produit emballée dans un sachet plastique (10x15).
- 1 sachet plastique de chaque produit dans un carton (C1).

rev	ecn no	dr	date
A	LS05-0086	JTA	2005/10/13
B	LS06-0095	LGO	2006/07/05
C	LS08-0083	JTA	2008/03/25
-	-	-	-
-	-	-	-
-	-	-	-

www.fciconnect.com		surface ISO 1302	tolerance std ISO 406 ISO 1101	projection	mm
		TOLERANCES UNLESS OTHERWISE SPECIFIED			
Dr	ETIEMBRE	2005/10/13		size	Scale
Eng	TARON	2005/10/13	ANGULAR	A3	4
Chr	LEGARE	2005/10/13	LINEAR		
Appr	LEGARE	2005/10/13	0.XX ±0.1 0.XXX ±0.1	ECN	LS08-0083
		Product family	METRAL	Spec ref	RELEASED
FCI		MINI-MAXI COUPLER PIN IN BACK		Rev.	C
catalog no		-		CUSTOMER	sheet 1 of 1
		PANEL FOR LUCENT			
		C-8626-11299			

REV F - 2008-04-17

1

2

PDM: Rev:C

STATUS:Released

Printed: Sep 29, 2009

Copyright FCI.