



**Distributor of FCI: Excellent Integrated System Limited**

Datasheet of D09P80C6PV00 - D-Sub Connector Plug, Male Pins 9 Position Through Hole, Right Angle Press-Fit

Contact us: [sales@integrated-circuit.com](mailto:sales@integrated-circuit.com) Website: [www.integrated-circuit.com](http://www.integrated-circuit.com)

---

## Excellent Integrated System Limited

Stocking Distributor

Click to view price, real time Inventory, Delivery & Lifecycle Information:

[FCI](#)

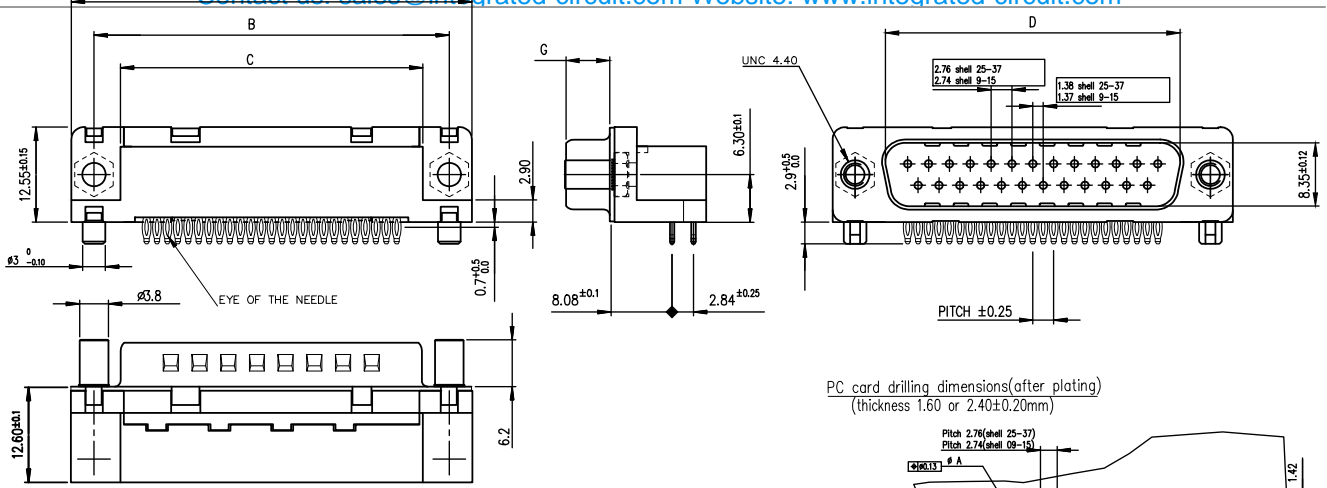
[D09P80C6PV00](#)

For any questions, you can email us directly:

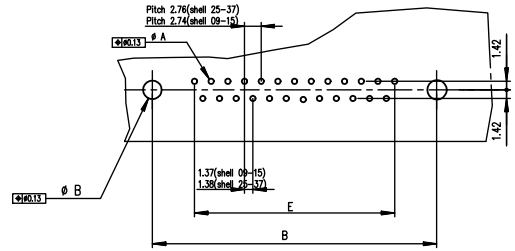
[sales@integrated-circuit.com](mailto:sales@integrated-circuit.com)

Contact us: [sales@integrated-circuit.com](mailto:sales@integrated-circuit.com) Website: [www.integrated-circuit.com](http://www.integrated-circuit.com)

view shown without plastic pin



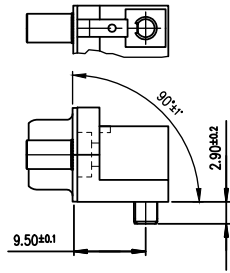
PC card drilling dimensions(after plating)  
(thickness 1.60 or 2.40±0.20mm)



SHELL	A±0.38	B±0.12	C±0.10	D ±0.25	E±0.07	G	PART NUMBER	PART NUMBER
09	30.81	24.99	18.00	16.79	10.96	5.90 <sup>+0.15</sup> <sub>0</sub>	D09P80C4PV00	D09P80C6PV00
15	39.14	33.32	26.32	25.12	19.18	5.90 <sup>+0.15</sup> <sub>0</sub>	D15P80C4PV00	D15P80C6PV00
25	53.03	47.04	40.04	38.84	33.12	5.70 <sup>+0.25</sup> <sub>0</sub>	D25P80C4PV00	D25P80C6PV00
37	69.32	63.50	56.50	55.30	49.68	5.70 <sup>+0.25</sup> <sub>0</sub>	D37P80C4PV00	D37P80C6PV00

Gold flash 0,76 µ gold

Detail of plastic pin



GENERAL CHARACTERISTICS AND ROHS INFORMATIONS:  
SEE DRAWING C01-8646-0001

mat'l. code	surface	tolerance	projection	product family
ISO 1302	ISO 406	ISO 1101	product family	D-SUB
ltr	ecn no	dr	date	title
E	BLX-17859	MP	2014/06/06	MALE CONNECTOR DELTA-D US
angles	linear	tolerances unless otherwise specified	tolerances unless otherwise specified	RIGHT ANGLED PRESS FIT
0°±2°	linear	.0±0.1	.00±0.1	scale 2:1
dr	PESSON	1995/10/27	dr	MITHUN PAUL
engr	MITHUN PAUL	2014/06/06	chr	ALIAS BABU
chr	ALIAS BABU	2014/06/06	appd	BIJU K PAUL
appd	BIJU K PAUL	2014/06/06	sheet	revision
sheet	revision	E	sheet	1
index	sheet	1	index	sheet

STATUS:Released Printed: Jun 09, 2014