



**Distributor of FCI: Excellent Integrated System Limited**

Datasheet of D09P13B4UV00LF - D-Sub Connector Plug, Male Pins 9 Position Through Hole, Right Angle Solder

Contact us: [sales@integrated-circuit.com](mailto:sales@integrated-circuit.com) Website: [www.integrated-circuit.com](http://www.integrated-circuit.com)

---

## Excellent Integrated System Limited

Stocking Distributor

Click to view price, real time Inventory, Delivery & Lifecycle Information:

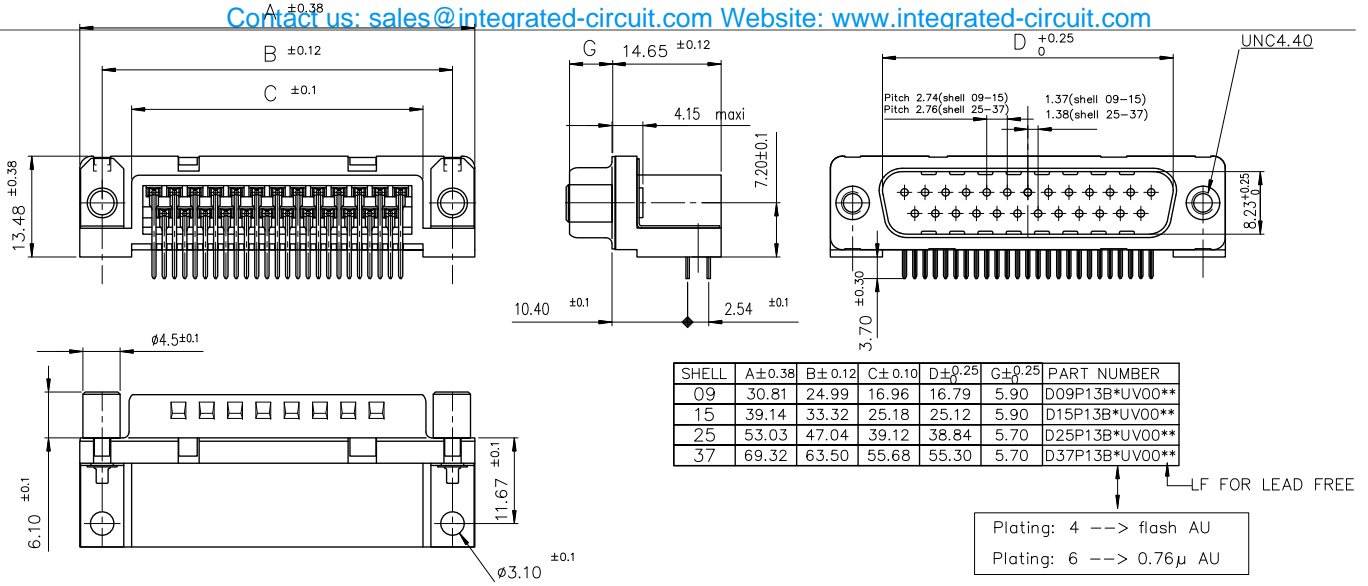
[FCI](#)

[D09P13B4UV00LF](#)

For any questions, you can email us directly:

[sales@integrated-circuit.com](mailto:sales@integrated-circuit.com)

Contact us: [sales@integrated-circuit.com](mailto:sales@integrated-circuit.com) Website: [www.integrated-circuit.com](http://www.integrated-circuit.com)



Plating: 4 --> flash AU  
Plating: 6 --> 0.76µ AU

SEE TABLE

**REQUIREMENTS**

**Technical characteristics:**  
Shell: steel tin plated  
Insulators: self-extinguishing black polyester, ULClass94V0  
Contacts size 20: brass, gold on mating end, bright tin on termination end over nickel on entire contact  
Cycles >500 for plating 6  
Cycles >200 for plating 4  
  
Screwlock: brass, tin plated  
Metal plate for electrical continuity: brass, tin plated

**Electrical characteristics:**  
max. current rating: 5A  
Test voltage: 1000V  
Rated voltage: 300V  
Contact resistance: ≤15mΩ  
Shell resistance: ≤5mΩ  
Insulation resistance: >5000MΩ

**Climatic characteristics:**  
Operating temperature range: -55°C +125°C  
**Dimensions:**  
in accordance with MIL-C-24308

mat'l. code		surface		tolerance		projection		product family	
SEE NOTES		ISO 1302	ISO 406	ISO 1101	tolerances unless otherwise specified		D-SUB		
lfr	ecn no	dr	date	angles	O.X ±0.1	linear	O.XX ±0.1	title	
C	ELXII-15060	AB	2013/06/25	X±1°	O.XXX±0.1	scale 2:1	MALE CONNECT. DELTA D RIGHT ANGLED WITH SCREWLOCK, METAL BRACKET		
dr	JOUBERT	1996/08/01	engd		ALIAS.BABU	2013/06/25	dwg no		sheet 1 of 1
chr	MITHUN.PAUL	2013/06/25	appd		BIJU.K.PAUL	2013/06/25	C01-8646-0287		A3
sheet index	revision sheet	C	1	type		CUSTOMER Drawing			