

## Excellent Integrated System Limited

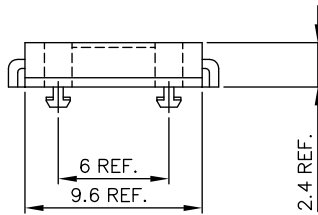
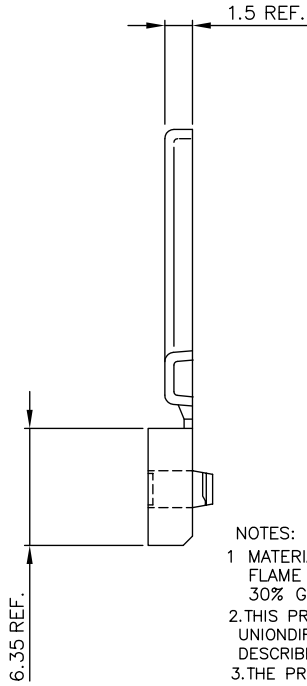
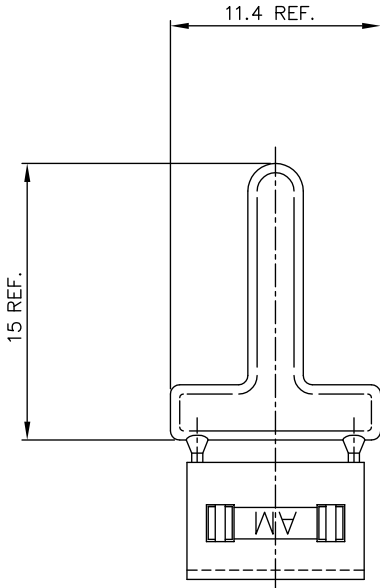
Stocking Distributor

Click to view price, real time Inventory, Delivery & Lifecycle Information:

[FCI](#)  
[90837-101LF](#)

For any questions, you can email us directly:  
[sales@integrated-circuit.com](mailto:sales@integrated-circuit.com)

PRODUCT NUMBER 90837-101LF



**NOTES:**

- 1 MATERIAL: LIQUID CRYSTAL POLYMER.  
FLAME RETARDANT ACC. UL 94-V0  
30% GLASS FILLED, COLOR-GREEN.
- 2.THIS PRODUCT WITH "LF" SUFFIX MEETS EUROPEAN UNION DIRECTIVES AND OTHER COUNTRY REGULATIONS AS DESCRIBED IN GS -22-008.
- 3.THE PRODUCT IS NOT INTENDED TO BE EXPOSED TO A MANUFACTURING SOLDER PROCESS.

mat'l. code		tolerances unless otherwise specified		CUSTOMER COPY		<b>FCI</b> <b>ELECTRONICS</b> www.fciconnect.com	
SEE NOTE 1						title <b>BLOCKING KEY HEADER</b>	
ltr	ecn no	dr	date	linear	projection	product family <b>METRAL (tm)</b> code 213	
A	V11997	SCS	910715		A3	size dwg no 90837	
B	V31650	SCS	930830			sheet 1 of 1	
C	V41309	RDO	940729	angles	mm		
D	H40388	RVI	940810	dr	D. de Bil	940609	
E	pc05-038	Clu	051011	eng	E. Feijen	940729	
				chr	G.S. Lee	940609	
				app	G.S. Lee	940609	
sheet index	revision sheet	E	1				

**PDM: Rev:E**

**STATUS: Released**

Printed: May 19, 2061

Tous droits réservés. Reproduction ou utilisation sans autorisation écrite de FCI est interdite. Toute réimpression sans autorisation écrite de FCI est interdite.

All rights reserved. Reproduction or use without written authority from FCI is prohibited.