

## Excellent Integrated System Limited

Stocking Distributor

Click to view price, real time Inventory, Delivery & Lifecycle Information:

[FCI](#)  
[HM2P07PDT2E0N9LF](#)

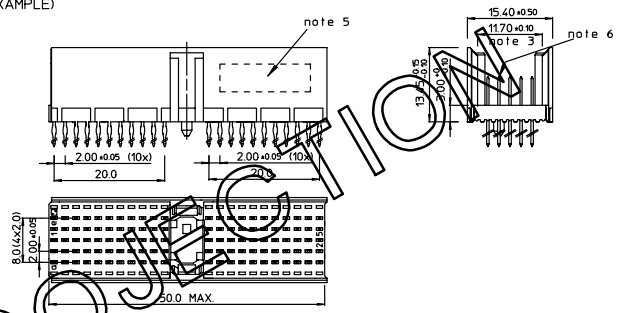
For any questions, you can email us directly:  
[sales@integrated-circuit.com](mailto:sales@integrated-circuit.com)

|                  |          |    |    |    |    |    |    |    |    |    |    |    |    |    |    |      |      |             |    |        |    |    |    |    |    |    |    |    |    |    |    |    |   |            |          |            |          |       |     |
|------------------|----------|----|----|----|----|----|----|----|----|----|----|----|----|----|----|------|------|-------------|----|--------|----|----|----|----|----|----|----|----|----|----|----|----|---|------------|----------|------------|----------|-------|-----|
| BS,C ,202788,261 | GEN. ST. | 01 | 02 | 03 | 04 | 05 | 06 | 07 | 08 | 0D | 50 | 60 | 70 | 80 | 90 | REV. | DATE | DESCRIPTION | BY | C'K'D' |    |    |    |    |    |    |    |    |    |    |    |    |   |            |          |            |          |       |     |
|                  | INT. ST. | 10 | 11 | 12 | 13 | 14 | 18 | 20 | 31 | 32 | 33 | 34 | 38 | 39 | 40 | 42   | 43   | 44          | 45 | 46     | 48 | 56 | 70 | 72 | 73 | 75 | 76 | 81 | 82 | 83 | 84 | 88 | B | 2005-10-07 | 105-0184 | ALEX B     | BOP      |       |     |
|                  |          |    |    |    |    |    |    |    |    |    |    |    |    |    |    |      |      |             |    |        |    |    |    |    |    |    |    |    |    |    |    |    |   |            | C        | 2006-08-12 | 106-0147 | VIWEK | BOP |

LOADING PATTERN MATING SIDE

|    |   |   |   |   |   |   |   |   |   |   |   |   |   |   |   |   |   |   |   |   |   |   |   |   |   |   |   |   |   |   |   |   |   |   |   |   |   |   |   |   |
|----|---|---|---|---|---|---|---|---|---|---|---|---|---|---|---|---|---|---|---|---|---|---|---|---|---|---|---|---|---|---|---|---|---|---|---|---|---|---|---|---|
| f  | 0 | 0 | 0 | 0 | 0 | 0 | 0 | 0 | 0 | 0 | 0 | 0 | 0 | 0 | 0 | 0 | 0 | 0 | 0 | 0 | 0 | 0 | 0 | 0 | 0 | 0 | 0 | 0 | 0 | 0 | 0 | 0 | 0 | 0 | 0 | 0 | 0 | 0 |   |   |
| e  | 4 | 5 | 5 | 6 | 6 | 5 | 5 | 6 | 5 | 5 | 5 | 5 | 5 | 5 | 5 | 5 | 5 | 5 | 5 | 5 | 5 | 5 | 5 | 5 | 5 | 5 | 5 | 5 | 5 | 5 | 5 | 5 | 5 | 5 | 5 | 5 | 5 | 5 | 5 | 6 |
| d  | 5 | 5 | 5 | 5 | 5 | 5 | 5 | 5 | 4 | 4 | 5 | 5 | 5 | 5 | 5 | 5 | 5 | 5 | 5 | 5 | 5 | 5 | 5 | 5 | 5 | 5 | 5 | 5 | 5 | 5 | 5 | 5 | 5 | 5 | 5 | 5 | 5 | 5 | 5 | 6 |
| c  | 5 | 5 | 5 | 5 | 5 | 5 | 5 | 5 | 5 | 5 | 5 | 5 | 5 | 5 | 5 | 5 | 5 | 5 | 5 | 5 | 5 | 5 | 5 | 5 | 5 | 5 | 5 | 5 | 5 | 5 | 5 | 5 | 5 | 5 | 5 | 5 | 5 | 5 | 5 | 4 |
| b  | 5 | 5 | 5 | 5 | 5 | 5 | 5 | 5 | 5 | 5 | 5 | 5 | 5 | 5 | 5 | 5 | 5 | 5 | 5 | 5 | 5 | 5 | 5 | 5 | 5 | 5 | 5 | 5 | 5 | 5 | 5 | 5 | 5 | 5 | 5 | 5 | 5 | 5 | 5 | 5 |
| q  | 5 | 5 | 5 | 5 | 5 | 5 | 5 | 5 | 5 | 5 | 5 | 5 | 5 | 5 | 5 | 5 | 5 | 5 | 5 | 5 | 5 | 5 | 5 | 5 | 5 | 5 | 5 | 5 | 5 | 5 | 5 | 5 | 5 | 5 | 5 | 5 | 5 | 5 | 5 | 4 |
| Z  | 0 | 0 | 0 | 0 | 0 | 0 | 0 | 0 | 0 | 0 | 0 | 0 | 0 | 0 | 0 | 0 | 0 | 0 | 0 | 0 | 0 | 0 | 0 | 0 | 0 | 0 | 0 | 0 | 0 | 0 | 0 | 0 | 0 | 0 | 0 | 0 | 0 | 0 | 0 |   |
| SO | 0 | 1 | 0 | 5 | 1 | 0 | 1 | 5 | 1 | 0 | 1 | 5 | 1 | 0 | 1 | 5 | 1 | 0 | 1 | 5 | 1 | 0 | 1 | 5 | 1 | 0 | 1 | 5 | 1 | 0 | 1 | 5 | 1 | 0 | 1 | 5 | 1 | 0 | 1 |   |

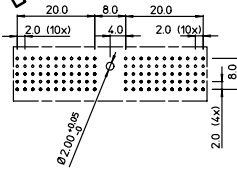
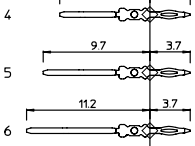
LOADED CONNECTOR ASSEMBLY  
 (FOR EXAMPLE)



CONTACT OVERVIEW

SEATING PLANE FOR CONNECTOR

LAY-OUT P.C.B.-HOLE



EUROPEAN PROTECTION

HM2P07PDT2E0= LF LEAD FREE INDICATOR : LF = LEAD FREE (DIGIT 15 & 16)

PLATING CODE (DIGIT 13 AND 14)  
 (REF DWG No. BS,C ,201844,003)

NOTES:

- THIS PRODUCT IS CSA APPROVED.
- THIS PRODUCT IS UL RECOGNIZED.
- MEASURED AT THE BOTTOM
- MATERIAL CONTACT : PHOSPHORBRONZE HOUSING : CREAM WHITE GLASSFILLED POLYESTER UL-94V0
- CONNECTOR PRINTED WITH P/N AND DATE CODE
- FOR ACTUAL CONTACT LOADINGS, SEE LOADING PATTERN MATING SIDE
- SHAPE OF CONNECTOR HOUSING CAN ALTER DEPENDING ON PRODUCTION LOCATION.
- THE PRODUCT (LF) MEETS EUROPEAN UNION DIRECTIVES AND OTHER COUNTRY REGULATIONS AS DESCRIBED IN GS-22-008
- FOR RECOMMENDED PTH DIMENSIONS REFER DRAWING : BS.A ,201572,001

|   |                           |                    |                  |                                       |
|---|---------------------------|--------------------|------------------|---------------------------------------|
| 1DEC ±0,2<br>2DEC ±0,1<br>ANGLES ±1°  | APPR.<br>DRAFT<br>CHECKED | DATE<br>2002-12-16 | SIGN.<br>M. Frei | MPACS 5R STR HDR CONN TYPE A          |
| WE RESERVE THE RIGHT TO CHANGE DIMENSIONS OR REQUIREMENTS WITHOUT PRIOR NOTICE.<br><br>ALL DIMENSIONS IN MM | PROD. MGR.                |                    |                  | CAT. No. HM2P07PDT2E0----             |
|   | PR. ENG. MGR.             |                    |                  | SCALE                                 |
|   | PR. MGT. MGR.             |                    |                  | FCI www.fciconnect.com                |
| REFERENCES  |                           |                    |                  | BS,C ,202788,261                      |
|   |                           |                    |                  | C                                     |
|   |                           |                    |                  | DRAWING No. CUSTOMER DRAWING REVISION |

THIS IS OUR EXCLUSIVE PROPERTY. IT IS NOT TO BE COPIED, REPRINTED OR DISCLOSED TO A THIRD PARTY, NOR USED FOR MANUFACTURING WITHOUT OUR WRITTEN CONSENT, AND HAS TO BE RETURNED TO US IN CASE OF NO USAGE

DIT IS ONZE EIGENDOM EN MAG NIET WERDEN, HERDRUKT, OVERNEMEN AN GEBODEN, NOCH VOOR FABRICATIE GEBRUIKT WORDEN, ZONDER ONZE SCHRIFTELIJKE TOELATING. DIT NIJET GEBRUIK IS TERUGZENDING VERPLICHT.