



Distributor of FCI: Excellent Integrated System Limited

Datasheet of DEV5W1S500M00LF - D-Sub Connector Receptacle, Female Sockets 5 (4 + 1 Power) Position Through Hole, Right Angle Solder

Contact us: sales@integrated-circuit.com Website: www.integrated-circuit.com

Excellent Integrated System Limited

Stocking Distributor

Click to view price, real time Inventory, Delivery & Lifecycle Information:

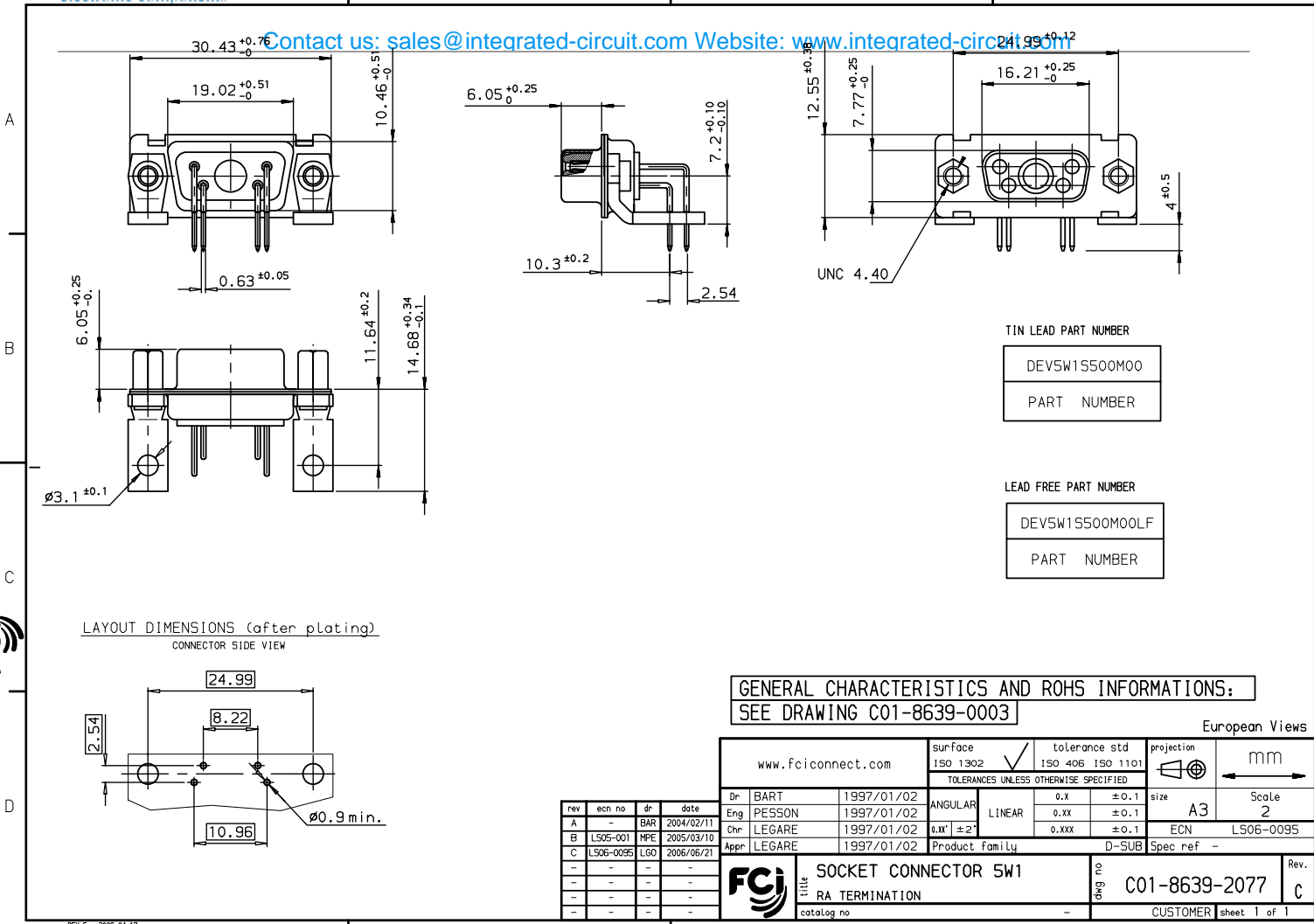
[FCI](#)

[DEV5W1S500M00LF](#)

For any questions, you can email us directly:

sales@integrated-circuit.com

Contact us: sales@integrated-circuit.com Website: www.integrated-circuit.com



GENERAL CHARACTERISTICS AND ROHS INFORMATIONS:
 SEE DRAWING C01-8639-0003

European Views

www.fciconnect.com		surface	tolerance std		projection	mm	
		ISO 1302	ISO 406 ISO 1101				
		TOLERANCES UNLESS OTHERWISE SPECIFIED					
Dr	BART	1997/01/02	ANGULAR	0.X	±0.1	size	
Eng	PESSON	1997/01/02	LINEAR	0.XX	±0.1	Scale	
Chr	LEGARE	1997/01/02	0.XXX	±2	±0.1	ECN	
Appr	LEGARE	1997/01/02	Product family		D-SUB	Spec ref	
		SOCKET CONNECTOR 5W1		C01-8639-2077		Rev.	
		RA TERMINATION		CUSTOMER		sheet 1 of 1	
		catalog no					

Copyright FCI. FCI

REV F - 2006-04-17