

Excellent Integrated System Limited

Stocking Distributor

Click to view price, real time Inventory, Delivery & Lifecycle Information:

[FCI](#)

[95706-020LF](#)

For any questions, you can email us directly:

sales@integrated-circuit.com



1 | 2

FCIconnect.com

3 |

4

PRODUCT NO. *95706-XXX	STAND OFF DIM "M" (mm)	SOLDER TAIL	DIM "P" (mm)	SHEET NO.	MOUNTING STYLE TO PCB
000	0	R/A	2.8	NO.2	TOP MOUNT 95706-0XX BLACK COLOR
000LF	0	R/A	2.8		
001	0	SMT STAGGERED	—/—		
002	0	SMT IN LINE	—/—		
010	4	R/A	2.8	NO.3	
020	5	R/A	2.8		
040	2	R/A	2.5		
010LF	4	R/A	2.8		
020LF	5	R/A	2.8		
040LF	2	R/A	2.5		
500	0	R/A	2.8	NO.4	BOTTOM MOUNT 95706-5XX
500LF	0	R/A	2.8		
501	0	SMT STAGGERED	—/—		
502	0	SMT IN LINE	—/—		
510	4	R/A	2.8	NO.5	NATURAL (WHITE) COLOR
520	5	R/A	2.8		
540	2	R/A	2.5		
510LF	4	R/A	2.8		
520LF	5	R/A	2.8		
540LF	2	R/A	2.5		

*95706-X X X X

- LEAD FREE LF
- SOLDER TAIL
- STAND OFF
- MOUNTING STYLE

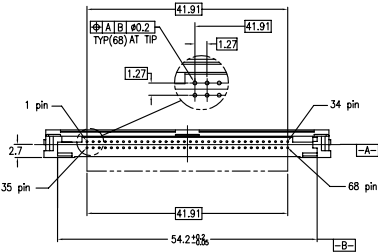
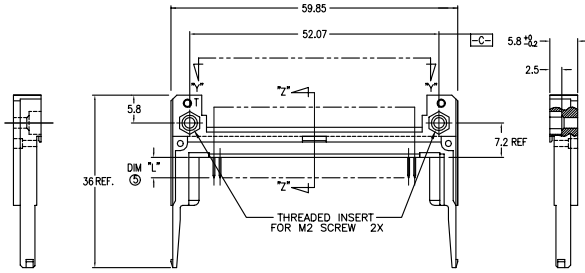
0 : R/A (FOR LOWER & SINGLE)
 1 : SMT STAGGERED (FOR LOWER ONLY)
 2 : SMT IN LINE (FOR LOWER ONLY)
 5 : R/A (FOR UPPER ONLY)

0 : 0mm
 1 : 4mm
 2 : 5mm
 4 : 2mm

0 : TOP MOUNTING
 5 : BOTTOM MOUNTING

mat'l. code	surface	tolerance	projection	product family
	ISD1302	ISD1101 ISD406		MCS
ltr ecn nldr date	tolerances unless otherwise specified		MM	title
B V00619 RGD 3/30/00	0.X±0.3			68 POS. EJECTOR HEADER ASSY.
C N05-0048 WB 05/29/03	0.XX±0.13		scale 1:1	FOR LOW VOLTAGE
D BX-W-01146 ZK 04/02/12	0±2	0.XXX±0.051		
dr S.DUESTERHOEF 7/20/95				dwg no 95706 sheet 1 of 5 size A4
enr D.BRANN 7/20/95				type Product Customer Drawing
chr D.BRANN 7/20/95				
appd D.BRANN 7/20/95				
sheet index	revision	D	D	D
1	2	3	4	5

PRODUCT NO.
95706-000/000LF
95706-001
95706-002

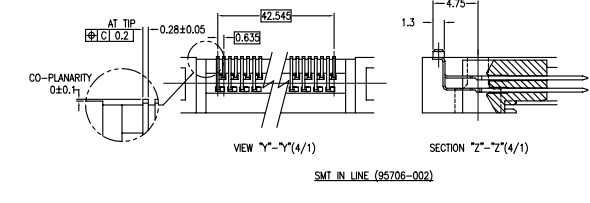
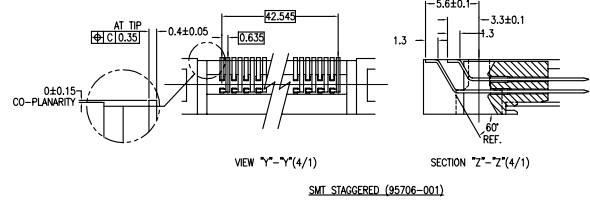
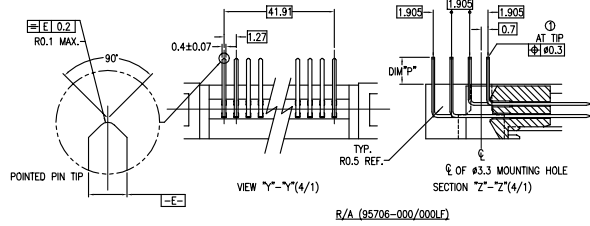


NOTES

- ① TRUE POSITION IS A FREE GRID TO PIN PATTERN ITSELF
- ② SEE TA-946 FOR PCB LAYOUT
- ③ MATERIAL
HOUSING : HIGH TEMPERATURE THERMOPLASTIC UL94V-0 BLACK
PIN : PHOSPHOR BRONZE
- ④ FINISH
PIN
UNDER PLATING : 0.5µm MIN. Ni
CONTACT AREA : 0.076 µm MIN. GOLD
SOLDER AREA(TIN LEAD OPTION): 2.5µm MIN. Sn-Pb
SOLDER AREA(LEAD FREE OPTION): 2.5µm MIN. PURE TIN
- ⑤ SEQUENCE PIN ASSIGNMENT

	DIM 'Y'	
	4.28±0.1	5.04±0.1
PIN No.	OTHERS 36.67	35.27±0.08

- 6 GENERAL TOLERANCE : ±0.3
- 7 IF LEAD FREE P/N. THE HOUSING WILL WITHSTAND EXPOSURE TO 260°C PEAK TEMPERATURE
SOLDER TAIL : SMT-IL, SMT-STG CAN RESIST 40 SECONDS IN A CONVECTION, INFRARED OR VAPOR PHASE REFLOW OVEN.
SOLDER TAIL : R/A CAN RESIST 10 SECONDS IN A WAVE SOLDER APPLICATION WITH A 1.00MM MINIMUM THICK CIRCUIT BOARD.
- 8 IF LEAD FREE P/N PACKAGING MEETS GS-14-920 SPECIFICATION
- 9 PRODUCT SPEC:110-263



A

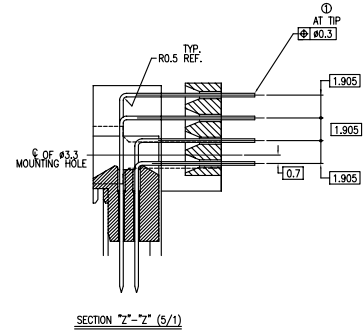
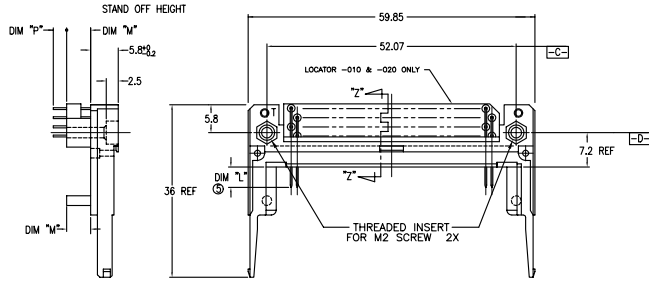
A

B

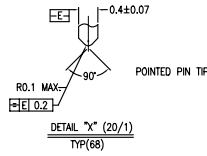
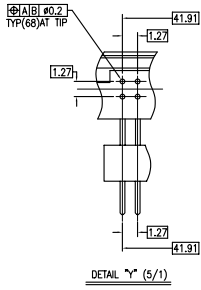
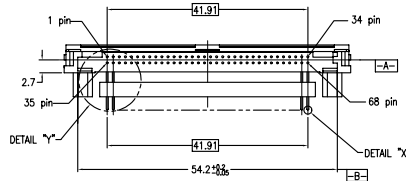
B

mat'l. code	surface ISD1302 ✓	tolerance ISD1101 ISD406	projection MM	product family MCS
tr/econ no/dt	tolerances unless otherwise specified		title 68 POS. EJECTOR HEADER ASSY. FOR LOW VOLTAGE	
D	angle 0°±2'	0.XX±0.3 0.XX±0.13 0.XXX±0.051	scale 1:1	dwg no 95706
	dr S.DUESTERHOEFT 7/20/95	engr D.BRANN 7/20/95	sheet 2 of 5 size A4	
	chr D.BRANN 7/20/95	appd D.BRANN 7/20/95	type Product Customer Drawing	
sheet index	revision sheet			

PRODUCT NO.
95706-010/010LF
95706-020/020LF
95706-040/040LF



SECTION "Z"-Z" (5/1)

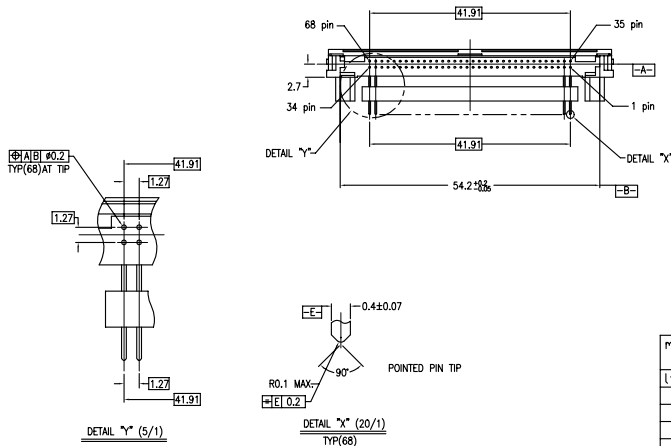
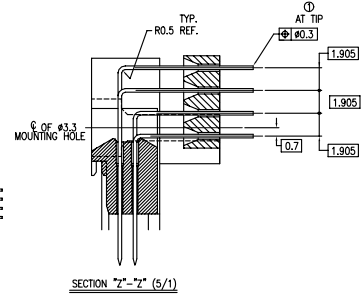
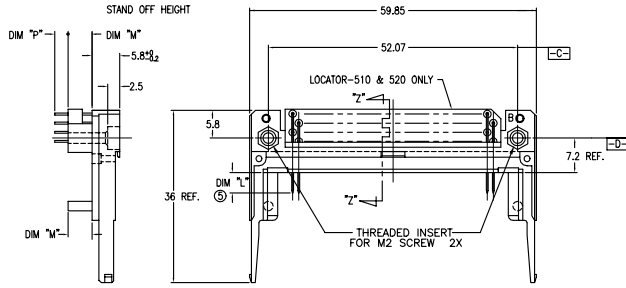


NOTES

- 1 TRUE POSITION IS A FREE GRID TO PIN PATTERN ITSELF.
- 2 SEE TA-946 FOR PCB LAYOUT.
- 3 MATERIAL : HIGH TEMPERATURE THERMOPLASTIC UL94V-0 BLACK
PIN : PHOSPHOR BRONZE.
- 4 FINISH : UNDER PLATING : 0.5µm MIN. NI.
CONTACT AREA : 0.076 µm MIN. GOLD
- 5 SOLDER AREA(TIN LEAD OPTION): 2.5µm MIN. Sn-Pb
SOLDER AREA(LEAD FREE OPTION): 2.5µm MIN. PURE TIN
- 6 SEQUENCE PIN ASSIGNMENT
- 7 GENERAL TOLERANCE : ±0.3
- 8 IF LEAD FREE P/N, THE HOUSING WILL WITHSTAND EXPOSURE TO 260°C PEAK TEMPERATURE
SOLDER TAIL : SMT-L, SMT-STG CAN RESIST 40 SECONDS IN A CONVECTION, INFRARED OR VAPOR PHASE REFLOW OVEN.
SOLDER TAIL : R/A CAN RESIST 10 SECONDS IN A WAVE SOLDER APPLICATION WITH A 1.00MM MINIMUM THICK CIRCUIT BOARD.
- 9 IF LEAD FREE P/N PACKAGING MEETS GS-14-920 SPECIFICATION
- 9 PRODUCT SPEC:110-263

mat'l. code	surface ISD1302 ✓	tolerance ISO1101 ISO406	projection MM	product family MCS
tr/ecn nbar date	tolerances unless otherwise specified	angles 0°±2'	scale 1:1	title 68 POS. EJECTOR HEADER ASSY. FOR LOW VOLTAGE
D	0.X±0.3	0.XX±0.13		dwg no 95706
	0.XXX±0.051			sheet 3 of 5 size A4
	dr S.DUESTERHOEFT 7/20/95	engr D.BRANN 7/20/95		Product Customer Drawing
	chr D.BRANN 7/20/95	appd D.BRANN 7/20/95		
sheet index	revision sheet			

PRODUCT NO.
95706-510/510LF
95706-520/520LF
95706-540/540LF



NOTES

- TRUE POSITION IS A FREE GRID TO PIN PATTERN ITSELF
 - SEE TA-946 FOR PCB LAYOUT
 - MATERIAL
HOUSING : HIGH TEMPERATURE THERMOPLASTIC UL94V-0 NATURAL
PIN : PHOSPHOR BRONZE
 - FINISH
PIN
UNDER PLATING : 0.5µm MIN. Ni
CONTACT AREA : 0.076 µm MIN. GOLD
SOLDER AREA(TIN LEAD OPTION): 2.5µm MIN. Sn-Pb
SOLDER AREA(LEAD FREE OPTION): 2.5µm MIN. PURE TIN
 - SEQUENCE PIN ASSIGNMENT
- | | DIM "L" | DIM "L" |
|---------|----------|---------|
| PIN No. | 4.25±0.1 | 5.0±0.1 |
| OTHERS | 36.67 | 36.67 |
- GENERAL TOLERANCE : ±0.3
 - IF LEAD FREE P/N. THE HOUSING WILL WITHSTAND EXPOSURE TO 260°C PEAK TEMPERATURE
 - SOLDER TAIL : SMT-IL, SMT-STC CAN RESIST 40 SECONDS IN A CONNECTION, INFRA-RED OR VAPOR PHASE REFLOW OVEN.
 - SOLDER TAIL : R/A CAN RESIST 10 SECONDS IN A WAVE SOLDER APPLICATION WITH A 1.00MM MINIMUM THICK CIRCUIT BOARD.
 - IF LEAD FREE P/N PACKAGING MEETS GS-14-920 SPECIFICATION
 - PRODUCT SPEC:110-263

mat'l. code	surface ISD1302 ✓	tolerance ISD1101 ISD406	projection	product family MCS
tr/ecn nbar date	tolerances unless otherwise specified			
D	angle 0.X±0.3		MM	68 POS. EJECTOR HEADER ASSY. FOR LOW VOLTAGE
	0°±2'	0.XXX±0.051	scale 1:1	dwg no 95706 sheet 5 of 5 size A4
	dr S.DUESTERHOEFT 7/20/95			type Product Customer Drawing
	engr D.BRANN 7/20/95			
	chr D.BRANN 7/20/95			
	appd D.BRANN 7/20/95			
sheet index	revision sheet			