

## Excellent Integrated System Limited

Stocking Distributor

Click to view price, real time Inventory, Delivery & Lifecycle Information:

[FCI](#)

[94104-064LF](#)

For any questions, you can email us directly:

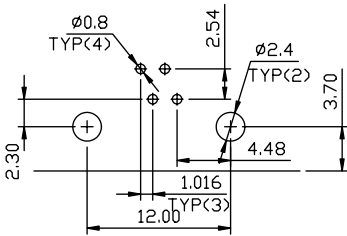
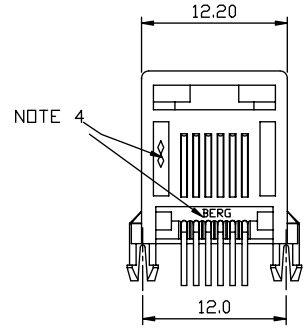
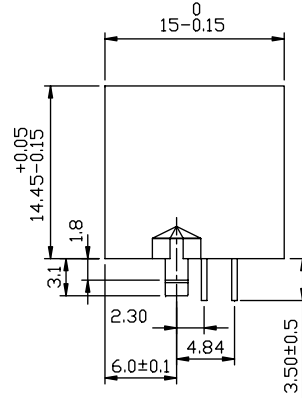
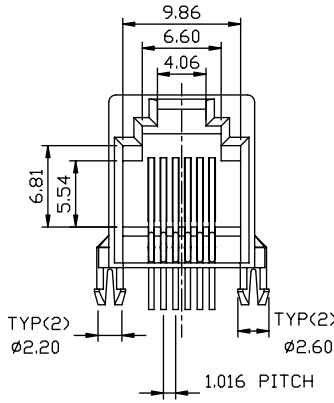
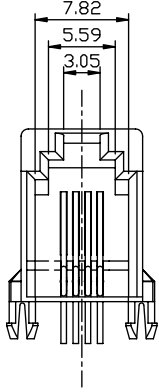
[sales@integrated-circuit.com](mailto:sales@integrated-circuit.com)

PRODUCT NO.	CONDUCTOR TYP. OF POS.	CONDUCTOR ASSY POS. NO.
94104-x66(LF)	6/6	1,2,3,4,5,6
94104-x64(LF)	6/4	2,3,4,5
94104-x62(LF)	6/2	3,4
94104-x62I(LF)	6/2	1,6
94104-x44(LF)	4/4	1,2,3,4
94104-x42(LF)	4/2	2,3

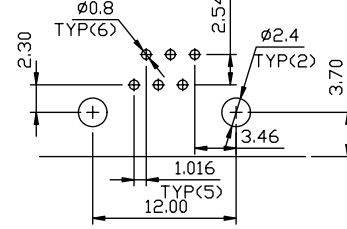
**NOTE:**

- FOR VISUAL MECHANICAL AND FUNCTIONAL REQUIREMENTS SEE PRODUCT SPEC.110-042.
- HOUSING MAT'L:GLASS REINFORCED 66 NYLON ZYTEL-50. UL-94V-0
- GOLD WIRE MAT'L:PHOS. BRONZE 0.44 DIA. PLATING:SEE TABLE.
- A. STANDARD PACKAGING METHOD(KUSE TRAY)SEE GES-14-351.  
B. NON-STANDARD PACKAGING METHOD(KUSE TUBE) SEE GES-14-358 THE PART NO. SHOULD BE SUFFIXED WITH "T".
- IF LF P/N THE HOUSING WILL WITHSTAND EXPOSURE TO 260°C PEAK TEMPERATURE FOR 10 SECONDS IN A WAVE SOLDER APPLICATION WITH A 1.60MM MINIMUM THICK CIRCUIT BOARD

CODE*X*	PLATING	HOUSING COLOR
0	6u" Au 20u" Min NICKEL UNDERPLATED	GRAY
1	2u" Au 20u" Min NICKEL UNDERPLATED	
2	6u" Au 20u" Min NICKEL UNDERPLATED	BLACK
3	2u" Au 20u" Min NICKEL UNDERPLATED	



RECOMMENDED P.C.B.(063 THK) PATTERN---4POS



RECOMMENDED P.C.B.(063 THK) PATTERN---6POS

mat'l. code		tolerances unless otherwise specified		CUSTOMER COPY		FCI	
ltr	ecn no	dr	date	linear	.x ± 0.3	projection	title
C	N05-0126	ZC	5/11/05		.xx ± 0.13		LOW PROFILE MOD JACK PCB WITHOUT PANEL STOP GOLD FLASH
D	N06-0160	LONG	6/14/06		.xxx ± 0.05		product family
E	N06-0232	LONG	9/01/06	angles	±		Module Jack
				dr	Zhengcai Tao	5/11/05	code
				enr	Zhengcai Tao	5/11/05	size
				chr	Zhengcai Tao	5/11/05	dwg no
				appd	Jason Zhou	5/11/05	scale
sheet	revision						MM/INCH
index	sheet						1:1
							A3
							94104
							sheet 1 of 1