

Excellent Integrated System Limited

Stocking Distributor

Click to view price, real time Inventory, Delivery & Lifecycle Information:

[FCI](#)
[HM2P08PDF2M0N9](#)

For any questions, you can email us directly:
sales@integrated-circuit.com

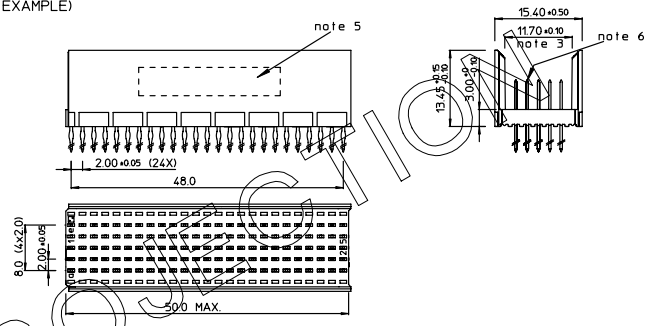
BS.C	201843.749	D	GEN. ST.	01	02	03	04	05	06	07	08	0D	50	60	70	80	90																	
			INT. ST.	10	11	12	13	14	18	20	31	32	33	34	38	39	40	42	43	44	45	46	48	56	70	72	73	75	76	81	82	83	84	88

REV	DATE	DESCRIPTION	BY	C 'K' 'D'
A	2001-09-14	CONVERSION REVISION 02	KN	
B	2002-05-28	EC 820886	WF	
C	2005-11-04	105-0216	VIVEK	BWP
D	2006-07-28	106-0112	VIVEK	BWP

LOADING PATTERN MATING SIDE

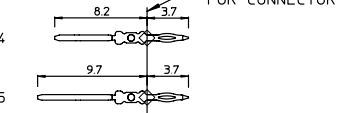
f	0	0	0	0	0	0	0	0	0	0	0	0	0	0	0	0	0	0	0	0	0
e	5	5	5	5	5	5	5	5	5	5	5	5	5	5	5	5	5	5	5	5	5
d	5	5	5	5	5	5	5	5	5	5	5	5	5	5	5	5	5	5	5	5	5
c	5	5	5	5	5	5	5	5	5	5	5	5	5	5	5	5	5	5	5	5	4
b	5	5	5	5	5	5	5	5	5	5	5	5	5	5	5	5	5	5	5	5	5
a	5	5	5	5	5	5	5	5	5	5	5	5	5	5	5	5	5	5	5	5	5
Z	0	0	0	0	0	0	0	0	0	0	0	0	0	0	0	0	0	0	0	0	0
SOP	0	1	0	5	1	5	2	5													

LOADED CONNECTOR ASSEMBLY (FOR EXAMPLE)

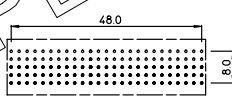


SHEET NR. : 840

CONTACT OVERVIEW



LAY-OUT P. C. B. -HOLE



HM2P08PDF2M0N9
 LEAD FREE INDICATOR : LF = LEAD FREE (DIGIT 15 & 16)
 PLATING CODE (DIGIT 13 AND 14) (REF DWG No. BS.C .201844.003)

- NOTES:
- THIS PRODUCT IS CSA APPROVED.
 - THIS PRODUCT IS UL RECOGNIZED.
 - MEASURED AT THE BOTTOM.
 - MATERIAL CONTACT: PHOSPHORBRONZE
HOUSING: CREAM WHITE GLASSFILLED POLYESTER UL-94V0
 - CONNECTOR PRINTED WITH P/N AND DATE CODE
 - FOR ACTUAL CONTACT LOADINGS, SEE LOADING PATTERN MATING SIDE
 - SHAPE OF CONNECTOR HOUSING CAN ALTER DEPENDING ON PRODUCTION LOCATION.
 - THE PRODUCT (LF) MEETS EUROPEAN UNION DIRECTIVES AND OTHER COUNTRY REGULATIONS AS DESCRIBED IN GS-22-008
 - FOR RECOMMENDED PTH DIMENSIONS REFER DRAWING : BS.A .201572.001

THIS IS OUR EXCLUSIVE PROPERTY. IT IS NOT TO BE COPIED, REPRINTED OR DISCLOSED TO A THIRD PARTY...
 DIT IS ONSZE EIGENDOM EN MAG NIET NAGEBAKT, HERDRUKT, OVERGEHAKT AAN DERDEN, NIET VOOR FABRIKANTE GEBRUIKT WORDEN, ZONDER ONSZE SCHRIFTELIJKE TOELATING. BIJ NIET GEBRUIK IS TERUGGEGANGEN VOOR ONS.

1DEC ±0.2 2DEC ±0.1 ANGLES ±1°	APPR. DATE SIGN.	LOADING PATTERN OVERVIEW	
	DRAFT 1999-05-20 M.Fret	CAT. No.	HM2P08PDF2M0----
WE RESERVE THE RIGHT TO CHANGE DIMENS IONS OR REQA/REMENTS WITHOUT PRIOR NOTICE	CHECKED	FCJ	www.fciconnect.com
ALL DIMENSIONS IN MM	PROD. MGR PR. ENG. MGR PR. MGT. MGR	REFERENCES	SCALE
		BS.C .201843.749	D
		STATUS: Released	CUSTOMER DRAWING REVISION

PDM: Rev:D