

Excellent Integrated System Limited

Stocking Distributor

Click to view price, real time Inventory, Delivery & Lifecycle Information:

[FCI](#)
[HM2P07PDJ2H1N9LF](#)

For any questions, you can email us directly:
sales@integrated-circuit.com

BS.C .201843.890

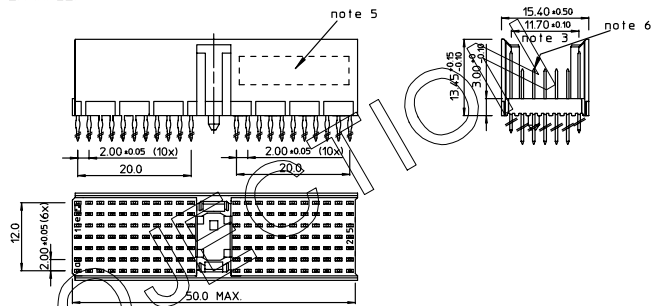
D	GEN. ST.	01	02	03	04	05	06	07	08	0D	50	60	70	80	90
	INT. ST.	10	11	12	13	14	18	20	31	32	33	34	38	39	40
		42	43	44	45	46	48	56	70	72	73	75	76	81	82
		83	84	88											

REV	DATE	DESCRIPTION	BY	C'K'D'
A	2001-09-14	CONVERSION REVISION 02	KLN	
B	2002-05-28	EC 820086	WF	
C	2005-10-05	105-9184	ALEX B	BWP
D	2006-08-02	106-9118	ALEX B	BWP

LOADING PATTERN MATING SIDE

f	6	6	6	6	6	6	6	6	6	6	6	6	6	6	6	6	6	6	6
e	5	5	5	5	5	5	5	5	5	5	5	5	5	5	5	5	5	5	5
d	5	5	5	5	5	5	5	5	4	4	5	5	5	5	5	5	5	5	5
c	5	5	5	5	5	5	5	5	5	5	5	5	5	5	5	5	5	5	5
b	5	5	5	5	5	5	5	5	5	5	5	5	5	5	5	5	5	5	5
a	5	5	5	5	5	5	5	5	5	5	5	5	5	5	5	5	5	5	5
Z	6	6	6	6	6	6	6	6	6	6	6	6	6	6	6	6	6	6	6
SOP	0	1	5	0	1	5	2	0	5	2	5								

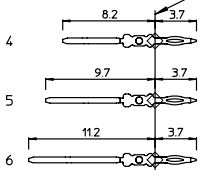
LOADED CONNECTOR ASSEMBLY
(FOR EXAMPLE)



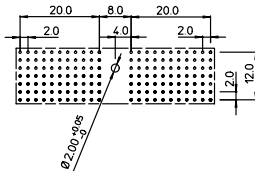
SHEET NR. : 973

CONTACT OVERVIEW

SEATING PLANE FOR CONNECTOR



LAY-OUT P. C. B. -HOLE



PLATING TABLE

LEAD FREE INDICATOR : LF = LEAD FREE (DIGIT 15 & 16)
 HM2P07PDJ2H1 **C=**
 PLATING CODE (DIGIT 13 AND 14)
 (REF DWG No. BS.C .201844.003)

NOTES:

1. THIS PRODUCT IS CSA APPROVED.
2. THIS PRODUCT IS UL RECOGNIZED.
3. MEASURED AT THE BOTTOM.
4. MATERIAL CONTACT: PHOSPHORBRONZE
 HOUSING: CREAM WHITE GLASSFILLED POLYESTER UL-94V0
5. CONNECTOR PRINTED WITH P/N AND DATE CODE.
6. FOR ACTUAL CONTACT LOADINGS, SEE LOADING PATTERN MATING SIDE.
7. SHAPE OF CONNECTOR HOUSING CAN ALTER DEPENDING ON PRODUCTION LOCATION.
8. THE PRODUCT (LF) MEETS EUROPEAN UNION DIRECTIVES AND OTHER COUNTRY REGULATIONS AS DESCRIBED IN GS-22-008
9. FOR RECOMMENDED PTH DIMENSIONS REFER DRAWING : BS.A .201572.001

EUROPEAN PROTECTOR

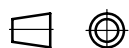
1DEC ±0.2 2DEC ±0.1 ANGLES ±1°	APPR.	DATE	SIGN.	LOADING PATTERN OVERVIEW
	DRAFT	1999-12-27	M.Fre	CAT. No. HM2P07PDJ2H1----
WE RESERVE THE RIGHT TO CHANGE DIMENS (ONS) OR REQA/REMENTS WITHOUT PRIOR NOTICE.	CHECKED			FCJ www.fciconnect.com
ALL DIMENSIONS IN MM	PROD. MGR			SCALE
	PR. ENG. MGR			
	PR. MGT. MGR			

REFERENCES

BS.C .201843.890	D
------------------	---

THIS IS OUR EXCLUSIVE PROPERTY. IT IS NOT TO BE COPIED, REPRINTED OR DISCLOSED TO A THIRD PARTY. NOT USED FOR MANUFACTURING WITHOUT OUR WRITTEN CONSENT, AND HAS TO BE RETURNED TO US IN CASE OF NO USAGE.

DIT IS ONZE EIGENDOM EN MAG NIEMAND. HERDRUKT, OVERNAMEKT AAN DERDE, MOET VOOR FABIKAATJE GEBRUIKT WORDEN, ZONDER ONZE SCHRIFTELIJKE TOELATING. BIJ NIET GEBRUIK IS TERUGZENDING VERPLIJT.



PDM: Rev:D STATUS: Released CUSTOMER DRAWING REVISION