

## Excellent Integrated System Limited

Stocking Distributor

Click to view price, real time Inventory, Delivery & Lifecycle Information:

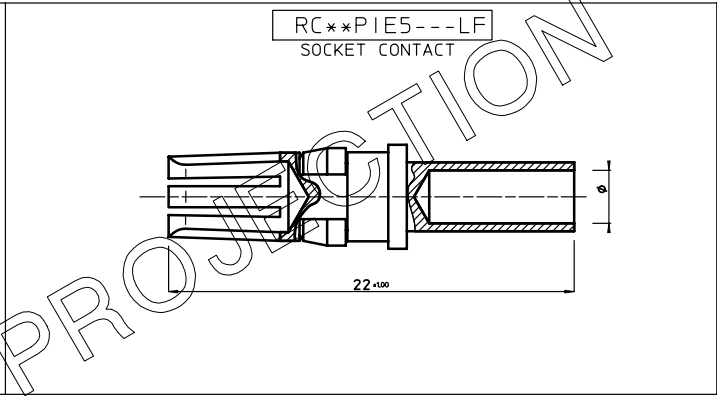
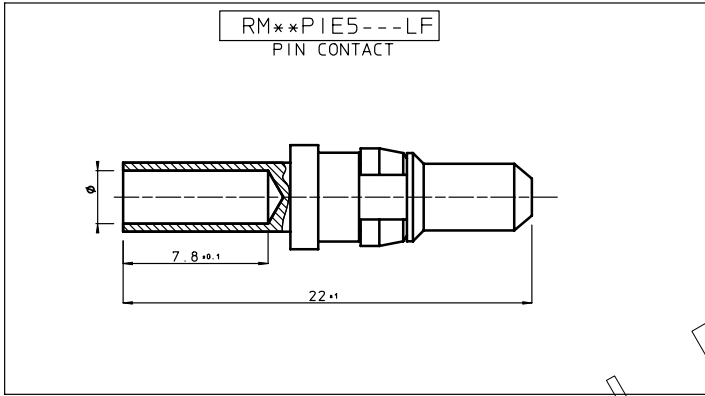
[FCI](#)  
[RC12PIE52ERPLF](#)

For any questions, you can email us directly:  
[sales@integrated-circuit.com](mailto:sales@integrated-circuit.com)

BS.C. 201624.001

GEN. ST.	01	02	03	04	05	06	07	08	0D	50	60	70	80	90																	
INT. ST.	10	11	12	13	14	18	20	31	32	33	34	38	39	40	42	43	44	45	46	48	56	70	72	73	75	76	81	82	83	84	88

REV.	DATE	DESCRIPTION	BY	C 'K' 'D'
A	2001-09-14	CONVERSION REVISION 03	KN	
B	2005-11-21	105-0246	ALEX B	BKP
C	2006-07-03	106-0095	VIVEK	BKP



CATALOGUE NUMBER	WIRE SIZE		MAX CURRENT	STRIP LENGTH (MM)	CRIMP TOOLS			
	AWG	MM <sup>2</sup>			M10S1	M50F012		
R*16PIE5---LF	16	1.3	1.7	10 A	6.4	DIESET	STOP	
R*12PIE5---LF	12	4.0	2.8	20 A	8.5	S16E1	SL19E1	N° 1
R*10PIE5---LF	10	6.0	3.5	30 A	8.5	S16E2	SL19E1	N° 3

PLATING CODE

**PERFORMANCE CHARACTERISTICS**

- INSERTION FORCE: 10 N MAX.
- WITHDRAWAL FORCE: 1.6 N MIN.
- CONTACT RESISTANCE: < 1mΩ UNDER 10 A

- NOTE: 1. FOR MISSING INFO SEE DRAWING BS.C. 201624.028  
 2. THE PRODUCT (LF) MEETS EUROPEAN UNION DIRECTIVES AND OTHER COUNTRY REGULATIONS AS DESCRIBED IN GS-22-008

THIS IS OUR EXCLUSIVE PROPERTY. IT IS NOT TO BE COPIED, REPRINTED OR DISCLOSED TO A THIRD PARTY, FOR USE FOR MANUFACTURING WITHOUT OUR WRITTEN CONSENT, AND HAS TO BE RETURNED TO US IN CASE OF NO USAGE

DIT IS ONZE EIGENDOM EN MAG NIET VERMAAKT, HERMAAKT, OVERDRAAKT AN OF DISCLOSED TO A DERDE PARTIJ, VOOR TOEGEVOEGDE WERKZAAK, ZONDER ONZE SCHRIFTELIJKE TOELATING. BIJ NIET GERUUKTE IS TERUGZENDING VERPLICHT.

1DEC ±0.2 2DEC ±0.1 ANGLES ±1°	<b>APPR.</b>	<b>DATE</b>	<b>SIGN.</b>	MALE/FEMALE POWER CONTACTS (CRIMP CONTS.)
	DRAFT	1993-05-05	W.P.	<b>CAT. No.</b> R---PIE5---LF
	CHECKED			<b>FCI</b> www.fciconnect.com
	PROD. MGR.			SCALE 5/1
	PR. ENG. MGR.			
	PR. MGT. MGR.			
<b>REFERENCES</b>				
ALL DIMENSIONS IN MM				BS.C. 201624.001
DRAWING No.				C
CUSTOMER DRAWING				REVISION
Printed: Dec 01, 2007				

PDM: Rgv.C

STATUS: Released

Printed: Dec 01, 2007